

# INTERNATIONAL AEROBATIC CLUB SCORESHEET

# A

Contest:	Date: 2023	Category: Power Unlimited	Programme: Known	pilot's number	
----------	---------------	------------------------------	---------------------	----------------	--

No	Symbol	Cat. No.	K	Total K	Grade	Remarks
1		8.6.4.1 9.10.6.2 9.4.3.4 9.1.3.3 9.8.3.1	14 19 11 6 3	53	SF 7	
2		6.2.1.1 9.8.1.1 9.9.5.3	15 7 11	33	SF 6	
3		8.8.6.1 9.1.1.3 9.10.5.3 9.1.1.1 9.1.1.2	21 10 13 6 8	58	SF 7	
4		8.6.4.3 9.1.1.5 9.10.5.2 9.4.3.2 9.1.3.4	13 4 13 5 8	43	SF 7	
5		2.3.2.1	34	34	SF 2	
6		8.4.2.2 9.1.5.5	17 9	26	SF 7	
7		5.2.1.1 9.10.6.3 9.1.5.3	17 19 6	42	SF 5	
8		7.5.2.1 9.2.3.4 9.10.4.6 9.8.3.1 9.1.3.5	15 9 16 3 9	52	SF 7	
9		7.2.1.4 9.10.3.4 9.1.3.4 9.1.3.8	6 13 8 12	39	SF 7	

Item	K	Score
<b>Presentation</b>	40	

FIGURE TOTAL K = 380

INC. PRESENTATION = 420

Aircraft type:

FREE PROGRAM CHECKED BY:

Signature:	Printed Name:	Date:
IAC No:		

Judge Name:

IAC #

Assistant Name:

IAC #



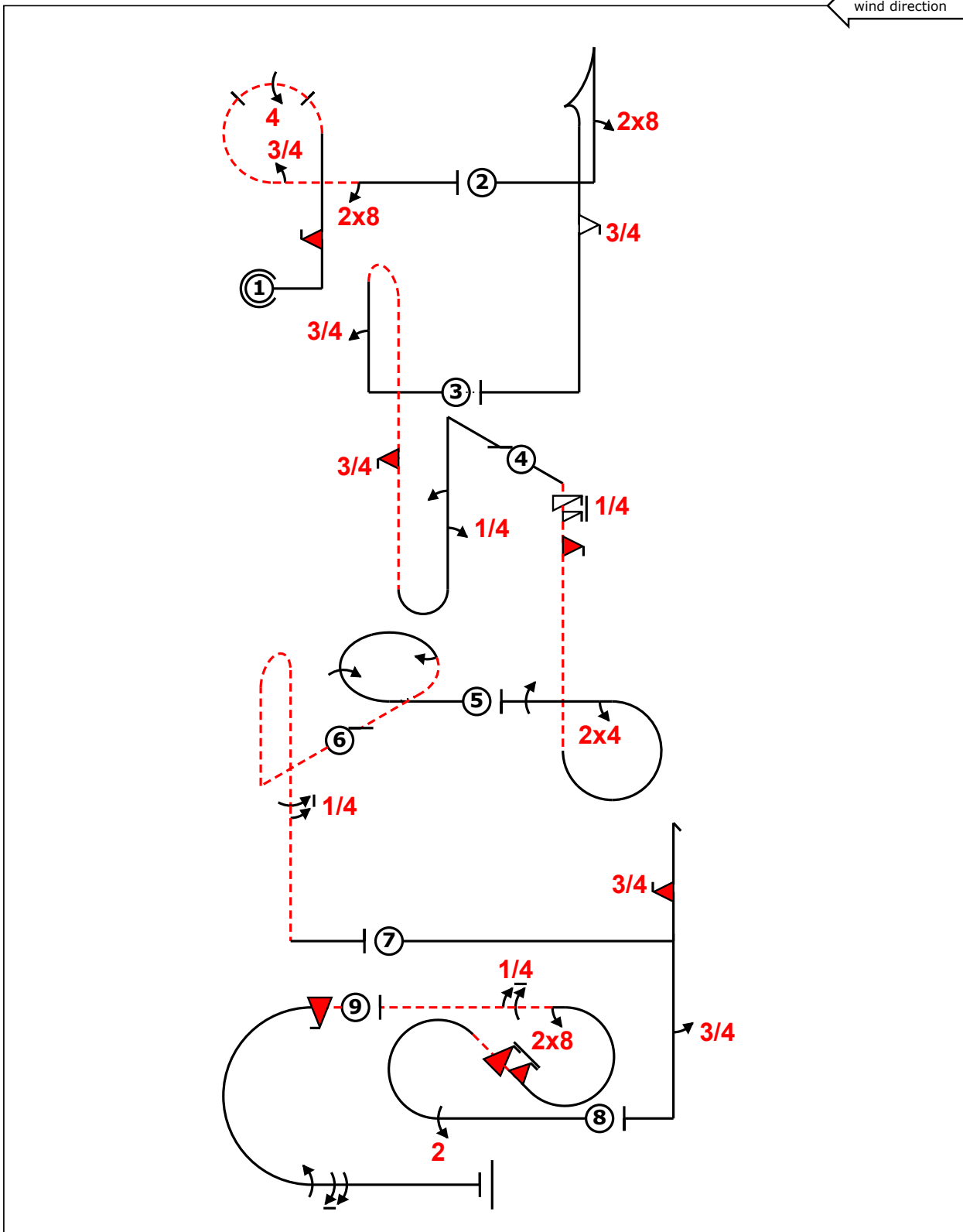
\_\_\_\_\_ Pilot  
 ..... A/C



<b>B</b>	Contest:	Category: Power Unlimited
	Date: 2023	Program: Known

Pilot: .....

wind direction ←



A/C: .....

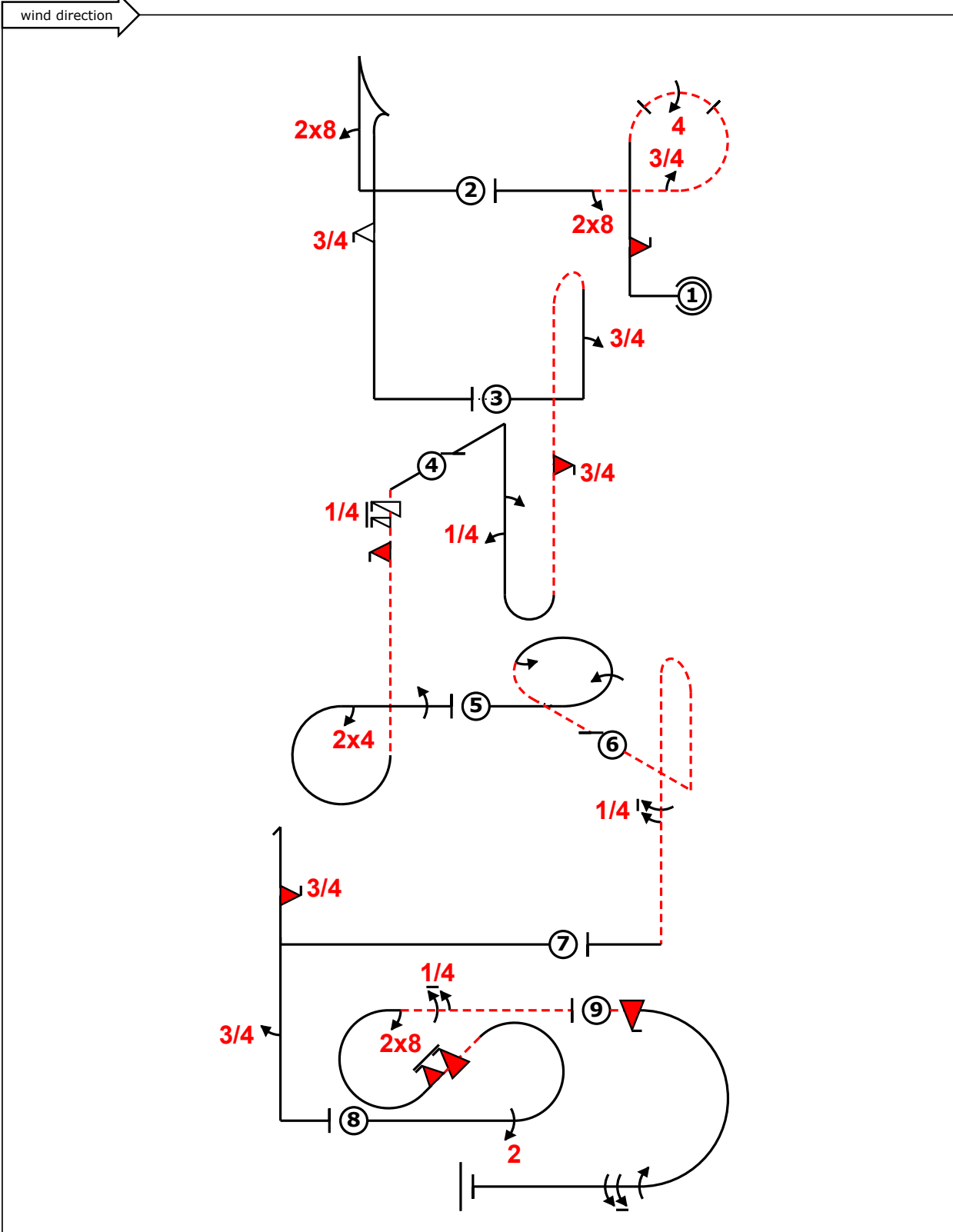
(signature/date) .....

FREE PROGRAM CHECK BY: .....



<b>C</b>	Contest:	Category: Power Unlimited
	Date: 2023	Program: Known
		Pilot's No. <input type="text"/>

Pilot: .....



A/C: .....

(signature/date) .....

FREE PROGRAM CHECK BY: .....