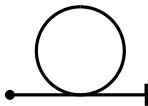
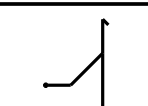

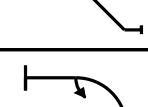
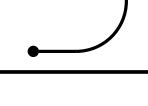
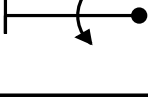
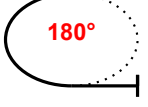
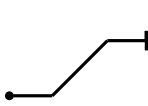

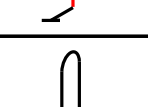


INTERNATIONAL AEROBATIC CLUB SCORESHEET										
A	Contest:				Date:	Category:	Programme:	pilot's number		
					2023	Power Sportsman	Known			
No	Symbol	Cat. No.	K	Total K	Grade	Remarks	Item	K	Score	
1		7.4.1.1	10	10	SF 7		Presentation	10		
2		5.3.1.1	18	18	SF 5		FIGURE TOTAL K =		120	
3		1.2.7.1 9.4.4.2	13 5	18	SF 7		INC. PRESENTATION =		130	
4		7.2.2.1 9.1.3.2	6 4	10	SF 7		Aircraft type:			
5		1.1.1.1 9.1.3.4	2 8	10	SF 7		FREE PROGRAM CHECKED BY: Signature: _____ Printed Name: _____ IAC No: _____ Date: _____			
6		2.2.1.1	4	4	SF 2			Judge Name:		
7		1.1.2.1	7	7	SF 7			IAC #		
8		1.1.6.3 9.11.1.5	10 4	14	SF 3			Assistant Name:		
9		8.4.1.1 9.1.5.1	13 2	15	SF 7			IAC #		
10		8.5.6.1 9.1.4.2	10 4	14	SF 7					



Pilot

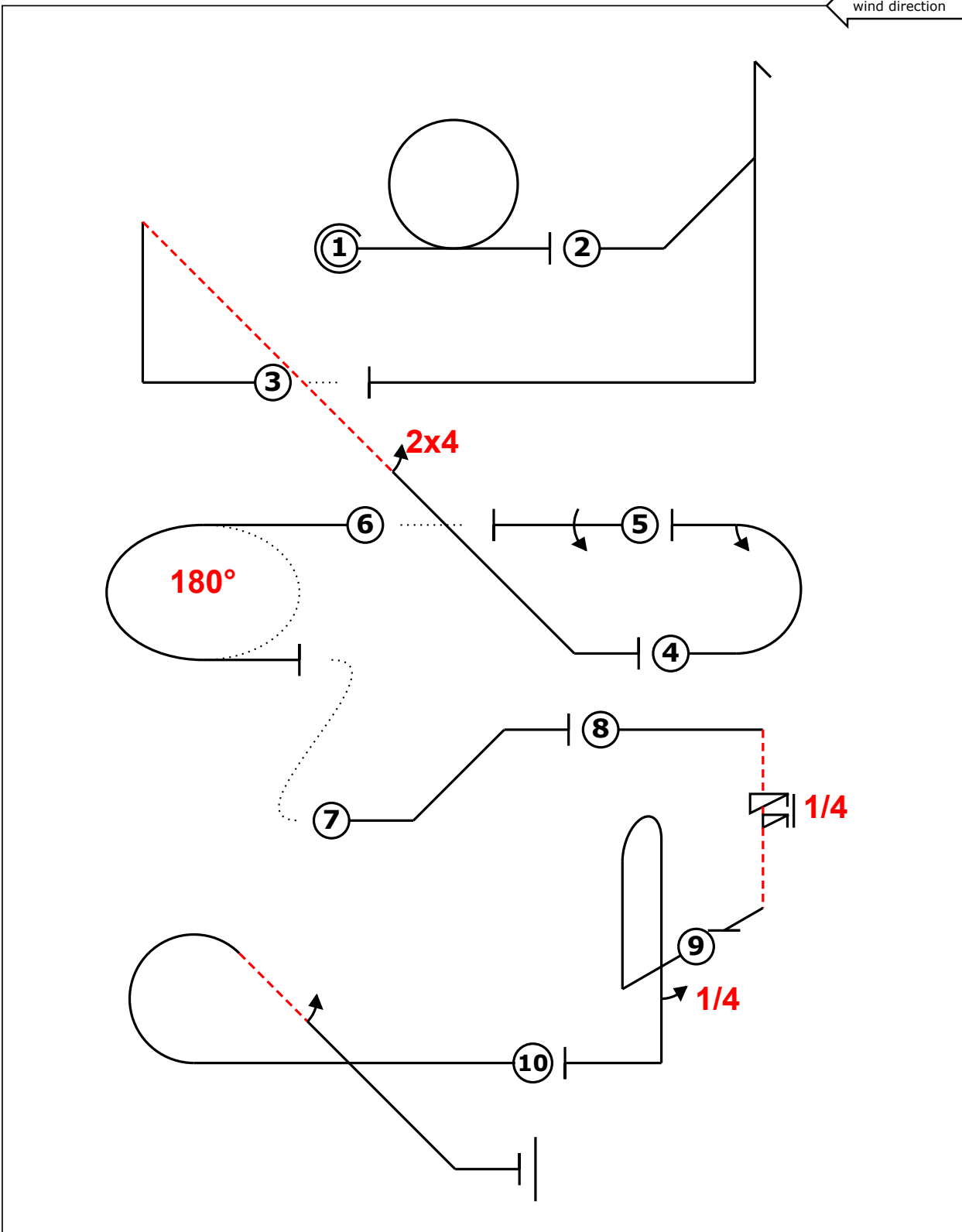
A/C



B	Contest:	Category:
	Date: 2023	Program: Known
		Pilot's No. <input type="text"/>

Pilot:

wind direction ←



A/C:

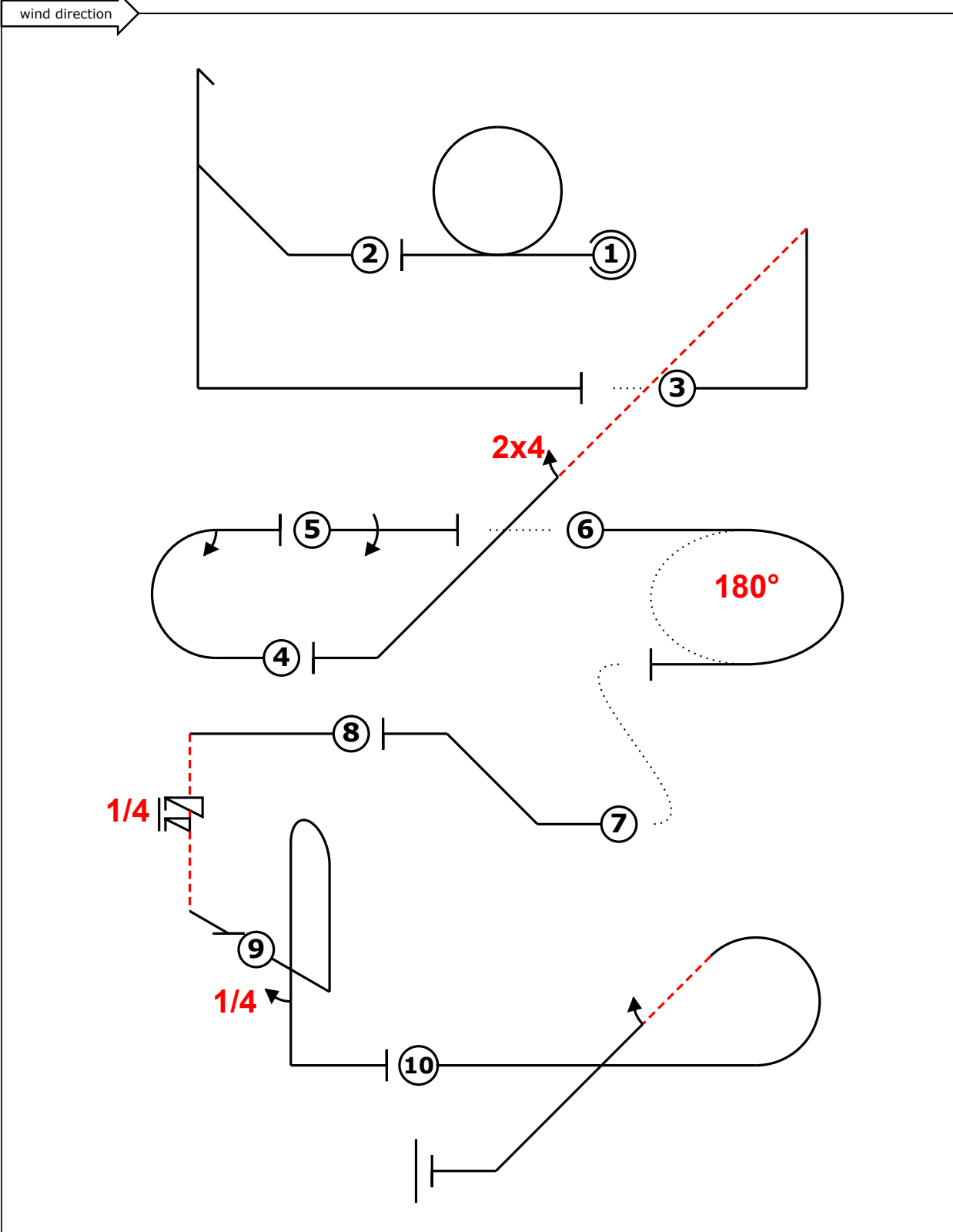
(signature/date)

FREE PROGRAM CHECK BY:



C	Contest:	Category: Power Sportsman	
	Date: 2023	Program: Known	Pilot's No. <input type="text"/>

Pilot:



A/C:

(signature/date)

FREE PROGRAM CHECK BY: