

INTERNATIONAL AEROBATIC CLUB SCORESHEET

<b>A</b>	Contest:	Date:	Category: <b>Unlimited</b>	Programme: <b>Unknown</b>	pilot's number	

No	Symbol	Catalogue No.	K	Total K	Grade	Remarks	Item	K	Score		
1		7.8.7.1 9.1.2.4 9.9.2.2 9.2.2.4 9.4.3.2 9.4.3.2	21 10 13 11 5 5	65			<b>Presentation</b>	<b>20</b>			
2		8.6.7.2 9.1.3.2 9.4.3.4 9.1.5.1 9.1.5.3	12 4 11 2 6	35							
3		1.2.7.1 9.9.1.4 9.1.4.6	13 15 10	38							
4		5.3.2.1 9.1.2.2 9.8.1.1 9.10.5.2	24 6 7 13	50							
5		1.1.7.1 9.9.1.3	9 15	24							
6		2.4.6.2	45	45							
7		7.2.2.4 9.1.3.4 9.1.3.2 9.1.3.4	7 8 4 8	27							
8		6.2.2.4 9.4.1.3 9.10.5.3	17 12 13	42							
9		7.2.2.1 9.1.3.2 9.4.3.2 9.1.3.5 9.1.3.3	6 4 5 9 6	30							
10		8.6.7.3 9.1.3.2 9.1.1.3 9.1.1.1	12 4 10 6	32							
11		1.1.1.2 9.2.3.4	3 9	12							

FIGURE TOTAL K = **400**

INCLUDING PRESENTATION = **420**

Aircraft Type:

FREE PROGRAM CHECKED BY:

Signature:	Printed Name:	Date:
		IAC No.

Judge Name:

IAC#

Assistant Name:

IAC#



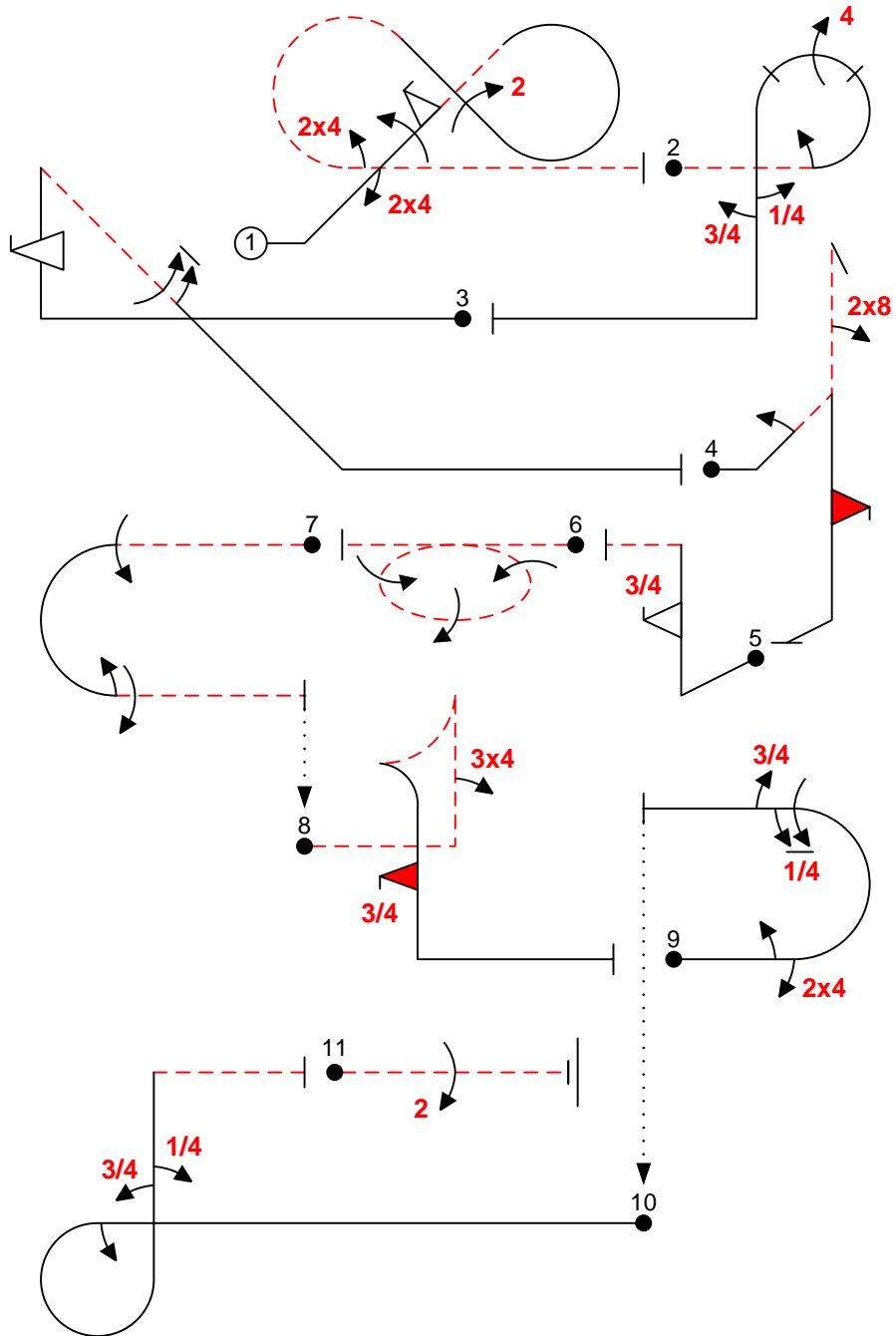
Pilot NAC



<b>B</b>	Contest:	Category: <b>Unlimited</b>	
	Date:	Program: <b>Unknown</b>	Pilot's No. <input type="text"/>

wind direction

Pilot  
NAC



A/C:

(signature/date)

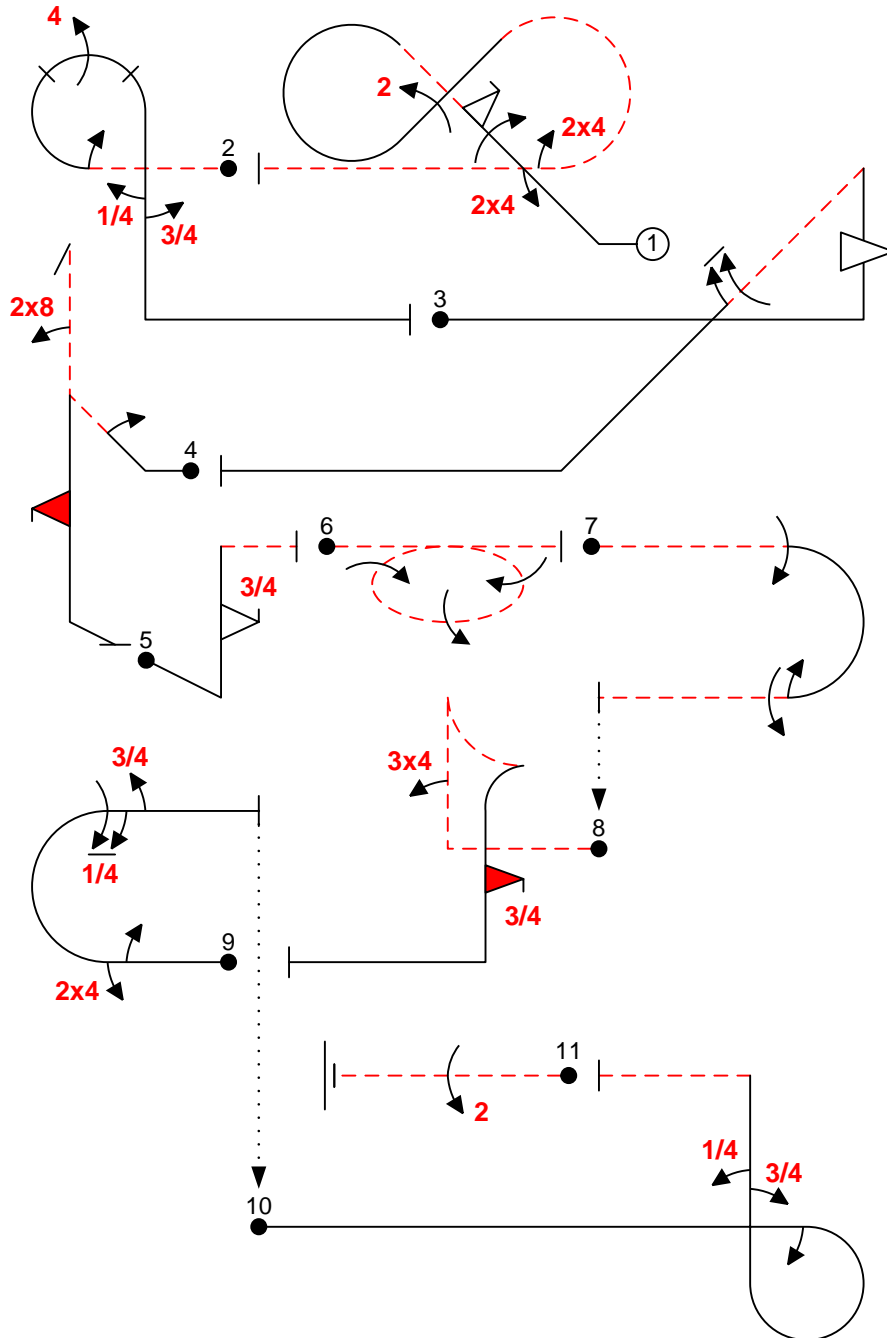
FREE PROGRAM CHECK BY:



<b>C</b>	Contest:	Category: <b>Unlimited</b>	
	Date:	Program: <b>Unknown</b>	Pilot's No. <input type="text"/>

pilot  
NAC

wind direction



A/C:

(signature/date)

FREE PROGRAM CHECK BY: