

INTERNATIONAL AEROBATIC CLUB SCORESHEET

A	Contest:	Date:	Category: Unlimited	Programme: Unknown	pilot's number	

No	Symbol	Catalogue No.	K	Total K	Grade	Remarks
1		7.3.1.1 9.4.2.2 9.10.2.2 9.2.2.4	16 7 15 11	49		
2		1.2.7.4 9.8.2.2	14 9	23		
3		8.6.2.4 9.12.1.4 9.1.5.2 9.1.3.6	12 7 4 10	33		
4		2.3.3.3	38	38		
5		1.1.7.4 9.1.5.1 9.1.5.2	9 2 4	15		
6		5.3.2.1 9.1.2.2 9.1.1.2 9.9.5.3	24 6 8 11	49		
7		8.4.4.1 9.9.1.3	16 15	31		
8		6.2.1.4 9.4.1.2 9.1.5.2 9.1.5.2	17 9 4 4	34		
9		7.2.2.1 9.4.3.2 9.1.3.2 9.1.3.6	6 5 4 10	25		
10		8.4.16.3 9.9.4.2 9.1.2.2	16 11 6	33		
11		8.8.1.4 9.1.5.4 9.1.1.3 9.4.5.3	18 8 10 8	44		
12		5.2.1.1 9.4.1.2	17 9	26		

Item	K	Score
Presentation	20	

FIGURE TOTAL K =

INCLUDING PRESENTATION =

Aircraft Type:

FREE PROGRAM CHECKED BY:

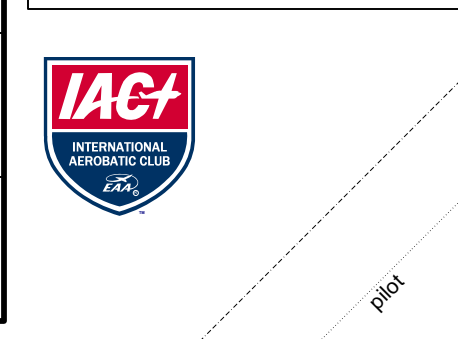
Signature:	Printed Name:	Date:
		IAC No.

Judge Name:

IAC#

Assistant Name:

IAC#



Created Using Aresti 2013™ software. ACCassidy@aol.com

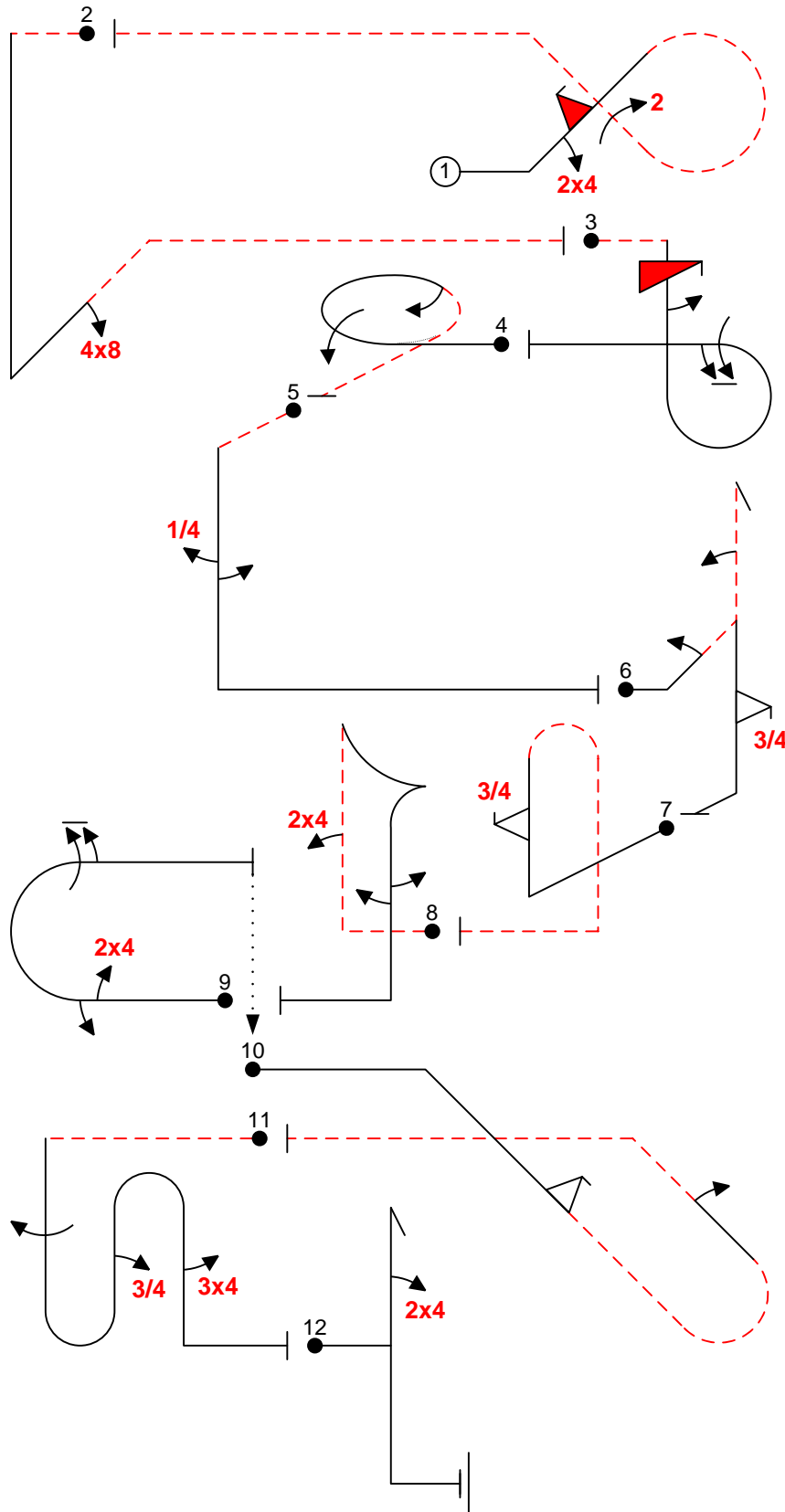
Pilot NAC



B	Contest:	Category: Unlimited	
	Date:	Program: Unknown	Pilot's No. <input type="text"/>

wind direction

Pilot
NAC



A/C:

(signature/date)

FREE PROGRAM CHECK BY:

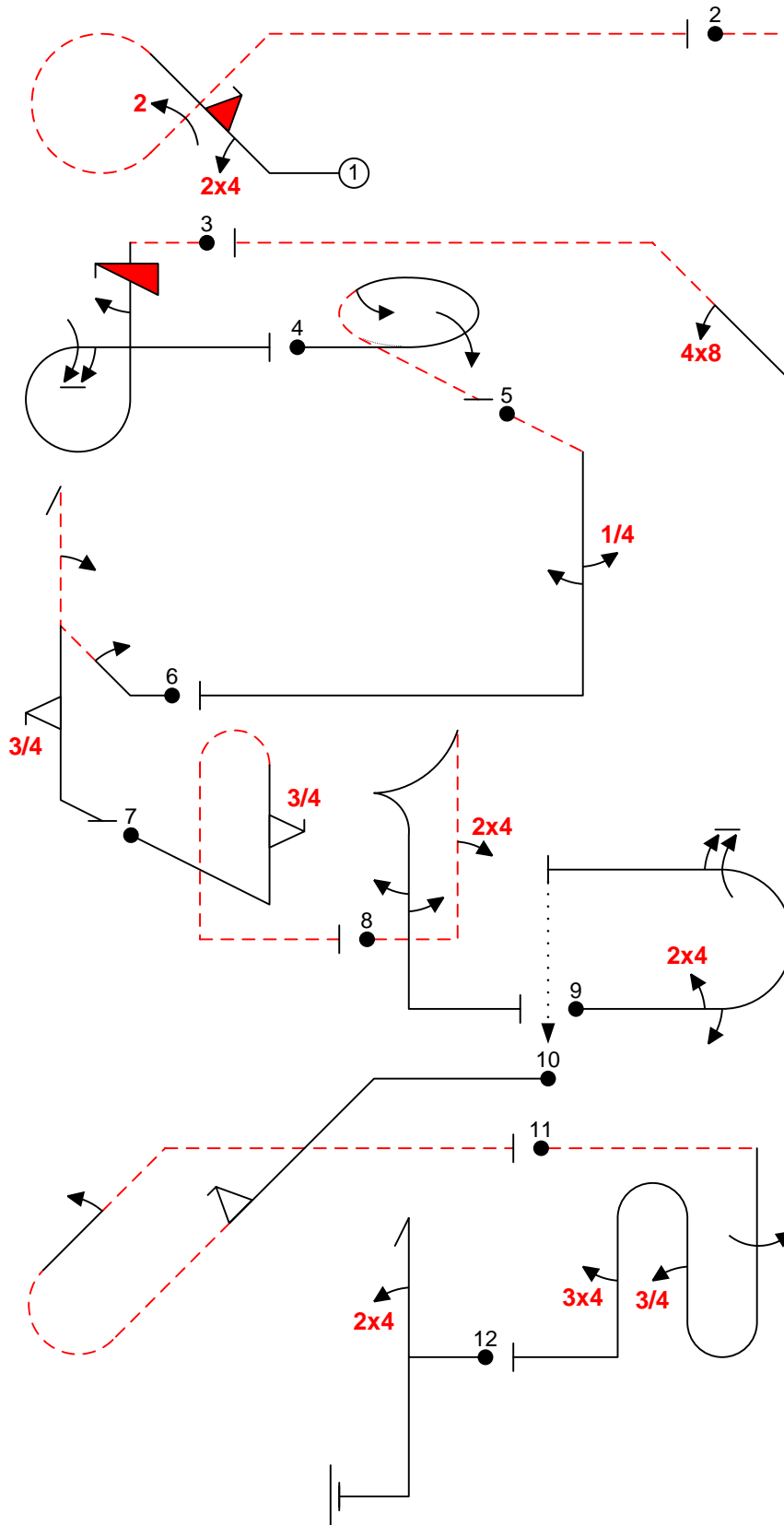


C	Contest:	Category: Unlimited	
	Date:	Program: Unknown	Pilot's No. <input type="text"/>

pilot

NAC

wind direction



A/C:

(signature/date)

FREE PROGRAM CHECK BY: