

INTERNATIONAL AEROBATIC CLUB SCORESHEET

A	INTERNATIONAL AEROBATIC CLUB SCORESHEET										
	Contest:			Date:		Category: <b>Unlimited</b>		Programme: <b>Unknown</b>		pilot's number	
No	Symbol	Catalogue No.	K	Total K	Grade	Remarks	Item	K	Score		
1		8.4.13.1 9.2.2.4 9.10.4.4	11 11 13	35			<b>Presentation</b>	<b>20</b>			
2		1.2.8.2 9.4.1.2 9.1.4.2	15 9 4	28			FIGURE TOTAL K =		400		
3		8.4.1.1 9.9.1.3 9.1.5.1 9.1.5.3	13 15 2 6	36			INCLUDING PRESENTATION =		420		
4		8.4.3.1 9.4.1.3 9.10.5.2	15 12 13	40			Aircraft Type:				
5		7.2.2.1 9.1.3.2 9.4.3.2 9.2.3.6	6 4 5 12	27			<b>FREE PROGRAM CHECKED BY:</b> Signature: _____ Printed Name: _____ IAC No. _____ Date: _____				
6		2.2.4.3	27	27							
7		6.2.1.4 9.1.1.4 9.8.5.1 9.1.5.1	17 12 3 2	34				Judge Name:			
8		8.6.2.1 9.1.1.2 9.2.3.4 9.8.3.2	12 8 9 7	36				IAC#			
9		7.4.2.2 9.8.3.2	12 7	19				Assistant Name:			
10		8.5.5.1 9.1.3.8 9.2.4.4	10 12 9	31				IAC#			
11		5.3.1.4 9.1.1.5 9.9.5.3	23 14 11	48							
12		5.2.1.1 9.9.1.4 9.8.5.2	17 15 7	39							



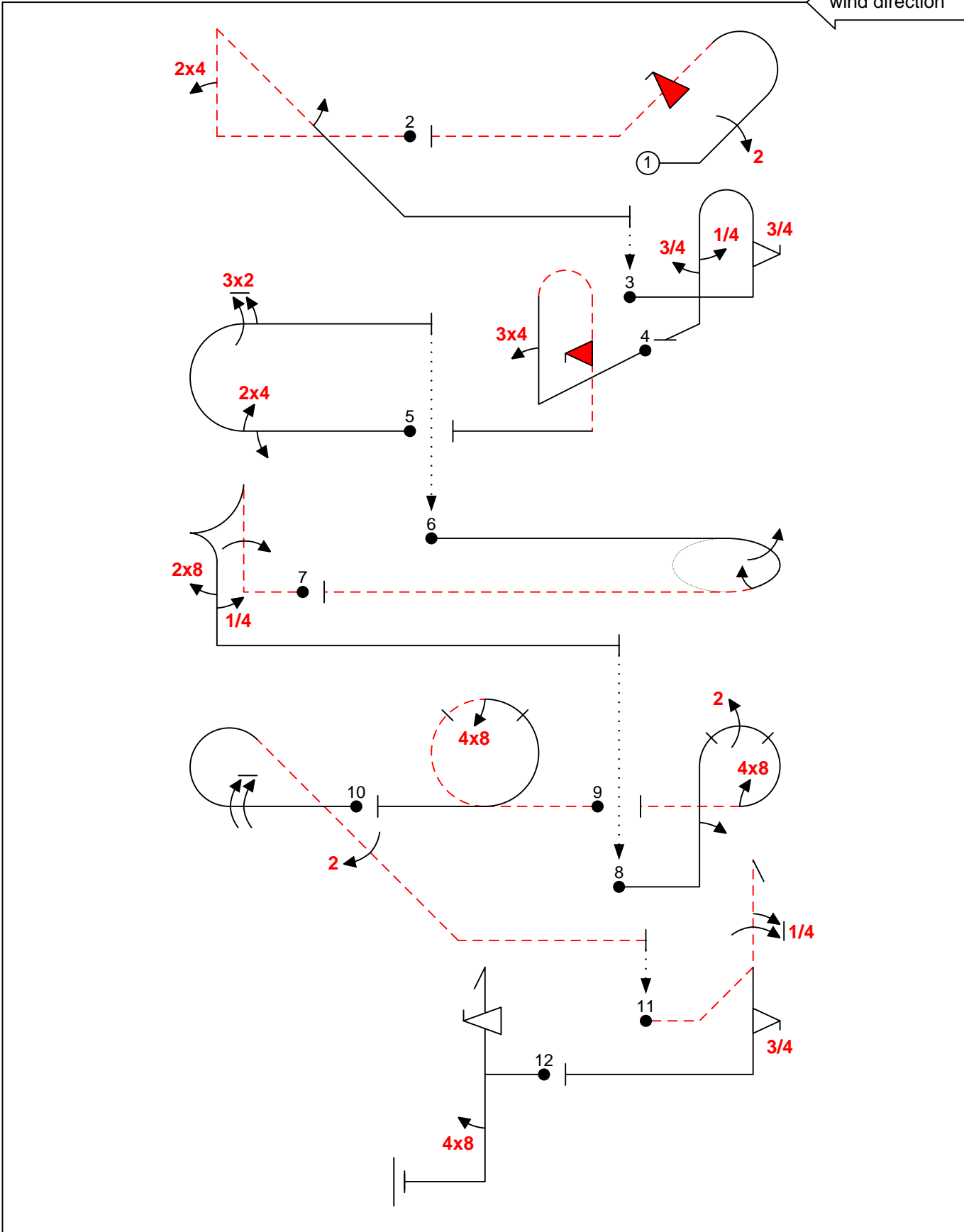
Pilot \_\_\_\_\_  
NAC \_\_\_\_\_



<b>B</b>	Contest:	Category: <b>Unlimited</b>	
	Date:	Program: <b>Unknown</b>	Pilot's No. <input type="text"/>

wind direction

Pilot  
NAC



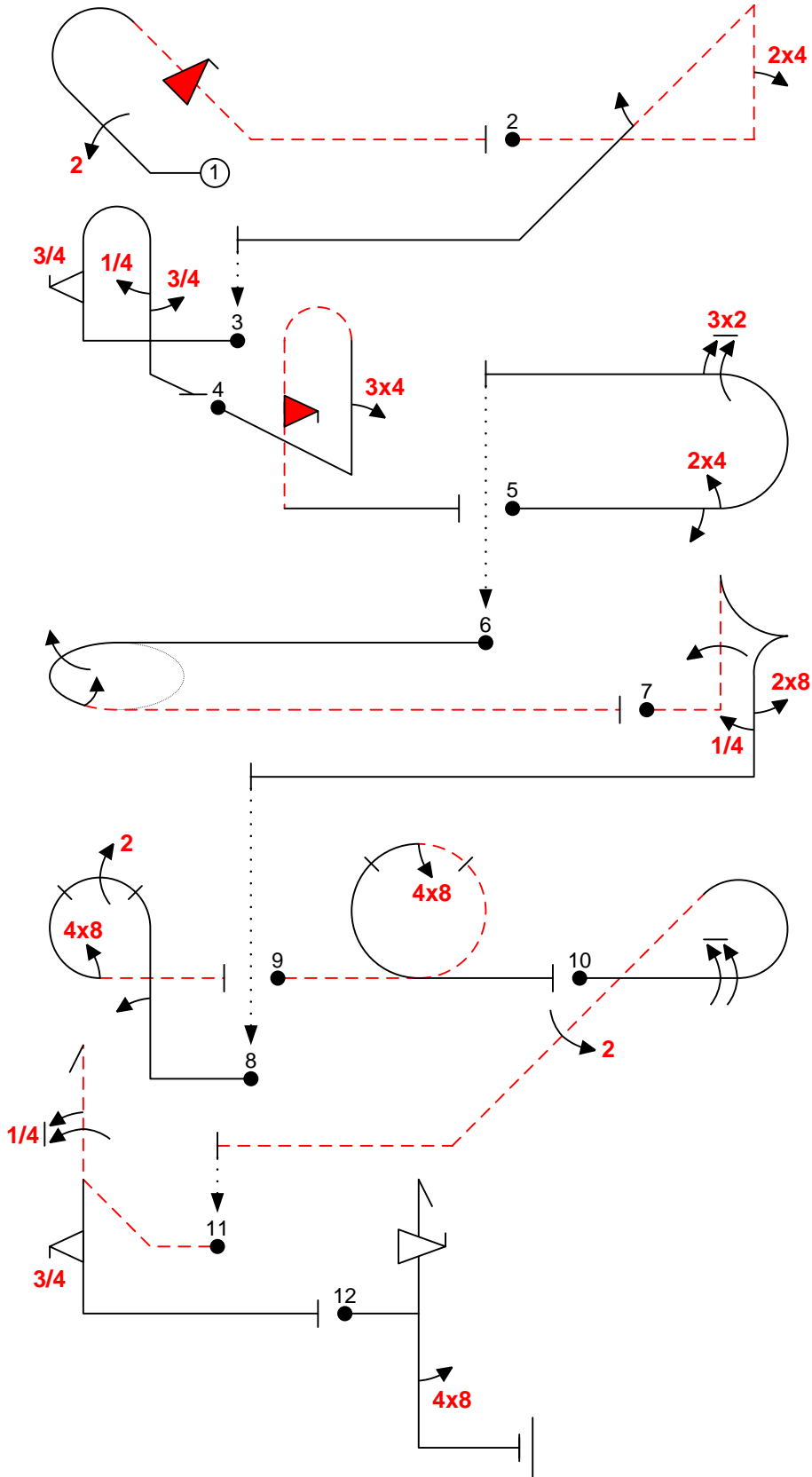
A/C: \_\_\_\_\_  
FREE PROGRAM CHECK BY: (signature/date)



<b>C</b>	Contest:	Category: <b>Unlimited</b>	
	Date:	Program: <b>Unknown</b>	Pilot's No. <input type="text"/>

pilot  
NAC

wind direction



A/C:

(signature/date)

FREE PROGRAM CHECK BY: