

INTERNATIONAL AEROBATIC CLUB SCORESHEET

A

Contest:	Date:	Category: Unlimited	Programme: Unknown	pilot's number	
----------	-------	-------------------------------	------------------------------	----------------	--

No	Symbol	Catalogue No.	K	Total K	Grade	Remarks	Item	K	Score	
1		5.3.1.1 9.1.2.4 9.2.5.4	18 10 9	37			Presentation	20		
2		8.6.1.1 9.1.1.1 9.1.1.3 9.9.3.4	11 6 10 11	38			FIGURE TOTAL K =		400	
3		5.2.1.1 9.1.1.4 9.10.5.4	17 12 13	42			INCLUDING PRESENTATION =		420	
4		8.6.2.1 9.9.1.2 9.1.3.6	12 15 10	37			Aircraft Type:			
5		5.2.1.4 9.4.1.2 9.1.5.4	22 9 8	39			FREE PROGRAM CHECKED BY: Signature: _____ Printed Name: _____ IAC No. _____ Date: _____			
6		8.4.2.1 9.8.1.1 9.1.5.3	14 7 6	27						
7		8.4.3.4 9.9.5.3 9.1.1.3	16 11 10	37						
8		7.4.1.4 9.2.3.4	11 9	20						
9		7.3.4.4 9.1.4.6 9.10.4.2	15 10 13	38				Judge Name:		
10		7.2.1.1 9.1.3.8 9.4.3.2 9.2.3.6	6 12 5 12	35				IAC#		
11		1.1.10.4 9.1.4.2 9.1.4.2	8 4 4	16				Assistant Name:		
12		8.6.5.1 9.4.3.4 9.1.3.8	11 11 12	34				IAC#		



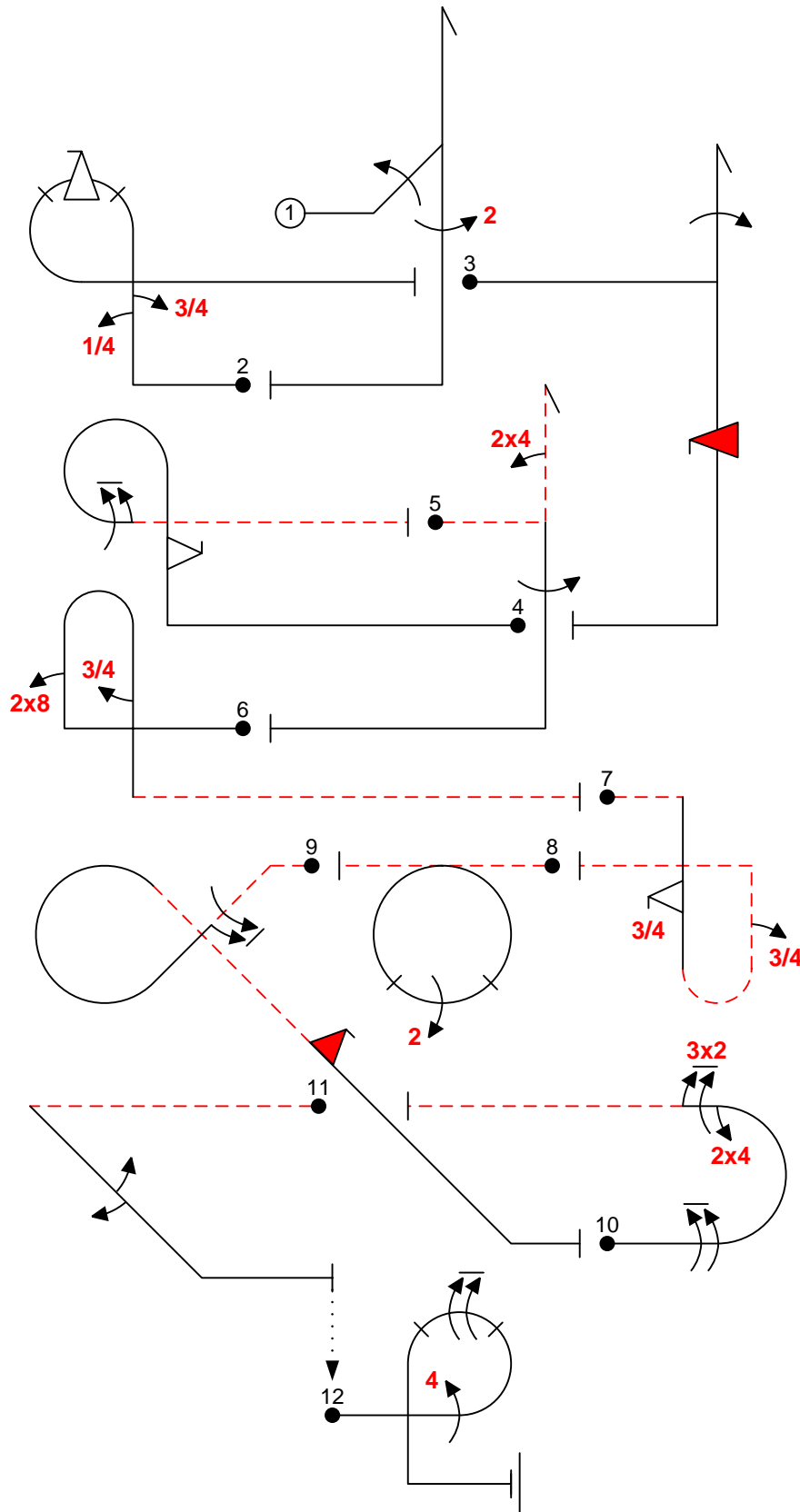
Pilot _____ NAC



B	Contest:	Category: Unlimited
	Date:	Program: Unknown
		Pilot's No.

Pilot
NAC

wind direction



A/C:

(signature/date)

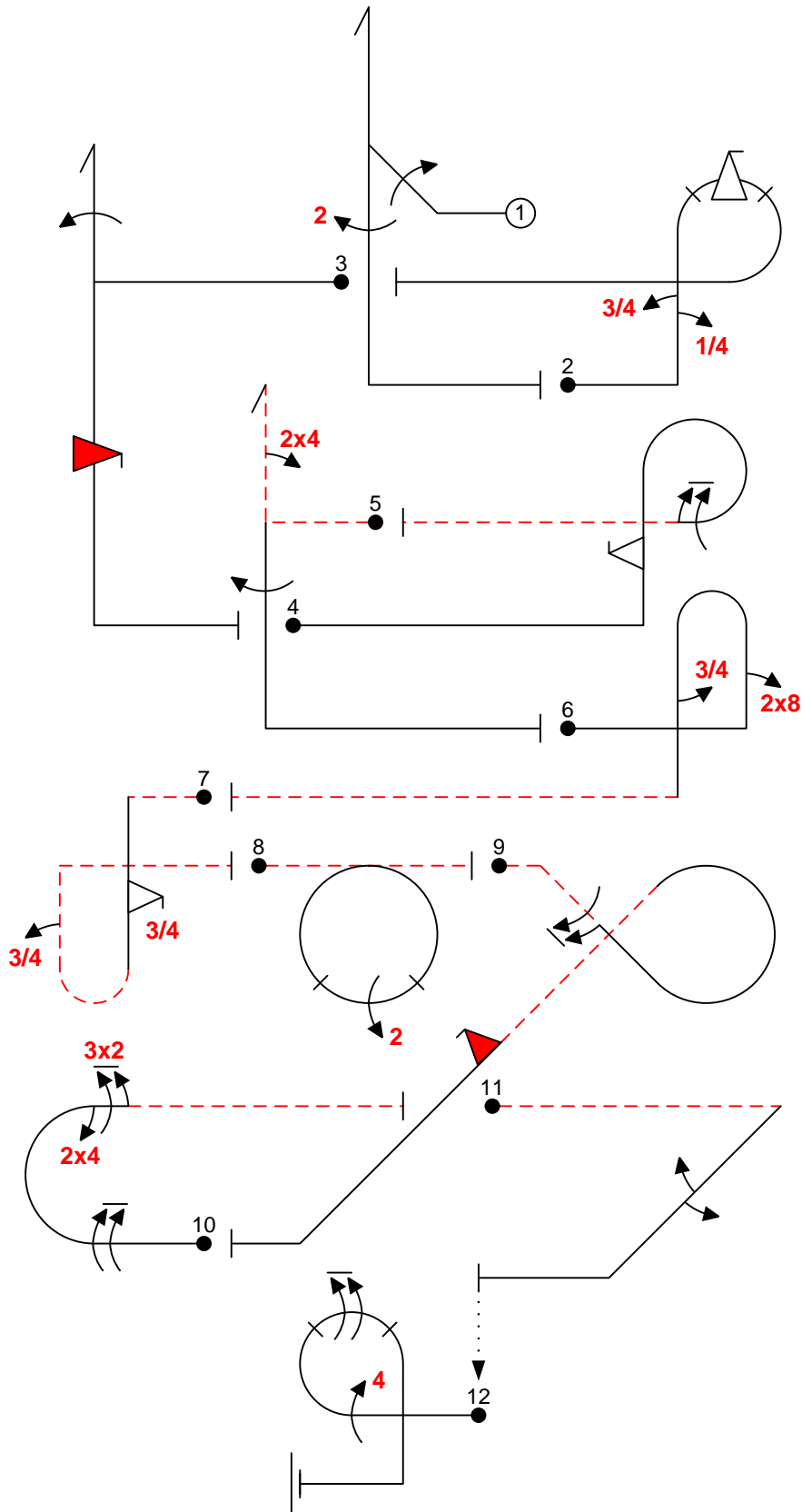
FREE PROGRAM CHECK BY:



C	Contest:	Category: Unlimited	
	Date:	Program: Unknown	Pilot's No. <input type="text"/>

pilot
NAC

wind direction



A/C:

(signature/date)

FREE PROGRAM CHECK BY: