

INTERNATIONAL AEROBATIC CLUB SCORESHEET

A

Contest:	Date:	Category: Unlimited	Programme: Unknown	pilot's number	
----------	-------	-------------------------------	------------------------------	----------------	--

No	Symbol	Catalogue No.	K	Total K	Grade	Remarks	Item	K	Score	
1		8.4.16.1 9.1.2.2 9.10.2.4 9.4.4.2	14 6 15 5	40			Presentation	20		
2		8.4.2.2 9.1.1.2 9.1.1.2 9.2.5.4	17 8 8 9	42			FIGURE TOTAL K =		395	
3		5.3.2.1 9.1.2.2 9.8.1.1 9.9.5.3	24 6 7 11	48			INCLUDING PRESENTATION =		415	
4		1.2.7.1 9.2.1.4 9.8.4.2	13 13 7	33			Aircraft Type:			
5		7.2.1.1 9.1.3.4 9.1.3.4 9.8.3.4	6 8 8 15	37			FREE PROGRAM CHECKED BY: Signature: _____ Printed Name: _____ IAC No. _____ Date: _____			
6		8.5.5.4 9.9.2.4	10 13	23						
7		2.3.2.1	34	34						
8		1.1.7.4 9.1.5.3	9 6	15				Judge Name:		
9		8.4.1.1 9.4.1.3 9.1.5.2	13 12 4	29				IAC#		
10		6.2.1.1 9.1.1.3 9.1.5.4	15 10 8	33				Assistant Name:		
11		7.2.1.1 9.4.3.2 9.4.3.2	6 5 5	16				IAC#		
12		7.8.2.4 9.2.2.4 9.1.2.6	22 11 12	45						



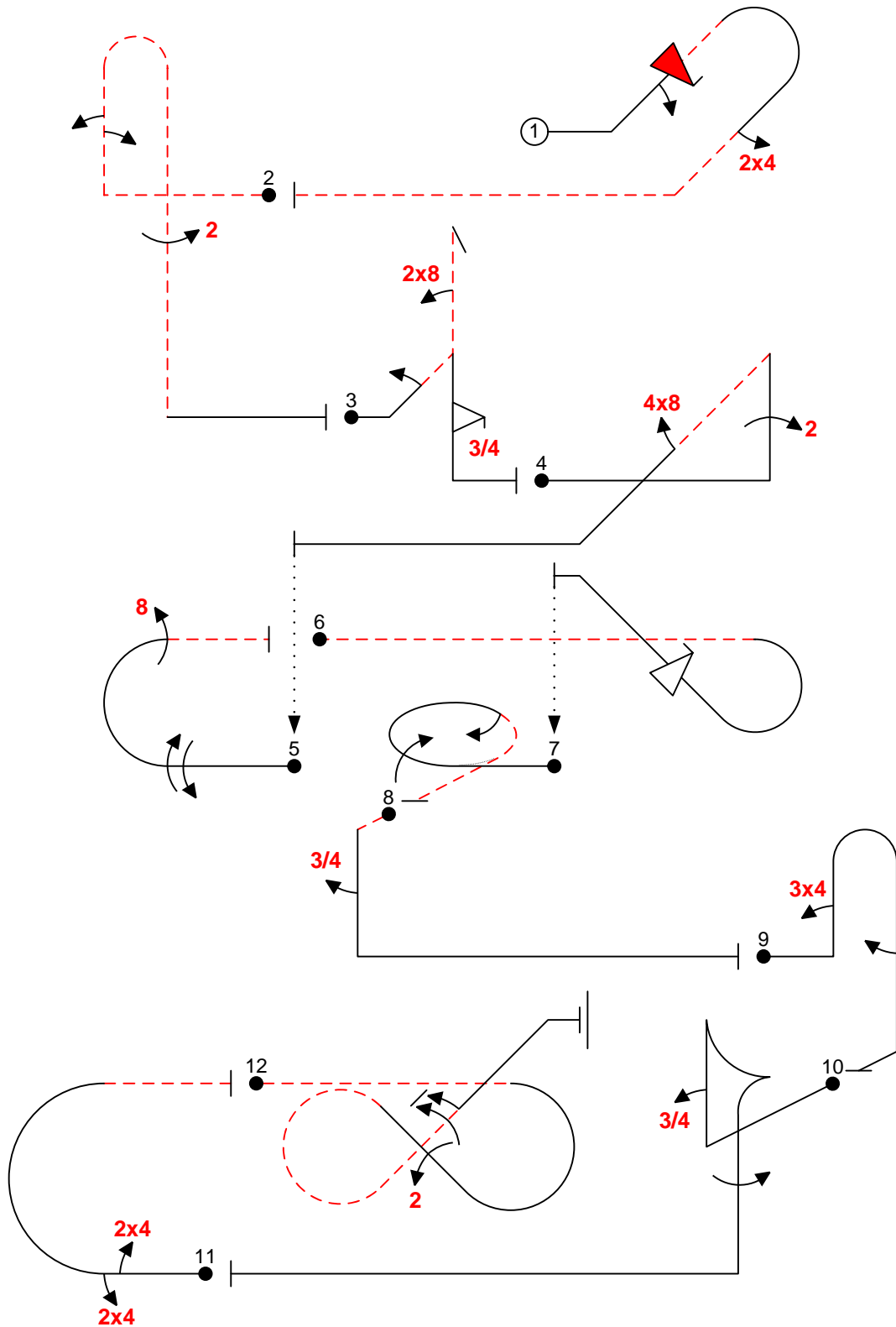
Pilot _____
NAC _____



B	Contest:	Category: Unlimited	
	Date:	Program: Unknown	Pilot's No. <input type="text"/>

wind direction

Pilot
NAC



A/C:

(signature/date)

FREE PROGRAM CHECK BY:

