

INTERNATIONAL AEROBATIC CLUB SCORESHEET

<b>A</b>	Contest:	Date:	Category: <b>Unlimited</b>	Programme: <b>Unknown</b>	pilot's number	

No	Symbol	Catalogue No.	K	Total K	Grade	Remarks	Item	K	Score
1		8.6.1.4 9.12.1.4 9.1.5.4 9.4.3.4	12 7 8 11	38			<b>Presentation</b>	<b>20</b>	
2		2.3.4.2	31	31					
3		1.2.8.4 9.8.5.1 9.10.2.2	15 3 15	33					
4		7.2.3.3 9.1.3.6	6 10	16					
5		5.2.1.3 9.9.1.3 9.1.5.4	18 15 8	41					
6		6.2.2.4 9.1.1.3 9.10.5.2	17 10 13	40					
7		7.2.2.1 9.2.3.4 9.1.3.1 9.1.3.3	6 9 2 6	23					
8		7.3.3.3 9.9.4.4 9.8.4.2	14 11 7	32					
9		8.6.1.1 9.1.1.3 9.1.1.1 9.2.3.4 9.1.3.2 9.1.3.2	11 10 6 9 4 4	44					
10		1.2.5.1 9.9.1.4 9.2.4.4	14 15 9	38					
11		7.4.4.2 9.4.3.2	17 5	22					
12		5.3.2.1 9.1.2.2 9.1.1.2 9.1.5.2	24 6 8 4	42					

FIGURE TOTAL K = **400**

INCLUDING PRESENTATION = **420**

Aircraft Type:

FREE PROGRAM CHECKED BY:

Signature:	Printed Name:	Date:
		IAC No.

Judge Name:

IAC#

Assistant Name:

IAC#



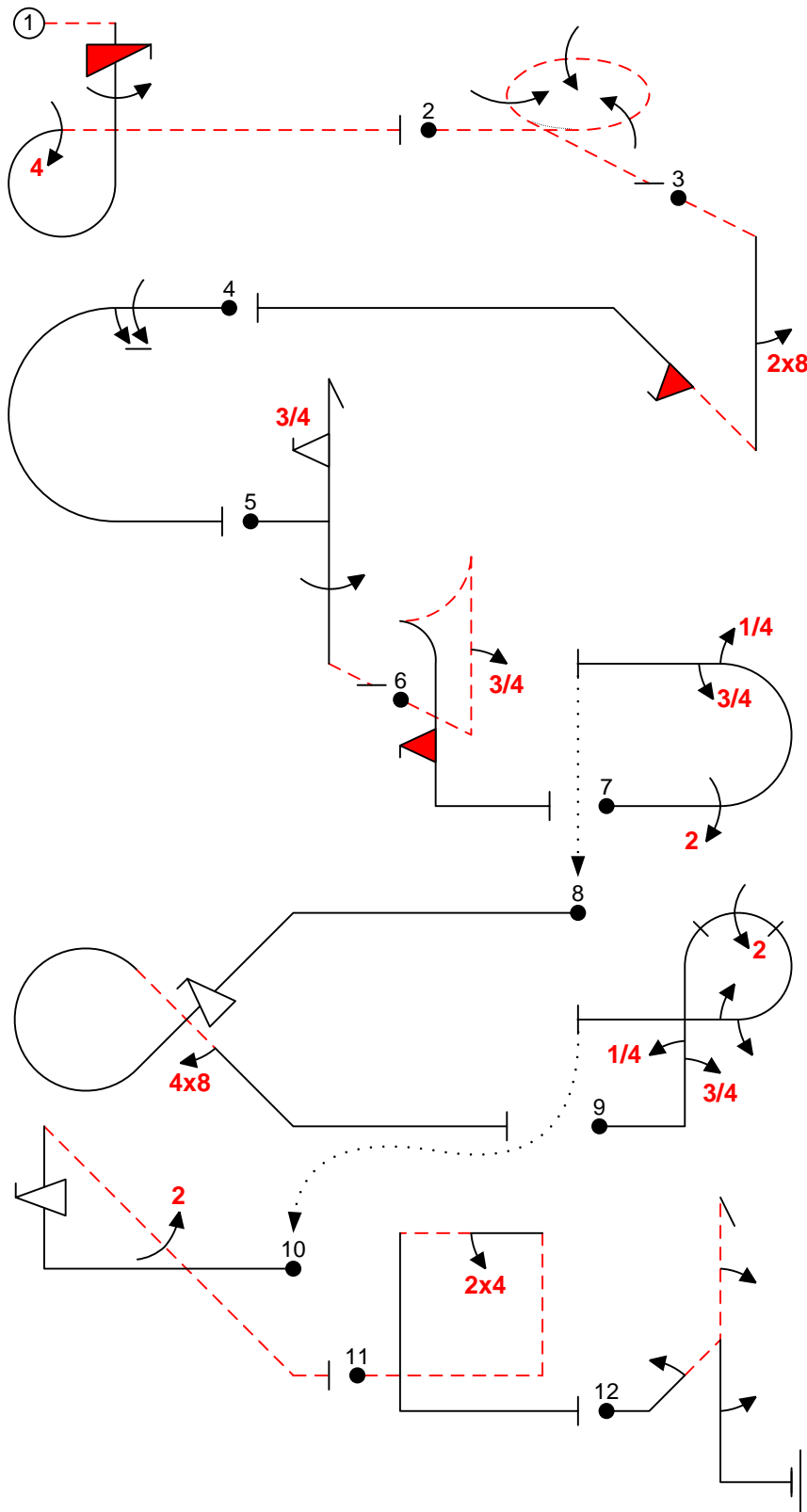
Pilot NAC



<b>B</b>	Contest:	Category: <b>Unlimited</b>	
	Date:	Program: <b>Unknown</b>	Pilot's No. <input type="text"/>

wind direction

Pilot  
NAC



A/C:

(signature/date)

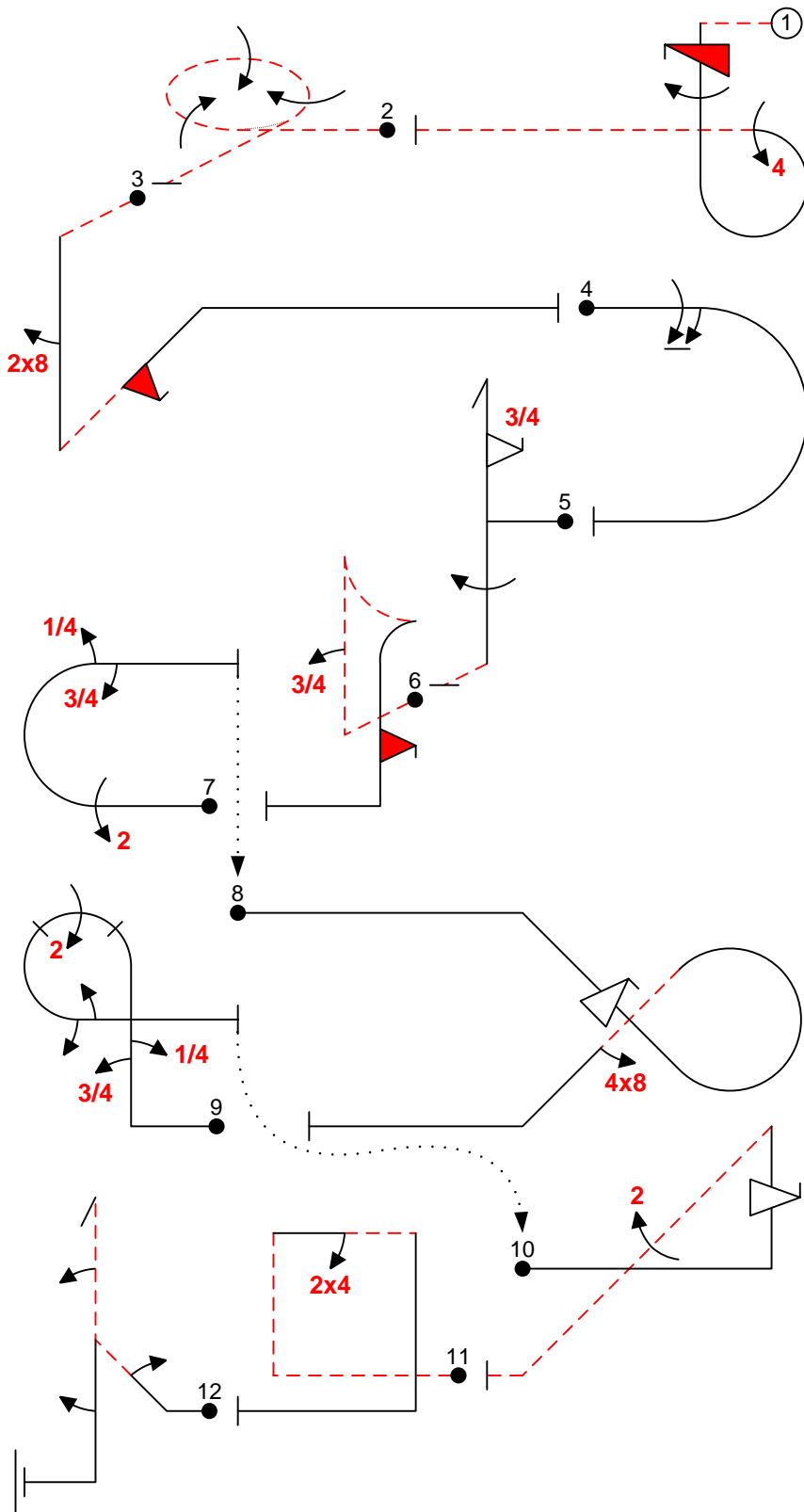
FREE PROGRAM CHECK BY:



<b>C</b>	Contest:	Category: <b>Unlimited</b>
Date:	Program: <b>Unknown</b>	Pilot's No. <input type="text"/>

pilot  
NAC

wind direction



Created Using Aresti 2013™ software. ACCassidy@aol.com

A/C:

(signature/date)

FREE PROGRAM CHECK BY: