

INTERNATIONAL AEROBATIC CLUB SCORESHEET

**A**

Contest:	Date:	Category: <b>Unlimited</b>	Programme: <b>Unknown</b>	pilot's number	
----------	-------	-------------------------------	------------------------------	----------------	--

No	Symbol	Catalogue No.	K	Total K	Grade	Remarks	Item	K	Score									
1		1.2.3.1 9.4.2.2 9.9.7.4 9.1.5.3 9.1.5.1	12 7 15 6 2	42			<b>Presentation</b>	<b>20</b>										
2		1.1.10.1 9.2.2.4	9 11	20			FIGURE TOTAL K =		400									
3		2.2.4.4	27	27			INCLUDING PRESENTATION =		420									
4		8.4.4.3 9.11.1.5 9.1.5.2 9.9.1.2	14 4 4 15	37			Aircraft Type:											
5		1.2.8.4 9.10.10.3 9.1.2.6	15 15 12	42			<p><b>FREE PROGRAM CHECKED BY:</b></p> <table border="1"> <tr> <td>Signature:</td> <td>Printed Name:</td> <td>Date:</td> </tr> <tr> <td></td> <td></td> <td></td> </tr> <tr> <td></td> <td></td> <td></td> </tr> </table>	Signature:	Printed Name:	Date:								
Signature:	Printed Name:	Date:																
6		7.2.3.3 9.1.3.6 9.4.3.4	6 10 11	27				Judge Name:										
7		5.2.1.1 9.9.1.3 9.1.5.2 9.1.5.1	17 15 4 2	38				IAC#										
8		7.4.5.1 9.1.2.4 9.2.4.4	15 10 9	34				Assistant Name:										
9		7.2.1.1 9.1.3.8 9.8.3.4	6 12 15	33				IAC#										
10		8.6.7.2 9.1.3.2 9.4.5.2	12 4 5	21														
11		6.2.2.1 9.4.1.3 9.1.5.1 9.1.5.2	15 12 2 4	33														
12		5.3.2.1 9.4.2.2 9.8.1.1 9.4.5.3	24 7 7 8	46														



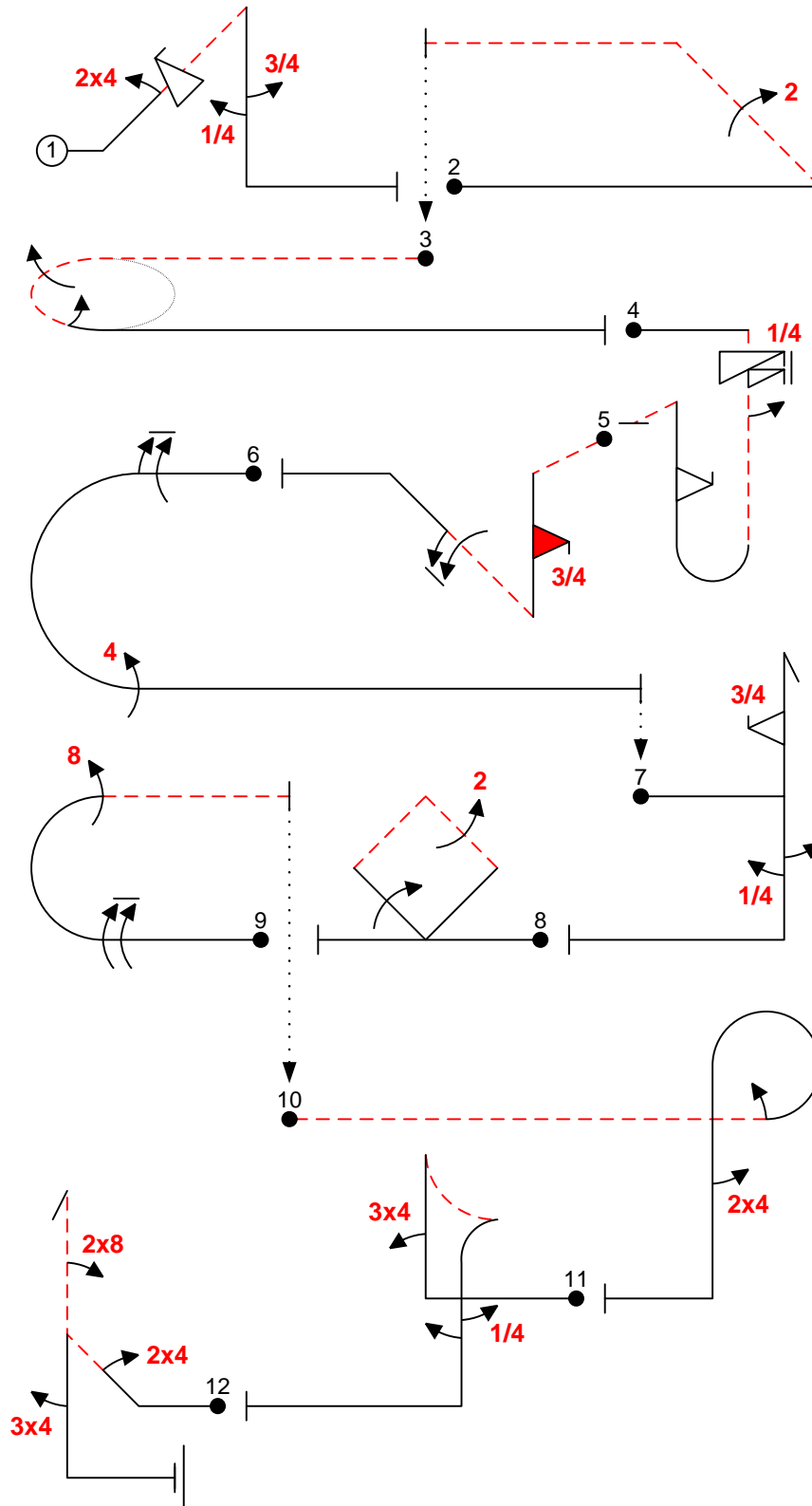
pilot



<b>B</b>	Contest:	Category: <b>Unlimited</b>
Date:	Program: <b>Unknown</b>	Pilot's No. <input type="text"/>

wind direction

Pilot:



A/C:

(signature/date)

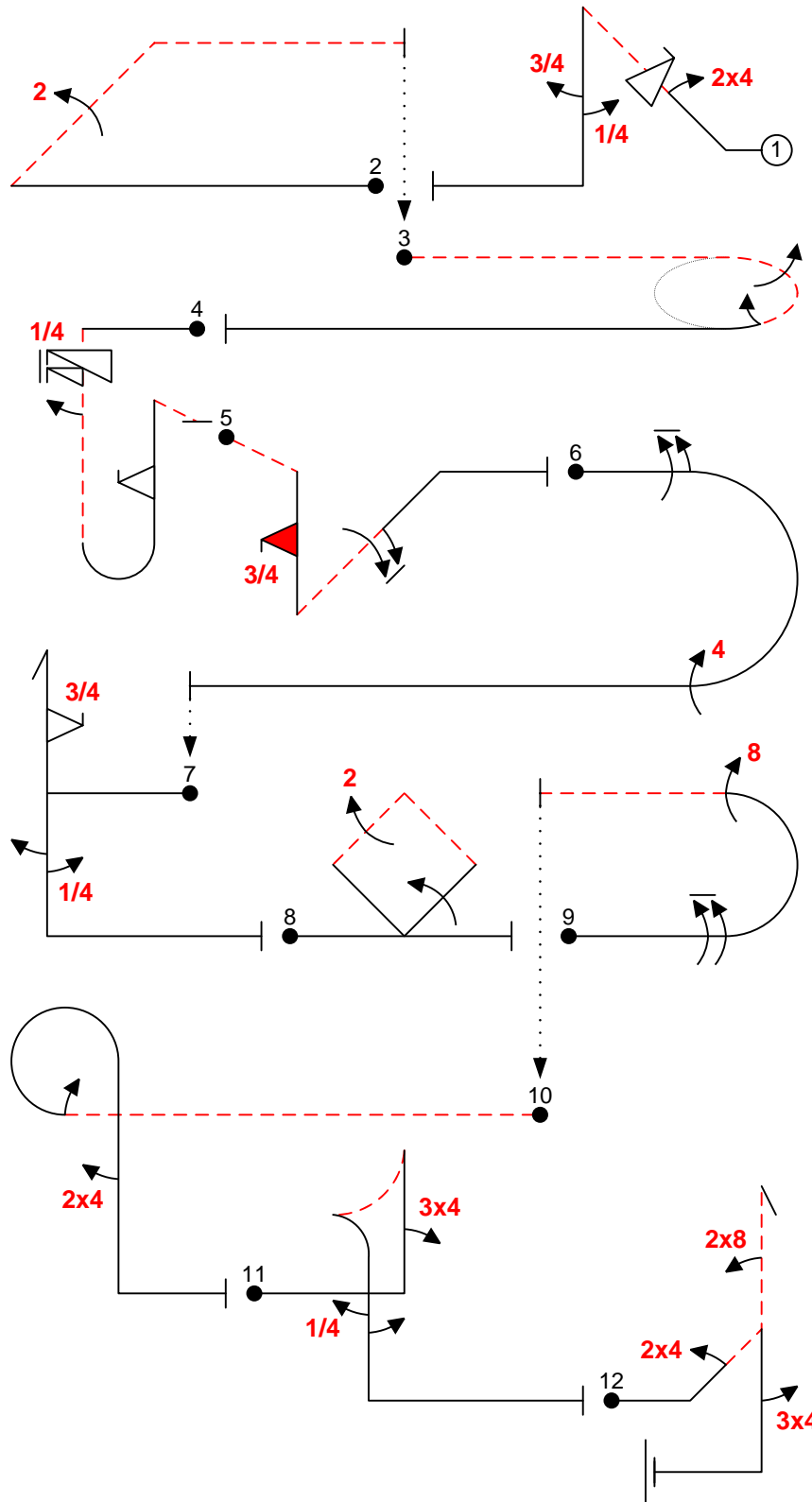
FREE PROGRAM CHECK BY:



<b>C</b>	Contest:	Category: <b>Unlimited</b>
Date:	Program: <b>Unknown</b>	Pilot's No. <input type="text"/>

wind direction

Pilot: \_\_\_\_\_



A/C: \_\_\_\_\_

(signature/date)

FREE PROGRAM CHECK BY: \_\_\_\_\_