

INTERNATIONAL AEROBATIC CLUB SCORESHEET

<b>A</b>	Contest:	Date:	Category: <b>Unlimited</b>	Programme: <b>Unknown</b>	pilot's number	

No	Symbol	Catalogue No.	K	Total K	Grade	Remarks
1		8.5.5.4 9.4.3.4 9.4.3.4 9.1.2.2 9.10.2.2	10 11 11 6 15	53		
2		7.2.3.3 9.1.3.6 9.1.3.7 9.1.3.3	6 10 11 6	33		
3		8.4.3.1 9.9.1.3 9.1.5.2	15 15 4	34		
4		8.4.1.1 9.1.1.3 9.2.5.4	13 10 9	32		
5		7.2.1.1 9.1.3.4 9.2.3.4 9.2.3.4 9.1.3.4	6 8 9 9 8	40		
6		8.4.2.4 9.12.1.6 9.1.1.3 9.1.1.1	14 5 10 6	35		
7		2.2.4.3	27	27		
8		5.3.2.4 9.4.2.2 9.1.1.1 9.9.5.4	21 7 6 11	45		
9		6.2.2.1 9.4.1.3 9.10.5.2	15 12 13	40		
10		7.3.2.1 9.1.2.2 9.10.2.4 9.4.2.4	14 6 15 13	48		
11		1.1.1.1 9.9.3.4	2 11	13		

<b>Presentation</b>	<b>20</b>	
---------------------	-----------	--

FIGURE TOTAL K = 400

INCLUDING PRESENTATION = 420

Aircraft Type:

FREE PROGRAM CHECKED BY:

Signature:	Printed Name:	Date:
		IAC No.

Judge Name:

IAC#

Assistant Name:

IAC#



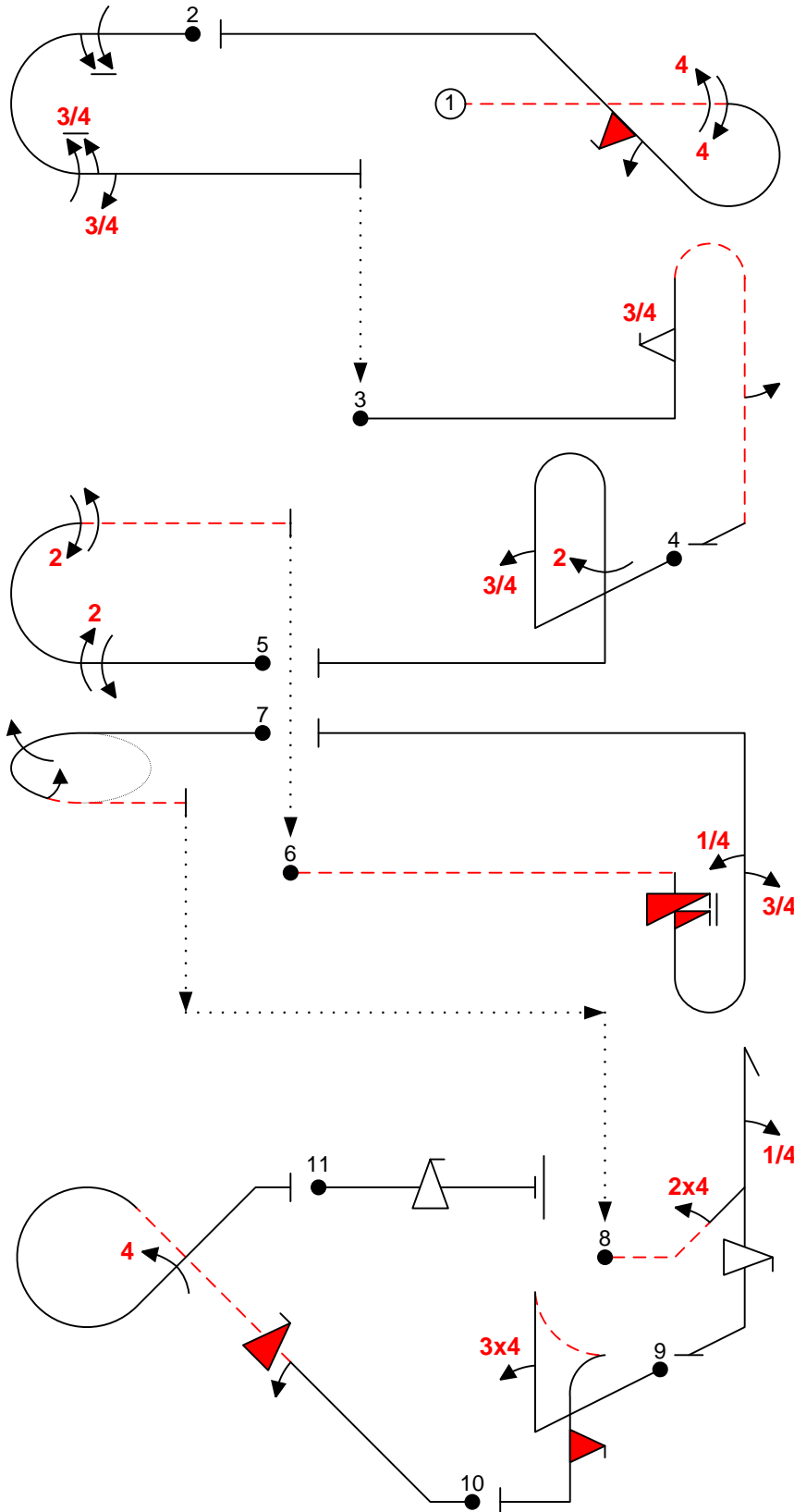
pilot



<b>B</b>	Contest:	Category: <b>Unlimited</b>
	Date:	Program: <b>Unknown</b>

wind direction

Pilot:



A/C:

(signature/date)

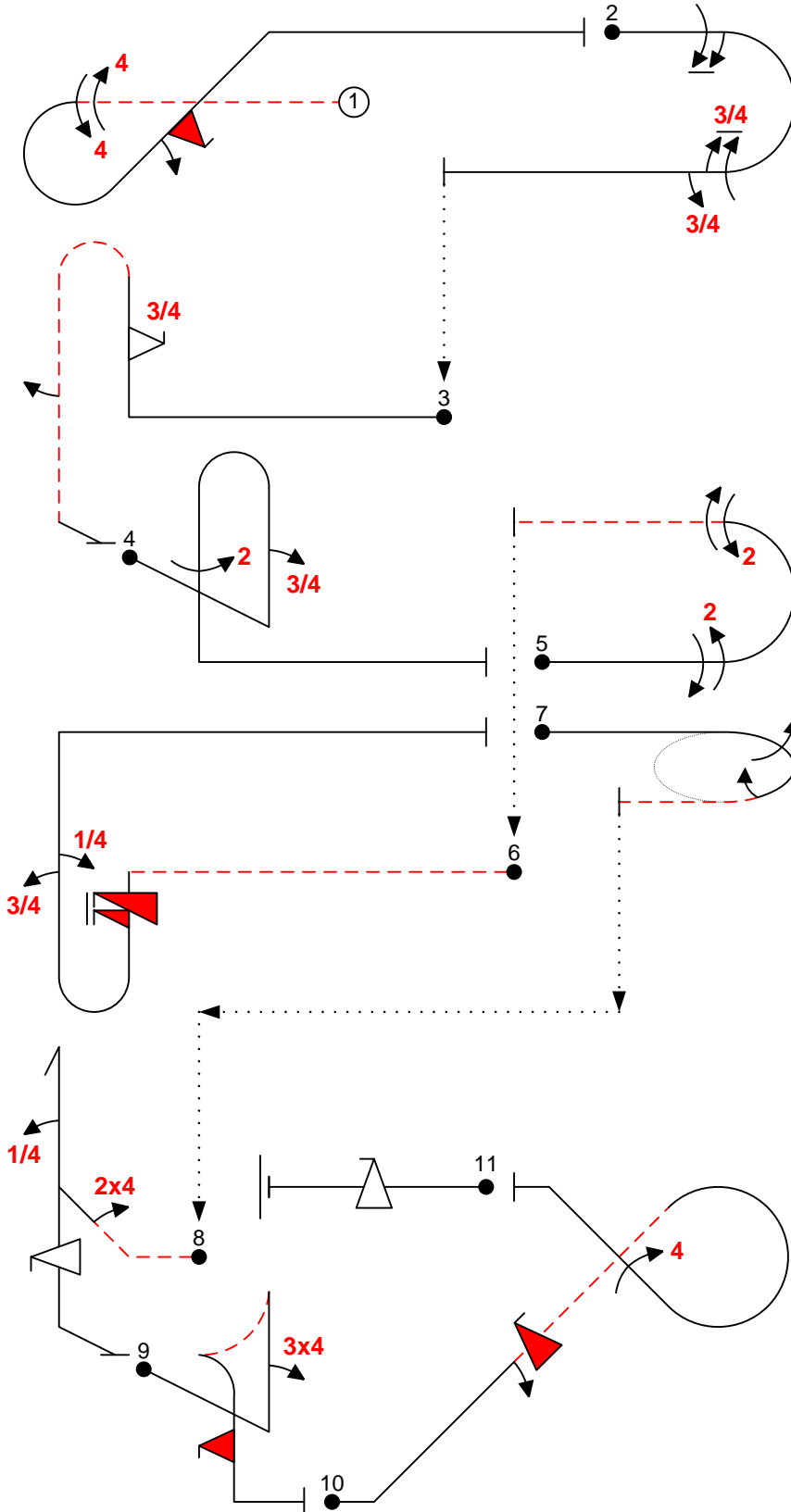
FREE PROGRAM CHECK BY:



<b>C</b>	Contest:	Category: <b>Unlimited</b>
Date:	Program: <b>Unknown</b>	Pilot's No. <input type="text"/>

wind direction

Pilot: \_\_\_\_\_



A/C: \_\_\_\_\_

(signature/date)

FREE PROGRAM CHECK BY: \_\_\_\_\_