

INTERNATIONAL AEROBATIC CLUB SCORESHEET

**A**

Contest:

Date:

Category:

Programme:

pilot's number

**Unlimited**

**Unknown**

No	Symbol	Catalogue No.	K	Total K	Grade	Remarks	Item	K	Score	
1		8.5.2.1 9.1.2.1 9.1.2.3 9.2.3.4	10 4 8 9	31			<b>Presentation</b>	<b>20</b>		
2		1.1.10.1 9.10.2.4	9 15	24			FIGURE TOTAL K =		400	
3		2.3.5.2	36	36			INCLUDING PRESENTATION =		420	
4		1.1.7.4 9.12.1.5 9.1.5.2	9 6 4	19			Aircraft Type:			
5		8.6.5.1 9.1.3.4 9.4.3.4 9.4.5.2	11 8 11 5	35			<b>FREE PROGRAM CHECKED BY:</b> Signature: _____ Printed Name: _____ IAC No. _____ Date: _____			
6		8.4.3.1 9.9.1.2 9.1.5.3 9.1.5.1	15 15 6 2	38						
7		7.2.2.1 9.1.3.2 9.1.3.2 9.2.3.6	6 4 4 12	26						
8		7.3.1.3 9.10.9.4	14 15	29						
9		5.2.1.4 9.10.1.3 9.1.5.4	22 17 8	47				Judge Name:		
10		6.2.2.1 9.1.1.3 9.9.5.4	15 10 11	36				IAC#		
11		7.2.1.1 9.4.3.4 9.4.3.4	6 11 11	28				Assistant Name:		
12		7.8.3.4 9.1.2.2 9.10.2.4 9.2.2.4	19 6 15 11	51				IAC#		



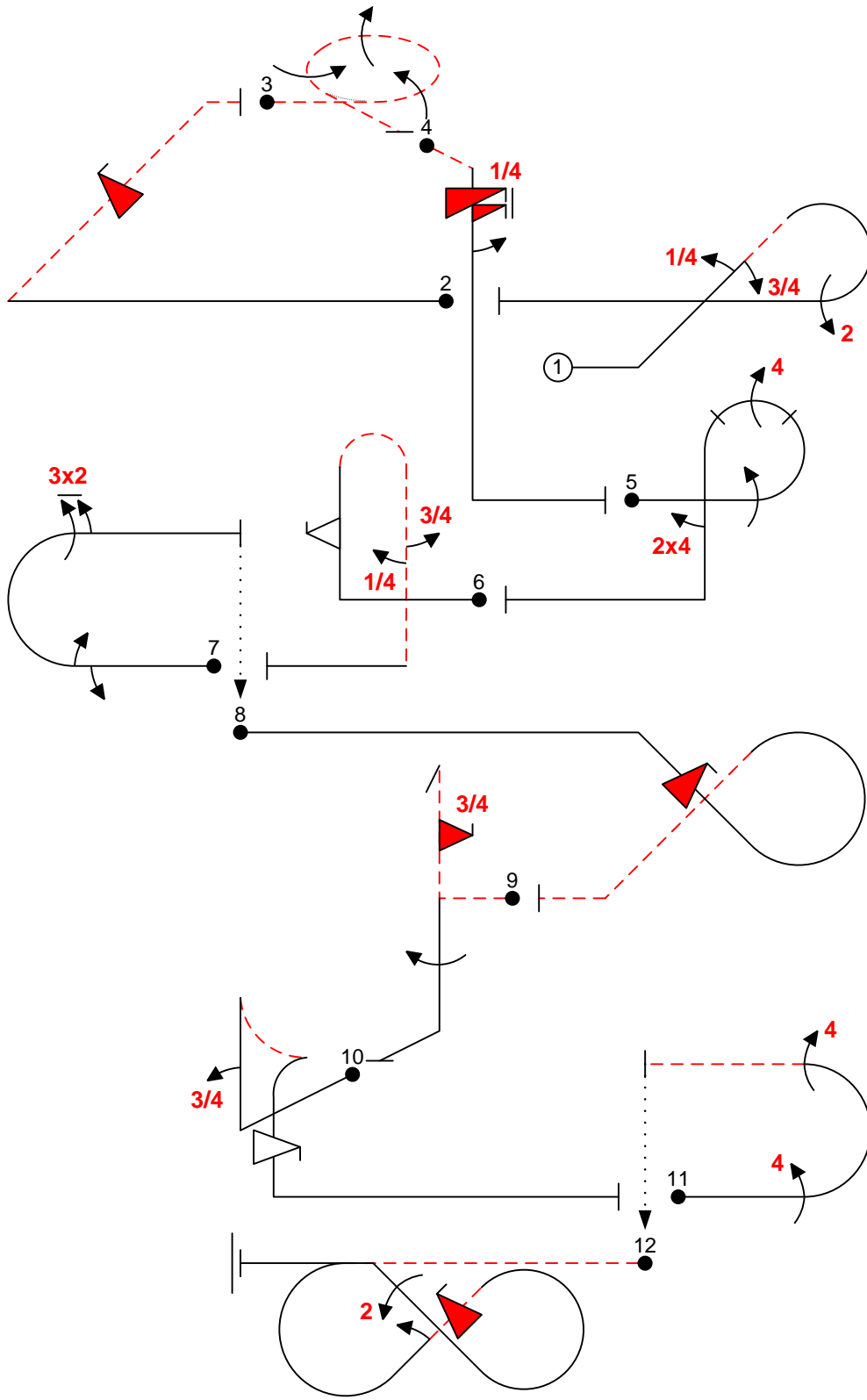
pilot



<b>B</b>	Contest:	Category: <b>Unlimited</b>
Date:	Program: <b>Unknown</b>	Pilot's No. <input type="text"/>

wind direction

Pilot:



A/C:

(signature/date)

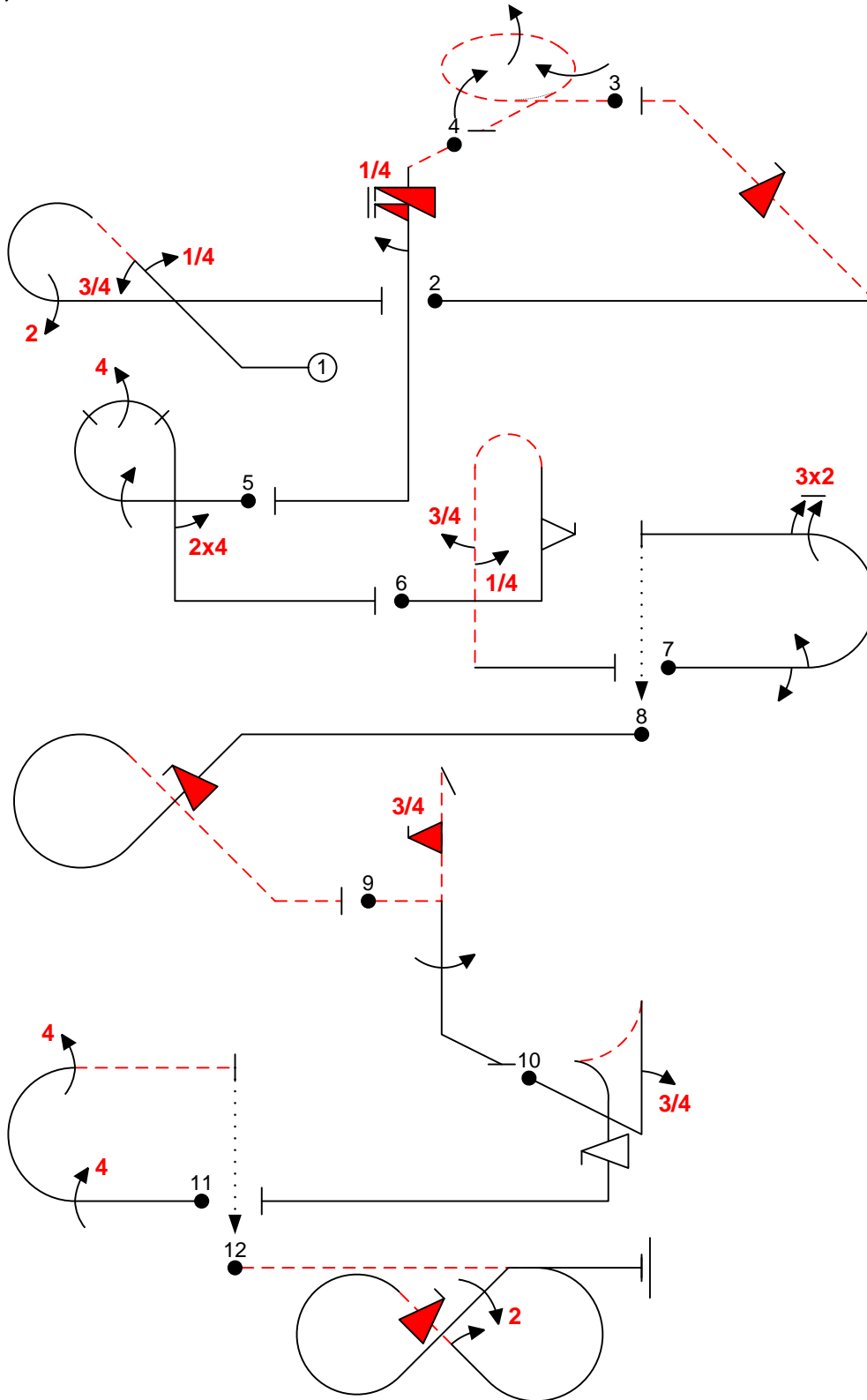
FREE PROGRAM CHECK BY:



<b>C</b>	Contest:	Category: <b>Unlimited</b>
Date:	Program: <b>Unknown</b>	Pilot's No. <input type="text"/>

wind direction

Pilot:



A/C:

(signature/date)

FREE PROGRAM CHECK BY: