

INTERNATIONAL AEROBATIC CLUB SCORESHEET

| | | | | | | |
|----------|----------|-------|-------------------------------|------------------------------|----------------|--|
| A | Contest: | Date: | Category: Unlimited | Programme: Unknown | pilot's number | |
| | | | | | | |

| No | Symbol | Catalogue No. | K | Total K | Grade | Remarks |
|----|--------|---|--------------------|---------|-------|---------|
| 1 | | 7.8.1.1 9.8.3.4 9.1.4.4 9.2.4.4 | 20 15 8 9 | 52 | | |
| 2 | | 8.6.2.1 9.1.1.2 9.2.3.4 9.1.3.6 | 12 8 9 10 | 39 | | |
| 3 | | 7.2.3.2 9.1.3.7 9.1.3.1 | 7 11 2 | 20 | | |
| 4 | | 8.4.2.4 9.12.1.5 9.1.5.2 9.9.1.4 | 14 6 4 15 | 39 | | |
| 5 | | 2.3.5.1 | 35 | 35 | | |
| 6 | | 6.2.1.1 9.1.1.1 9.9.5.2 | 15 6 11 | 32 | | |
| 7 | | 5.3.2.1 9.1.2.2 9.10.1.3 9.4.5.2 | 24 6 17 5 | 52 | | |
| 8 | | 7.4.5.1 9.2.2.4 9.1.4.4 | 15 11 8 | 34 | | |
| 9 | | 7.2.2.1 9.2.3.4 9.1.3.4 9.9.8.6 | 6 9 8 16 | 39 | | |
| 10 | | 1.1.6.3 9.1.5.3 | 10 6 | 16 | | |
| 11 | | 8.4.3.1 9.1.1.5 9.10.5.3 | 15 14 13 | 42 | | |

| | | |
|--------------|----|-------|
| Item | K | Score |
| Presentation | 20 | |

FIGURE TOTAL K =

INCLUDING PRESENTATION =

Aircraft Type:

FREE PROGRAM CHECKED BY:

| | | |
|------------|---------------|---------|
| Signature: | Printed Name: | Date: |
| | | IAC No. |

| |
|--------|
| Judge |
| Name |
| Number |



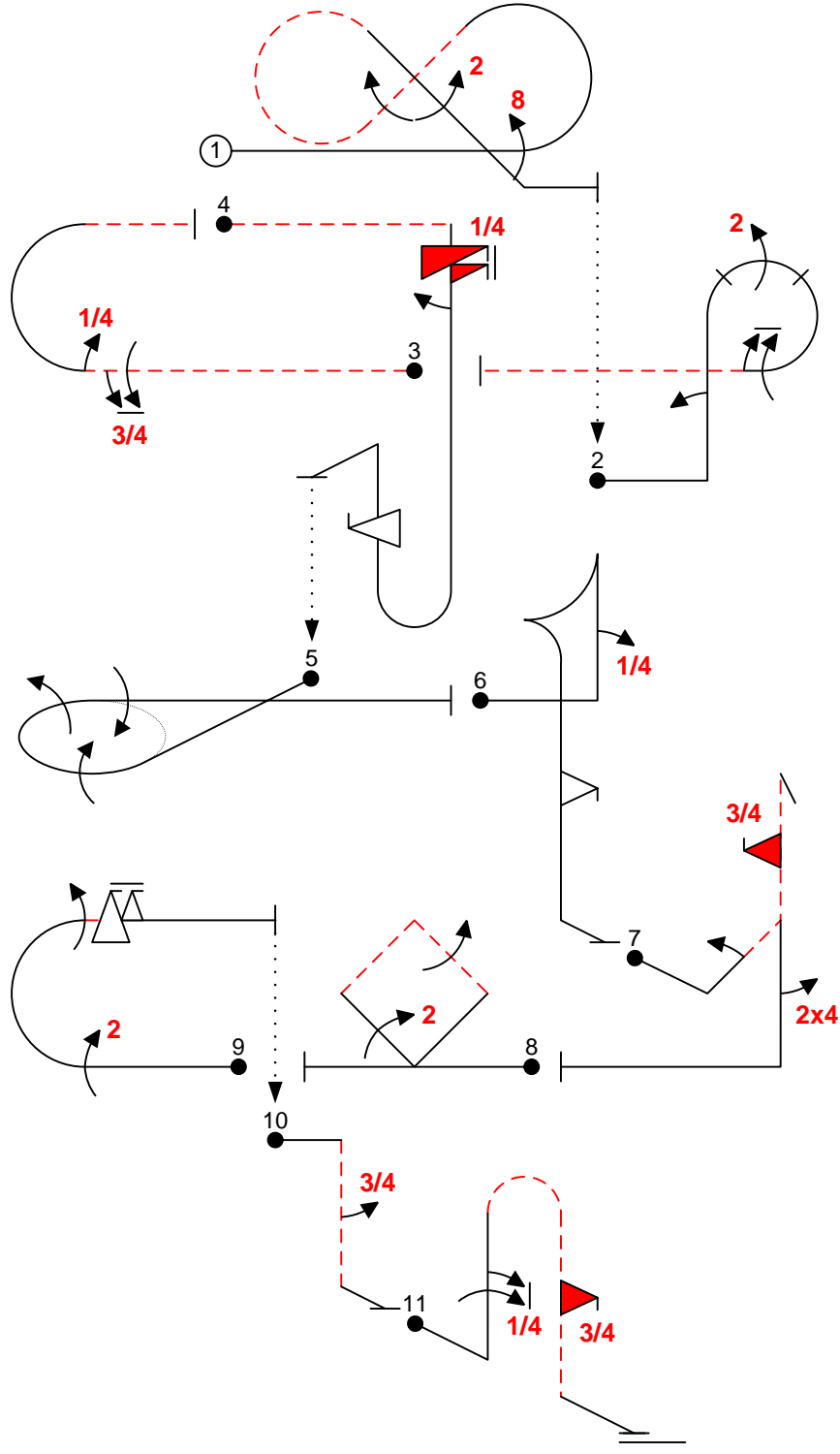
pilot



| | | |
|----------|-------------------------|----------------------------------|
| B | Contest: | Category: Unlimited |
| Date: | Program: Unknown | Pilot's No. <input type="text"/> |

wind direction

Pilot:



A/C:

(signature/date)

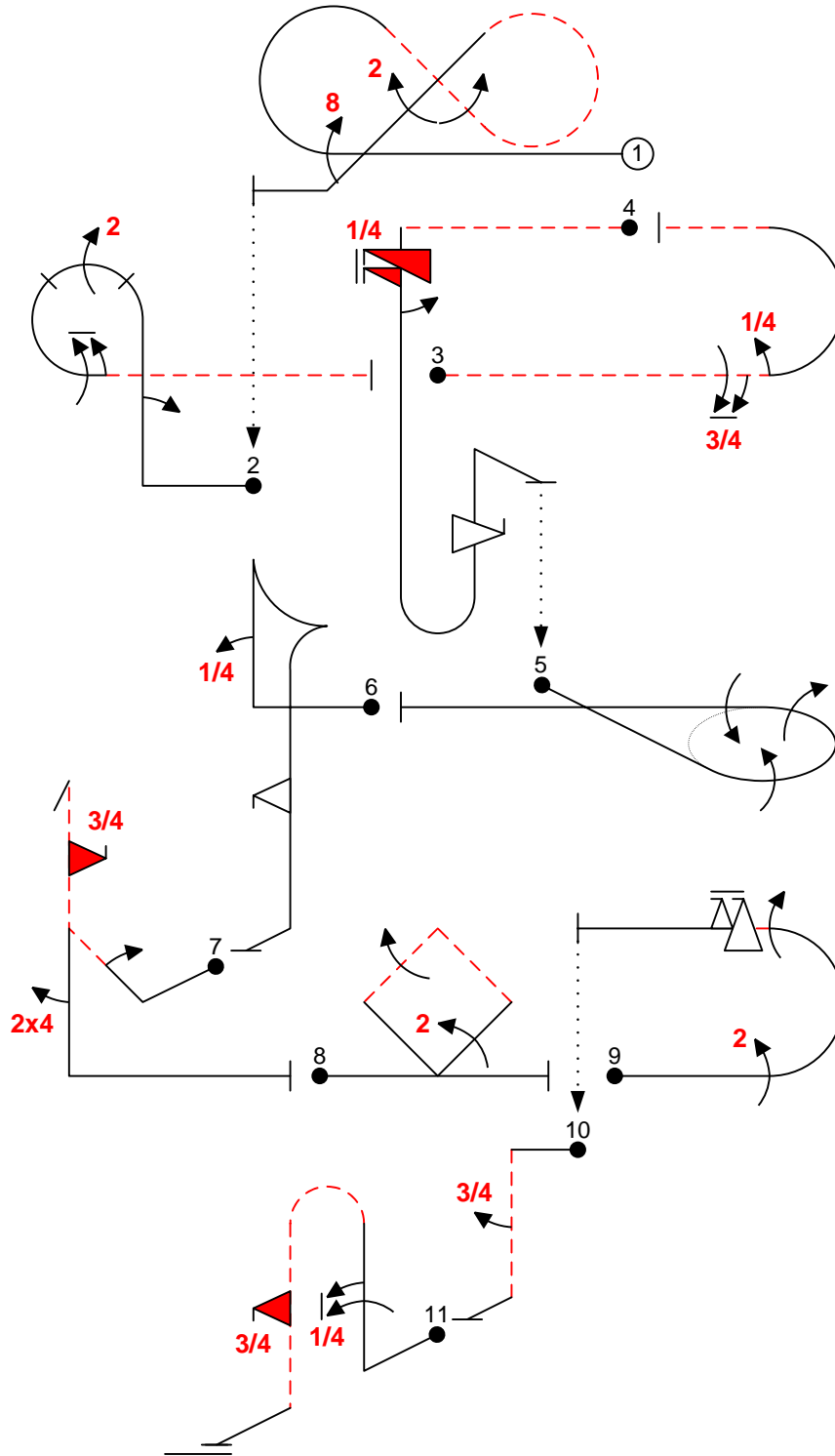
FREE PROGRAM CHECK BY:



| | | |
|----------|-------------------------|----------------------------------|
| C | Contest: | Category: Unlimited |
| Date: | Program: Unknown | Pilot's No. <input type="text"/> |

wind direction

Pilot: _____



A/C: _____

(signature/date)

FREE PROGRAM CHECK BY: _____