

INTERNATIONAL AEROBATIC CLUB SCORESHEET

A

Contest:	Date:	Category: Unlimited	Programme: Unknown	pilot's number	
----------	-------	-------------------------------	------------------------------	----------------	--

No	Symbol	Catalogue No.	K	Total K	Grade	Remarks
1		1.1.6.2 9.10.1.4	11 17	28		
2		8.6.1.4 9.12.1.4 9.1.5.3 9.9.3.4	12 7 6 11	36		
3		8.6.7.2 9.4.3.2 9.8.5.2	12 5 7	24		
4		7.2.2.1 9.4.3.4 9.1.3.4 9.1.3.6	6 11 8 10	35		
5		1.1.6.3 9.1.5.3 9.1.5.1	10 6 2	18		
6		5.2.1.3 9.9.1.4 9.1.5.3	18 15 6	39		
7		1.1.6.2 9.1.1.1 9.1.1.3	11 6 10	27		
8		8.4.2.4 9.1.5.2 9.1.5.1 9.1.1.4	14 4 2 12	32		
9		8.5.2.1 9.9.2.2	10 13	23		
10		6.2.2.1 9.4.1.4 9.9.5.4	15 15 11	41		
11		8.5.6.1 9.1.4.2	10 4	14		
12		1.2.5.1 9.4.1.3 9.1.1.3	14 12 10	36		
13		2.4.4.4	47	47		

Presentation	20	
---------------------	-----------	--

FIGURE TOTAL K =

INCLUDING PRESENTATION =

Aircraft Type:

FREE PROGRAM CHECKED BY:

Signature:	Printed Name:	Date:
		IAC No.

Judge
Name
Number



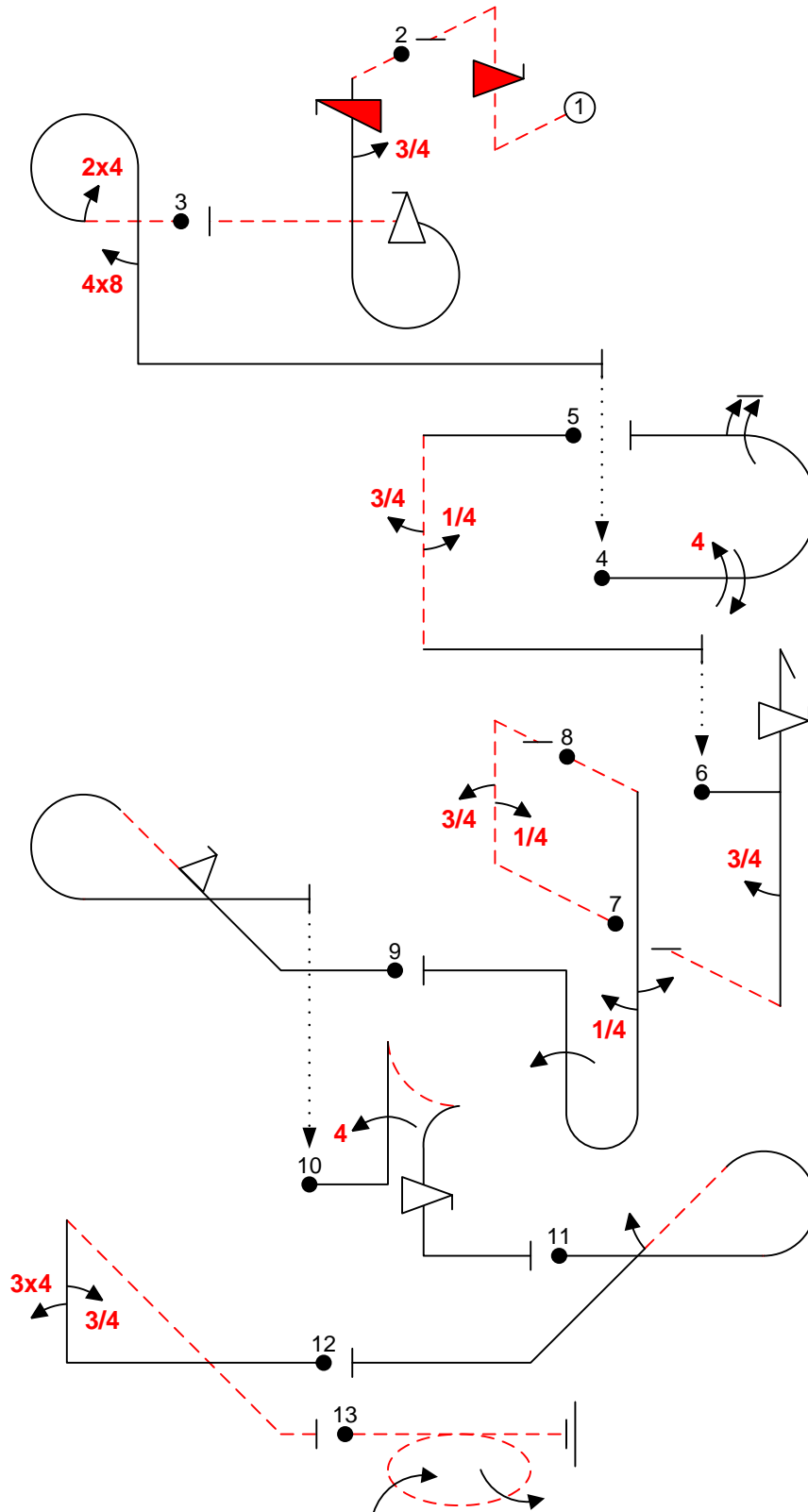
pilot



B	Contest:	Category: Unlimited
	Date:	Program: Unknown
		Pilot's No. <input type="text"/>

wind direction

Pilot:



A/C:

(signature/date)

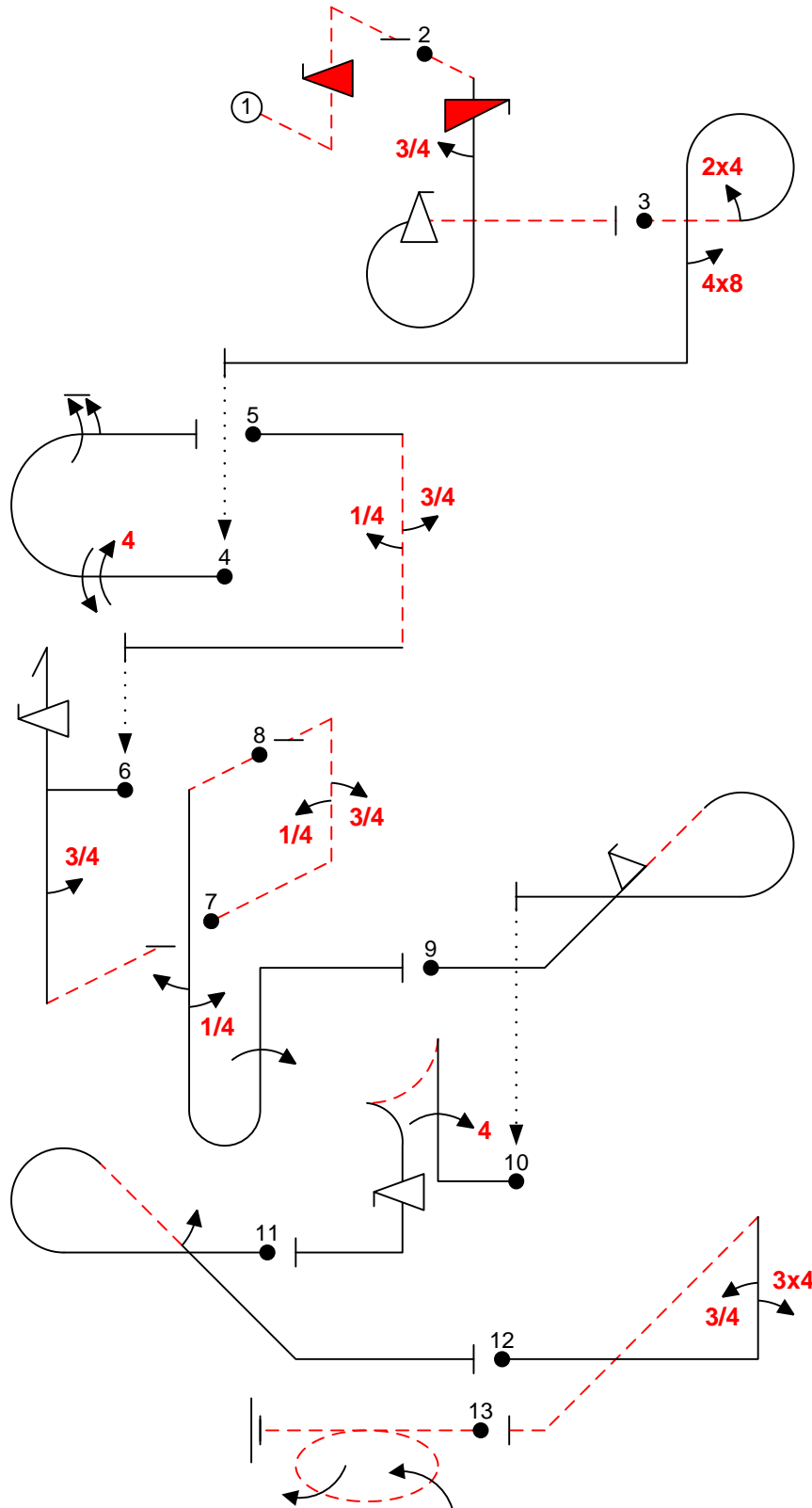
FREE PROGRAM CHECK BY:



C	Contest:	Category: Unlimited
Date:	Program: Unknown	Pilot's No. <input type="text"/>

wind direction

Pilot: _____



Created Using Aresti 2012™ software. ACCassidy@aol.com

A/C: _____

(signature/date)

FREE PROGRAM CHECK BY: _____