

INTERNATIONAL AEROBATIC CLUB SCORESHEET

A	Contest:	Date:	Category: Unlimited	Programme: Unknown	pilot's number	

No	Symbol	Catalogue No.	K	Total K	Grade	Remarks
1		8.6.8.1 9.8.3.2 9.4.3.4	15 7 11	33		
2		8.4.2.1 9.9.1.3 9.1.5.3 9.1.5.2	14 15 6 4	39		
3		7.2.1.2 9.1.3.5 9.8.3.1 9.9.8.4 9.2.3.4	8 9 3 13 9	42		
4		2.3.3.3	38	38		
5		8.6.2.4 9.12.1.5 9.10.8.6	12 6 19	37		
6		7.2.3.3 9.1.3.1 9.4.3.3 9.1.3.3 9.4.3.3	6 2 8 6 8	30		
7		6.2.1.1 9.1.1.4 9.2.5.4	15 12 9	36		
8		5.2.1.3 9.4.1.3 9.10.5.2	18 12 13	43		
9		1.2.8.2 9.4.1.3 9.10.4.2	15 12 13	40		
10		7.4.2.1 9.2.3.6	12 12	24		
11		8.6.7.2 9.4.3.2 9.2.3.8 9.1.5.1	12 5 15 2	34		

Presentation	20	
---------------------	-----------	--

FIGURE TOTAL K = 396

INCLUDING PRESENTATION = 416

Aircraft Type:

FREE PROGRAM CHECKED BY:

Signature:	Printed Name:	Date:
	IAC No.	

Judge
Name
Number

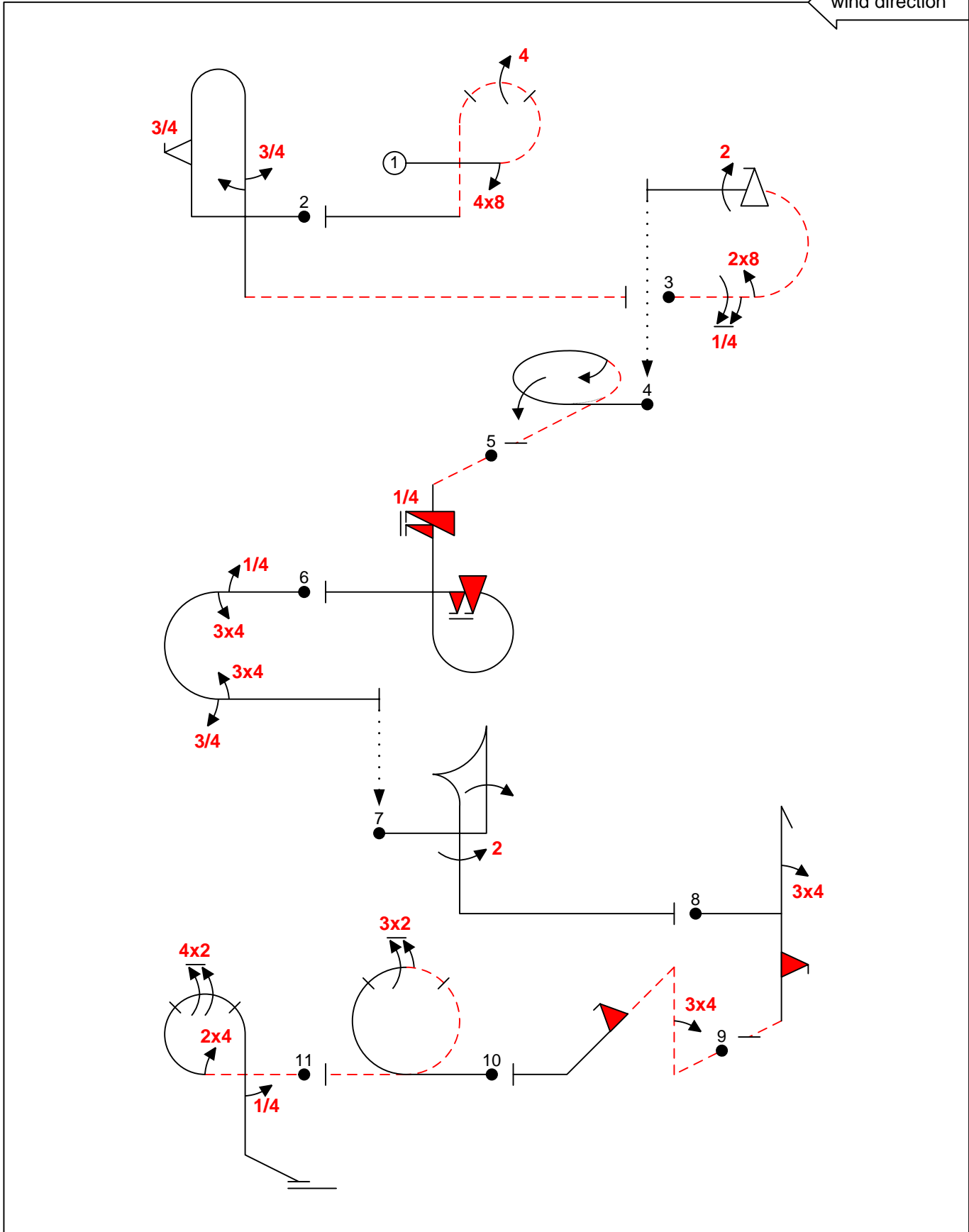




B	Contest:	Category: Unlimited
Date:	Program: Unknown	Pilot's No. <input type="text"/>

wind direction

Pilot:



A/C:

(signature/date)

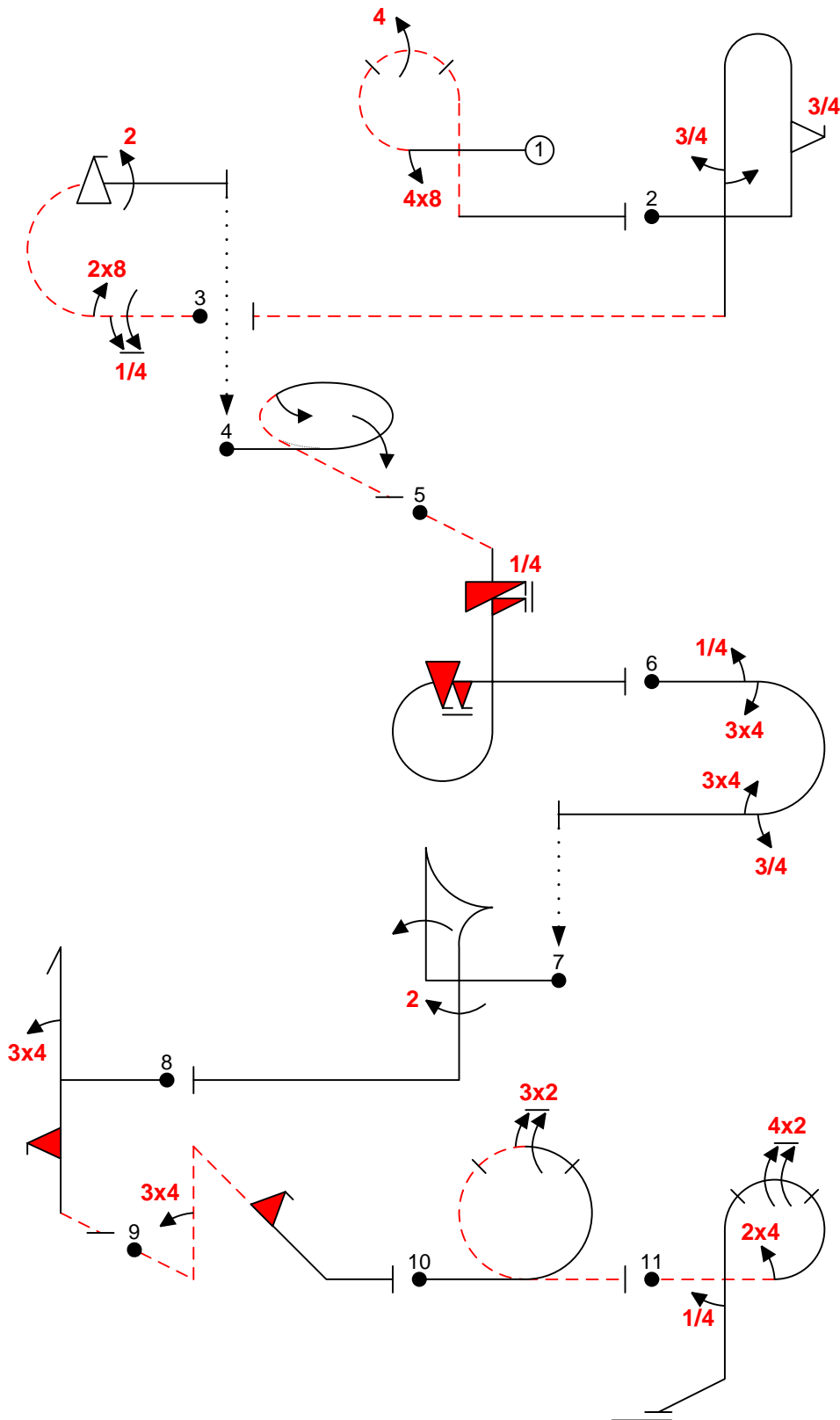
FREE PROGRAM CHECK BY:



C	Contest:	Category: Unlimited
Date:	Program: Unknown	Pilot's No. <input type="text"/>

Pilot: _____

wind direction



A/C: _____

(signature/date)

FREE PROGRAM CHECK BY: _____