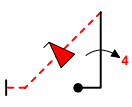
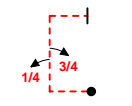
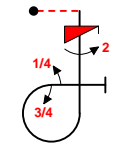
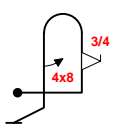
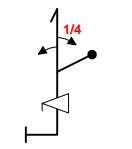
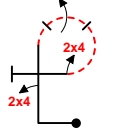
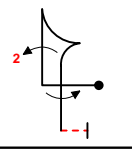
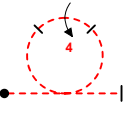
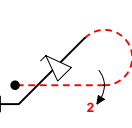
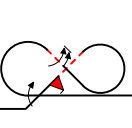
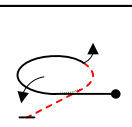


INTERNATIONAL AEROBATIC CLUB SCORESHEET

**A**

Contest:	Date:	Category: <b>Unlimited</b>	Programme: <b>Unknown</b>	pilot's number	
----------	-------	-------------------------------	------------------------------	----------------	--

No	Symbol	Catalogue No.	K	Total K	Grade	Remarks
1		1.16.1 9.4.1.4 9.10.4.4	14 15 13	42		
2		1.6.2 9.1.1.1 9.1.1.3	11 6 10	27		
3		8.39.4 9.12.1.4 9.2.5.4 9.1.3.3 9.1.3.1	12 7 9 6 2	36		
4		8.1.1 9.9.1.3 9.8.5.2	13 15 7	35		
5		5.1.1 9.1.1.2 9.1.1.1 9.9.5.4	17 8 6 11	42		
6		8.40.1 9.4.1.2 9.1.3.4 9.4.3.2	14 9 8 5	36		
7		6.1.3 9.2.1.4 9.1.5.4	16 13 8	37		
8		7.5.2 9.4.3.4	15 11	26		
9		8.41.2 9.2.3.4 9.9.4.4	12 9 11	32		
10		7.26.1 9.1.3.4 9.1.4.6 9.10.4.2	19 8 10 13	50		
11		2.18.3	37	37		

Presentation	20	
--------------	----	--

FIGURE TOTAL K =

INCLUDING PRESENTATION =

Aircraft Type:

FREE PROGRAM CHECKED BY:

Signature:	Printed Name:	Date:
		IAC No.

Judge
Name
Number



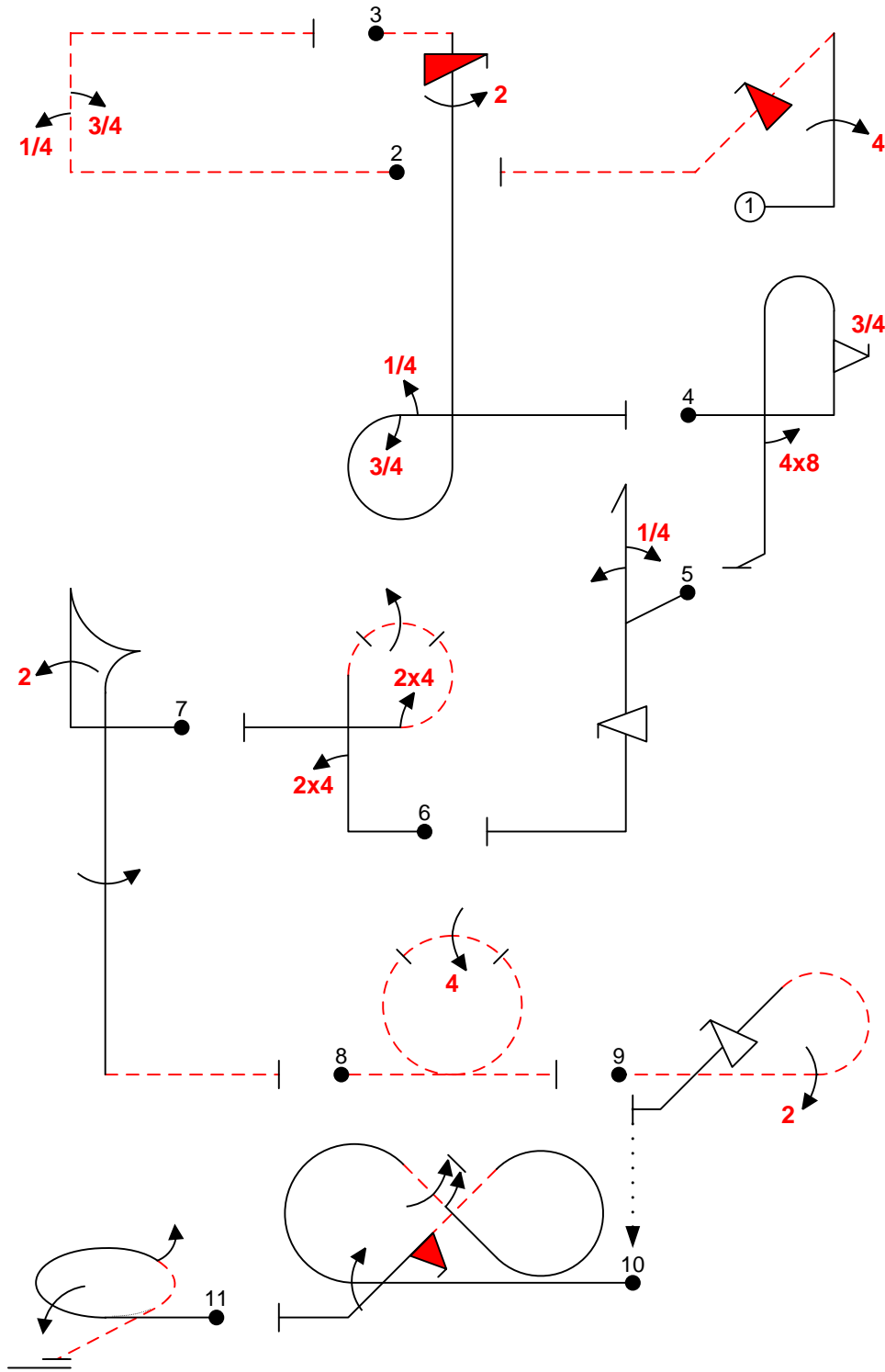
pilot



<b>B</b>	Contest:	Category: <b>Unlimited</b>
Date:	Program: <b>Unknown</b>	Pilot's No. <input type="text"/>

wind direction

Pilot:



A/C:

(signature/date)

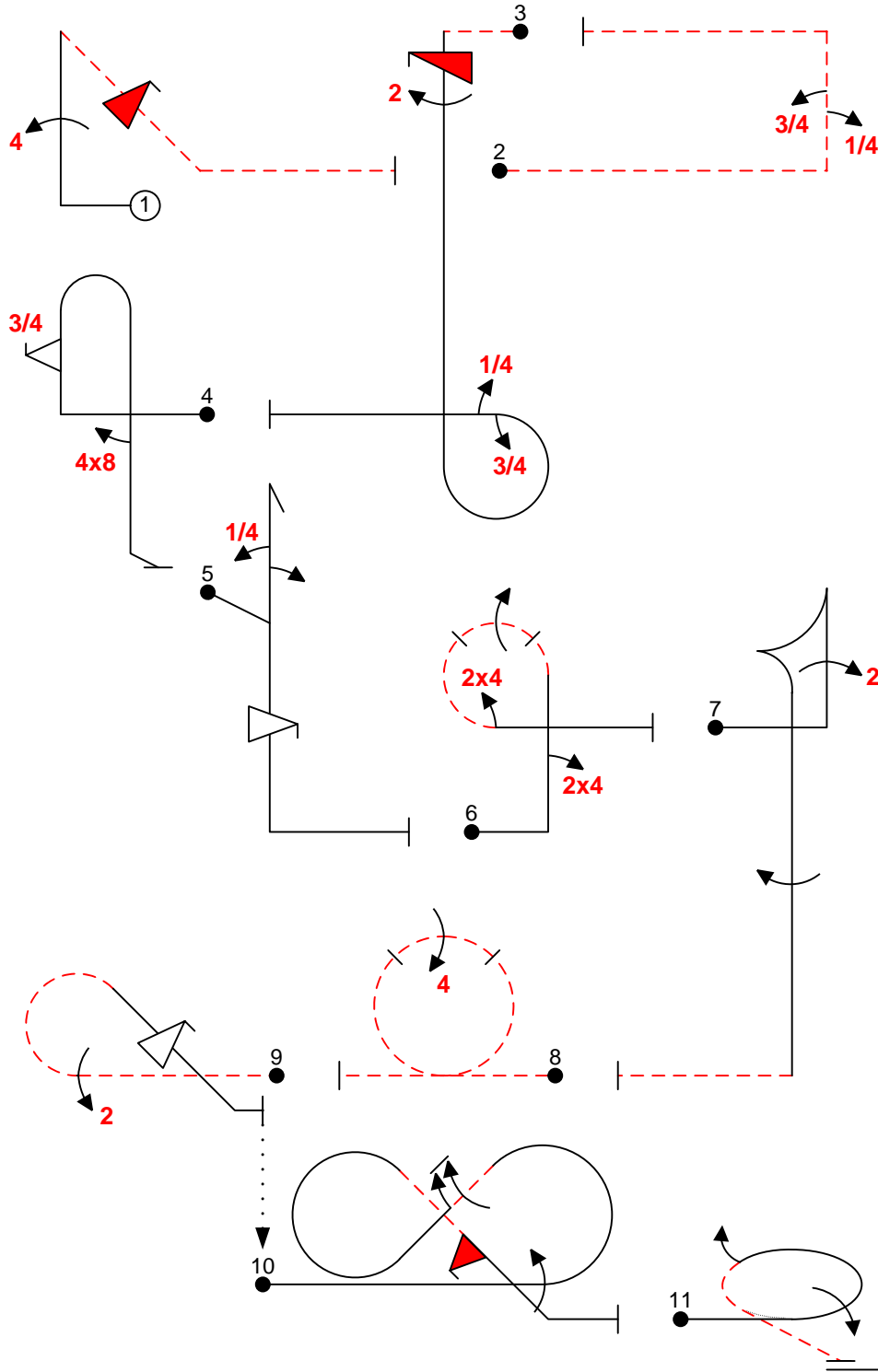
FREE PROGRAM CHECK BY:



<b>C</b>	Contest:	Category: <b>Unlimited</b>
Date:	Program: <b>Unknown</b>	Pilot's No. <input type="text"/>

wind direction

Pilot:



Created Using Aresti 2010™ software. ACCassidy@aol.com

A/C:

(signature/date)

FREE PROGRAM CHECK BY: