

INTERNATIONAL AEROBATIC CLUB SCORESHEET

A

Contest:	Date:	Category: Unlimited	Programme: Unknown	pilot's number	
----------	-------	-------------------------------	------------------------------	----------------	--

No	Symbol	Catalogue No.	K	Total K	Grade	Remarks	Item	K	Score				
1		6.1.3 9.1.1.2 9.1.1.2 9.9.5.3	16 8 8 11	43			Presentation	20					
2		1.16.2 9.4.1.3 9.10.9.4	16 12 15	43			FIGURE TOTAL K =		399				
3		1.10.1 9.4.2.4	9 13	22			INCLUDING PRESENTATION =		419				
4		8.39.4 9.12.1.4 9.1.3.6	12 7 10	29			Aircraft Type:						
5		8.1.1 9.1.1.3 9.9.5.2	13 10 11	34			<p style="writing-mode: vertical-rl; transform: rotate(180deg);">FREE PROGRAM CHECKED BY:</p> <table border="1"> <tr> <td>Signature:</td> <td>Date:</td> </tr> <tr> <td>IAC No.</td> <td></td> </tr> </table>	Signature:	Date:	IAC No.			
Signature:	Date:												
IAC No.													
6		5.1.3 9.10.6.3 9.1.5.3 9.1.5.1	18 19 6 2	45									
7		7.3.2 9.2.3.6	7 12	19									
8		7.5.4 9.4.3.4	11 11	22									
9		2.17.2	24	24				Judge					
10		8.3.1 9.1.1.3 9.1.1.1 9.10.5.3	15 10 6 13	44				Name					
11		5.1.3 9.9.1.3 9.4.5.2	18 15 5	38				Number					
12		5.2.2 9.4.1.2 9.1.5.1	25 9 2	36									



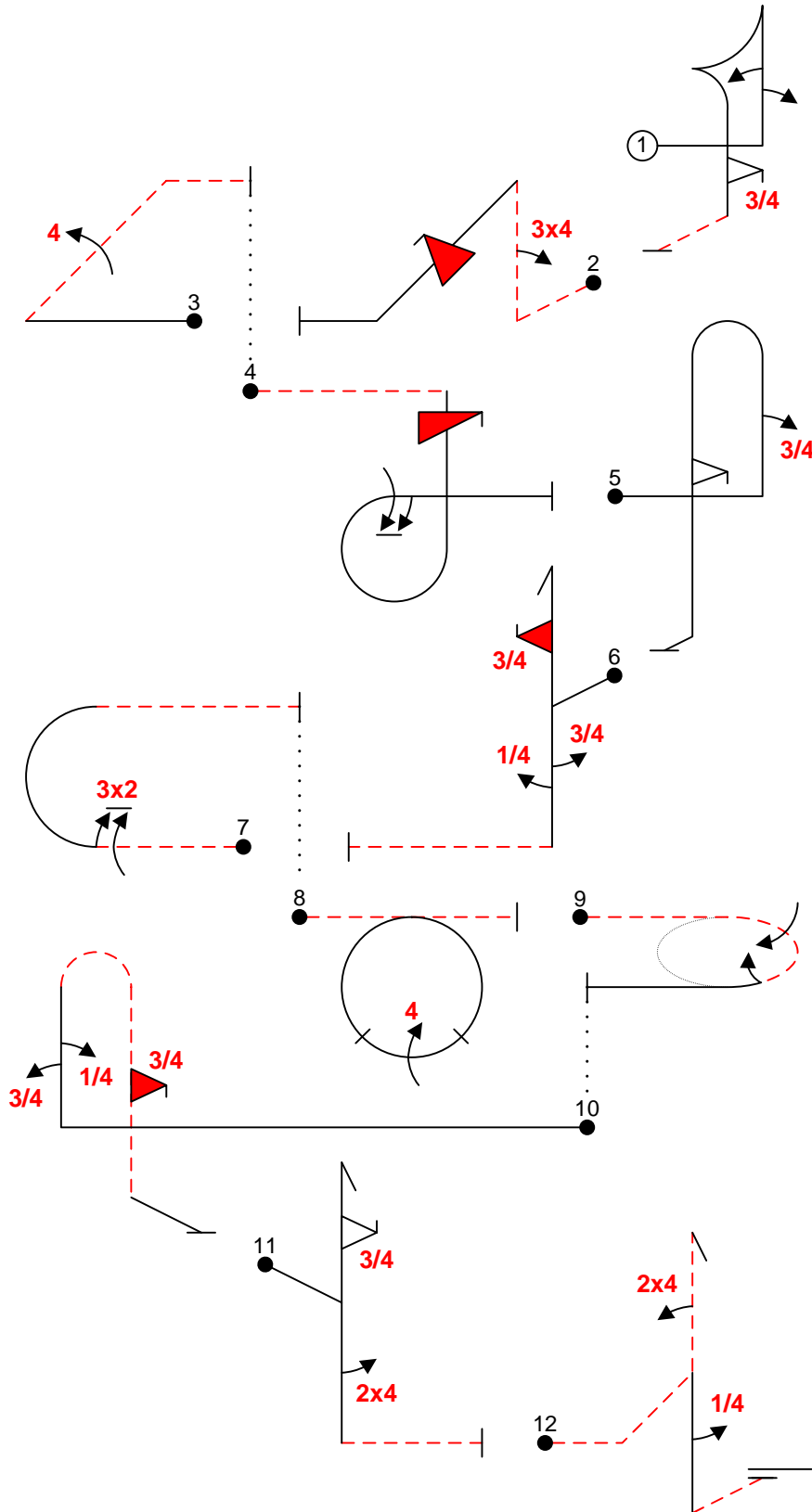
pilot



B	Contest:	Category: Unlimited
Date:	Program: Unknown	Pilot's No. <input type="text"/>

wind direction

Pilot:



A/C:

(signature/date)

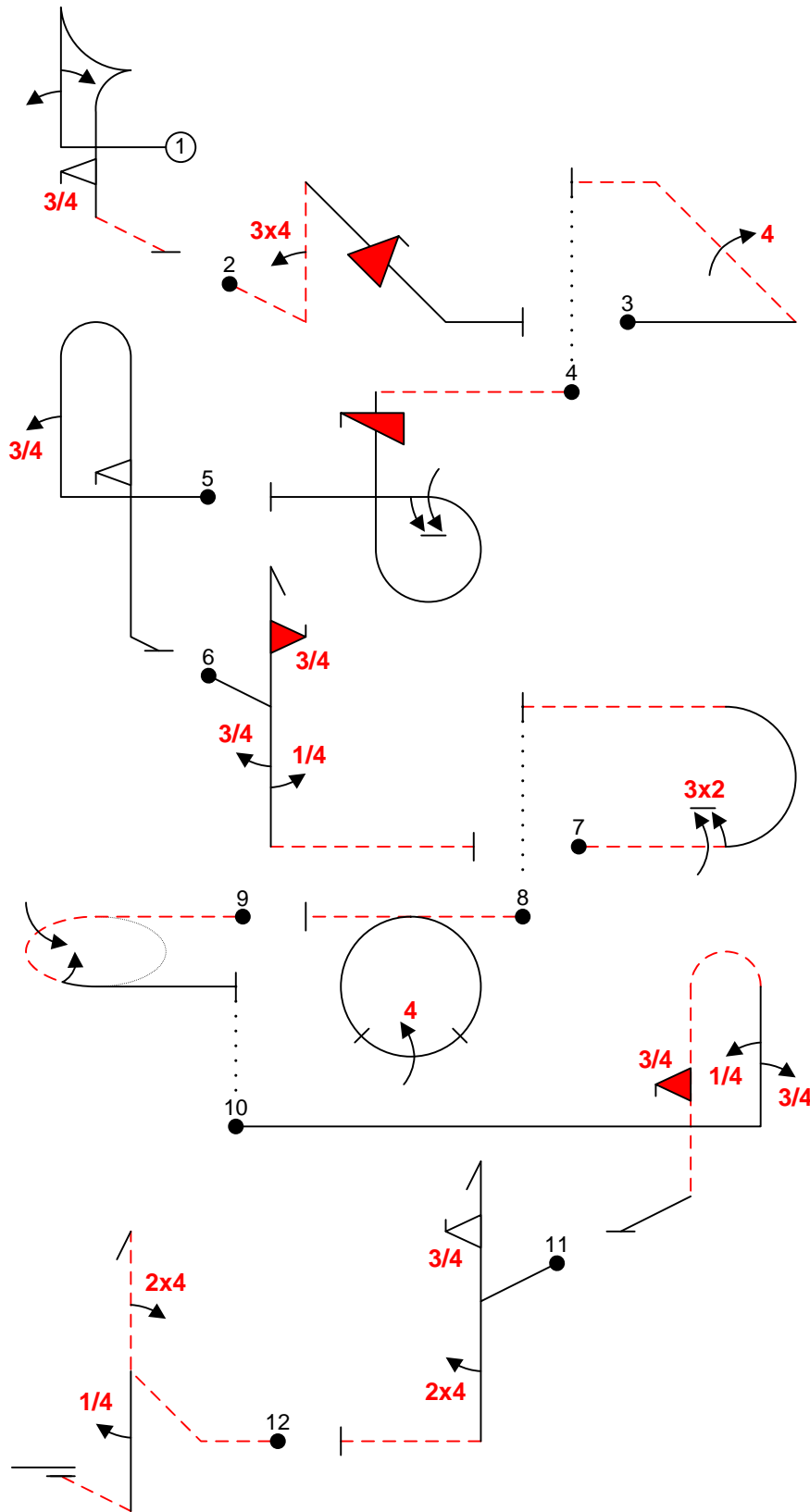
FREE PROGRAM CHECK BY:



C	Contest:	Category: Unlimited
Date:	Program: Unknown	Pilot's No. <input type="text"/>

wind direction

Pilot: _____



A/C: _____

FREE PROGRAM CHECK BY: (signature/date) _____

FREE PROGRAM CHECK BY: (signature/date) _____