

INTERNATIONAL AEROBATIC CLUB SCORESHEET

A	Contest:				Date:	Category:	Programme:	pilot's number			
						Unlimited	Unknown				
No	Symbol	Catalogue No.	K	Total K	Grade	Remarks	Item	K	Score		
1		6.1.1 9.2.5.4	15 9	24			Presentation	20			
2		5.2.3 9.1.2.4 9.1.1.1 9.4.5.2	20 10 6 5	41							
3		1.17.2 9.1.1.4 9.8.1.1 9.2.4.4	16 12 7 9	44							
4		7.4.2 9.1.3.4 9.1.3.2 9.8.3.2	6 8 4 7	25							
5		1.17.3 9.11.1.4 9.1.5.4 9.9.2.4	15 5 8 13	41							
6		2.13.1	35	35							
7		2.3.3	15	15							
8		8.1.1 9.10.6.3	13 19	32							
9		8.40.1 9.1.1.5 9.1.3.2	14 14 4	32							
10		8.14.1 9.2.2.4 9.1.4.6	12 11 10	33							
11		8.42.1 9.4.3.4 9.9.9.6	10 11 16	37							
12		5.1.3 9.9.1.4 9.1.5.1 9.1.5.3	18 15 2 6	41							

FIGURE TOTAL K =

INCLUDING PRESENTATION =

Aircraft Type:

FREE PROGRAM CHECKED BY:

Signature:	Date:
	IAC No.

Judge
Name
Number



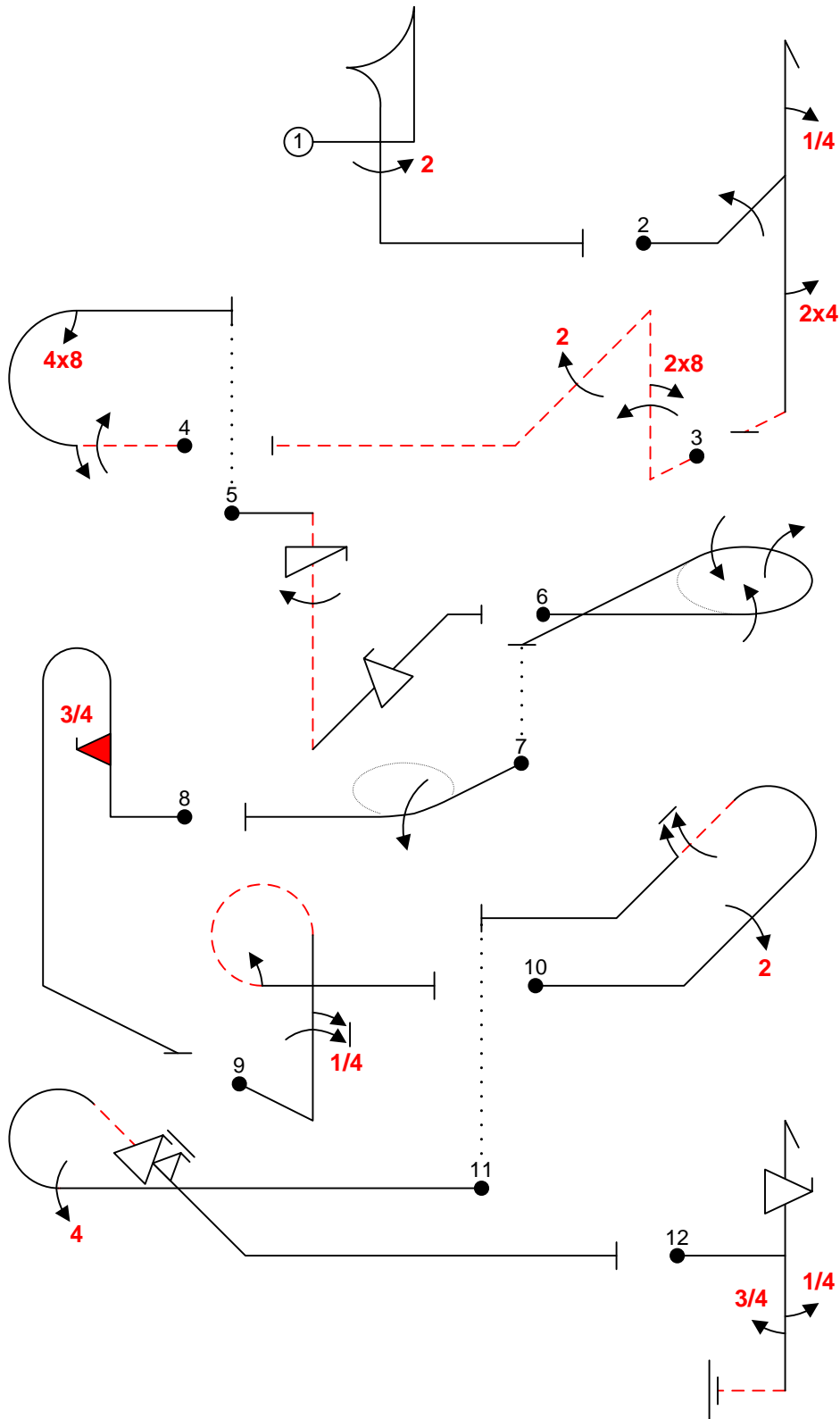
pilot



B	Contest:	Category: Unlimited
Date:	Program: Unknown	Pilot's No. <input type="text"/>

wind direction

Pilot:



A/C:

(signature/date)

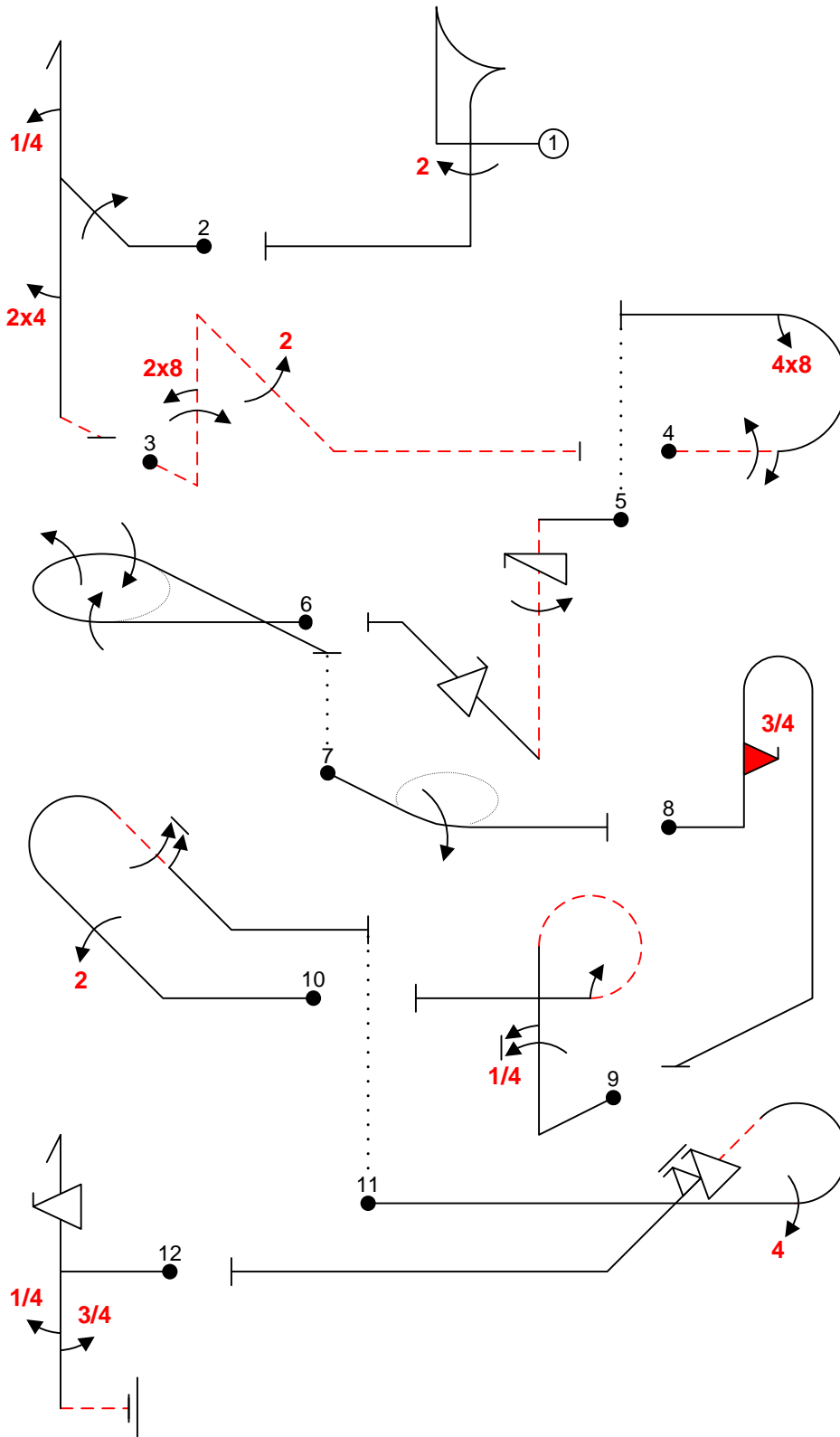
FREE PROGRAM CHECK BY:



C	Contest:	Category: Unlimited
Date:	Program: Unknown	Pilot's No. <input type="text"/>

wind direction

Pilot: _____



A/C: _____

(signature/date)

FREE PROGRAM CHECK BY: _____