

INTERNATIONAL AEROBATIC CLUB SCORESHEET

A

Contest:	Date:	Category: Unlimited	Programme: Unknown	pilot's number	
----------	-------	-------------------------------	------------------------------	----------------	--

No	Symbol	Catalogue No.	K	Total K	Grade	Remarks	Item	K	Grade	
1		1.7.1 9.2.1.4	9 13	22			Presentation	20		
2		1.14.4 9.10.4.2 9.1.1.4 9.1.1.2	12 13 12 8	45			FIGURE TOTAL K =	392		
3		8.39.4 9.12.1.4 9.1.5.2 9.8.3.2 9.2.3.4	12 7 4 7 9	39			INCLUDING PRESENTATION =	412		
4		8.1.1 9.9.1.3 9.4.5.2	13 15 5	33			Aircraft Type:			
5		5.1.3 9.8.1.2 9.1.5.4	18 11 8	37			<p style="writing-mode: vertical-rl; transform: rotate(180deg);">FREE PROGRAM CHECKED BY:</p> <p>Signature: _____</p> <p>IAC No. _____</p> <p>Date: _____</p>			
6		1.16.2 9.1.1.3 9.2.4.4	16 10 9	35				Judge		
7		7.1.1 9.4.3.4 9.9.3.4	6 11 11	28				Name		
8		7.22.4 9.4.4.2 9.1.4.6	15 5 10	30				Number		
9		6.1.3 9.4.1.4 9.10.5.4	16 15 13	44						
10		7.28.2 9.4.2.4 9.8.2.2	19 13 9	41						
11		2.20.3	38	38						



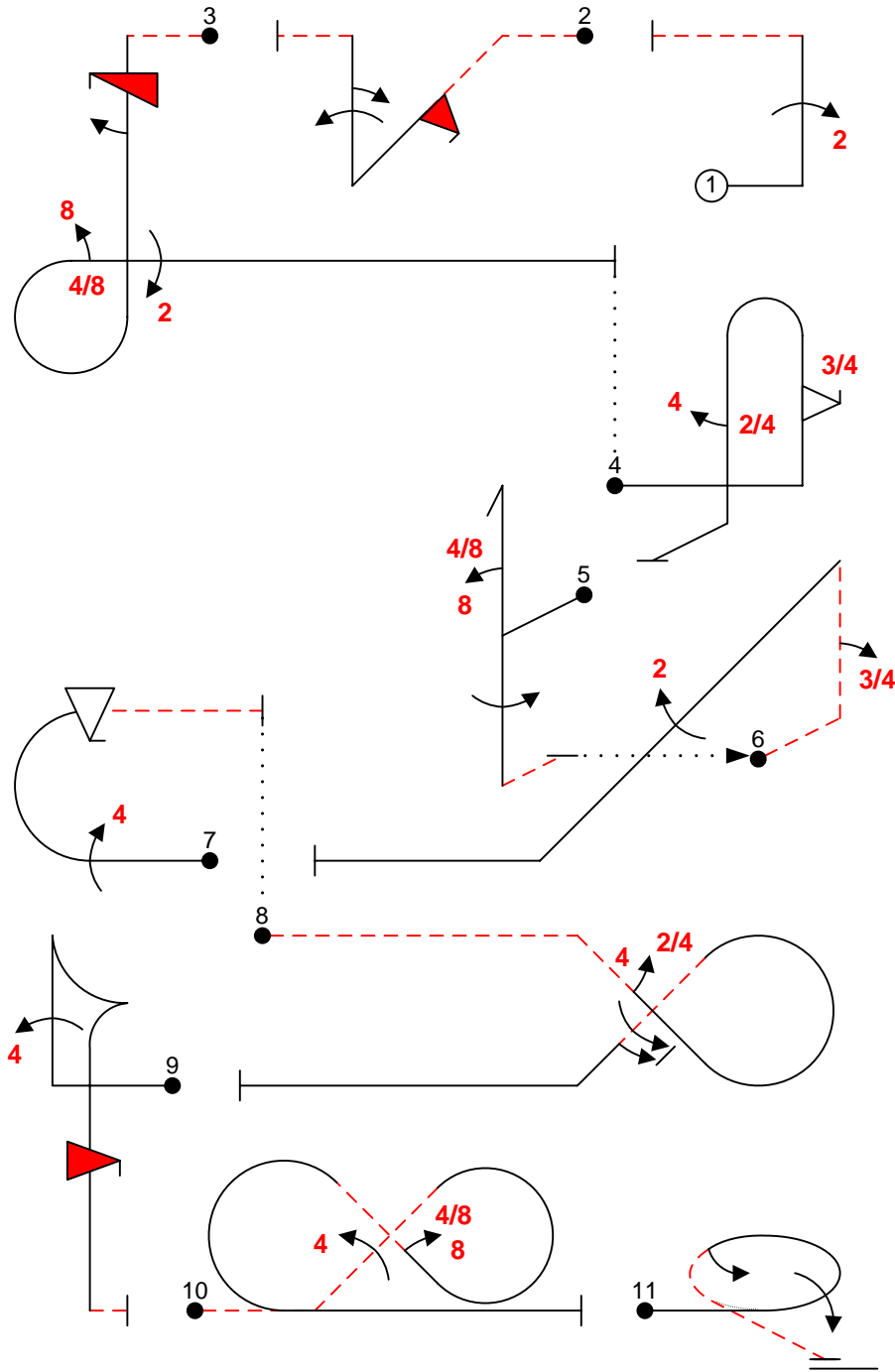
pilot



B	Contest:	Category: Unlimited
Date:	Program: Unknown	Pilot's No. <input type="text"/>

wind direction

Pilot:



A/C:

(signature/date)

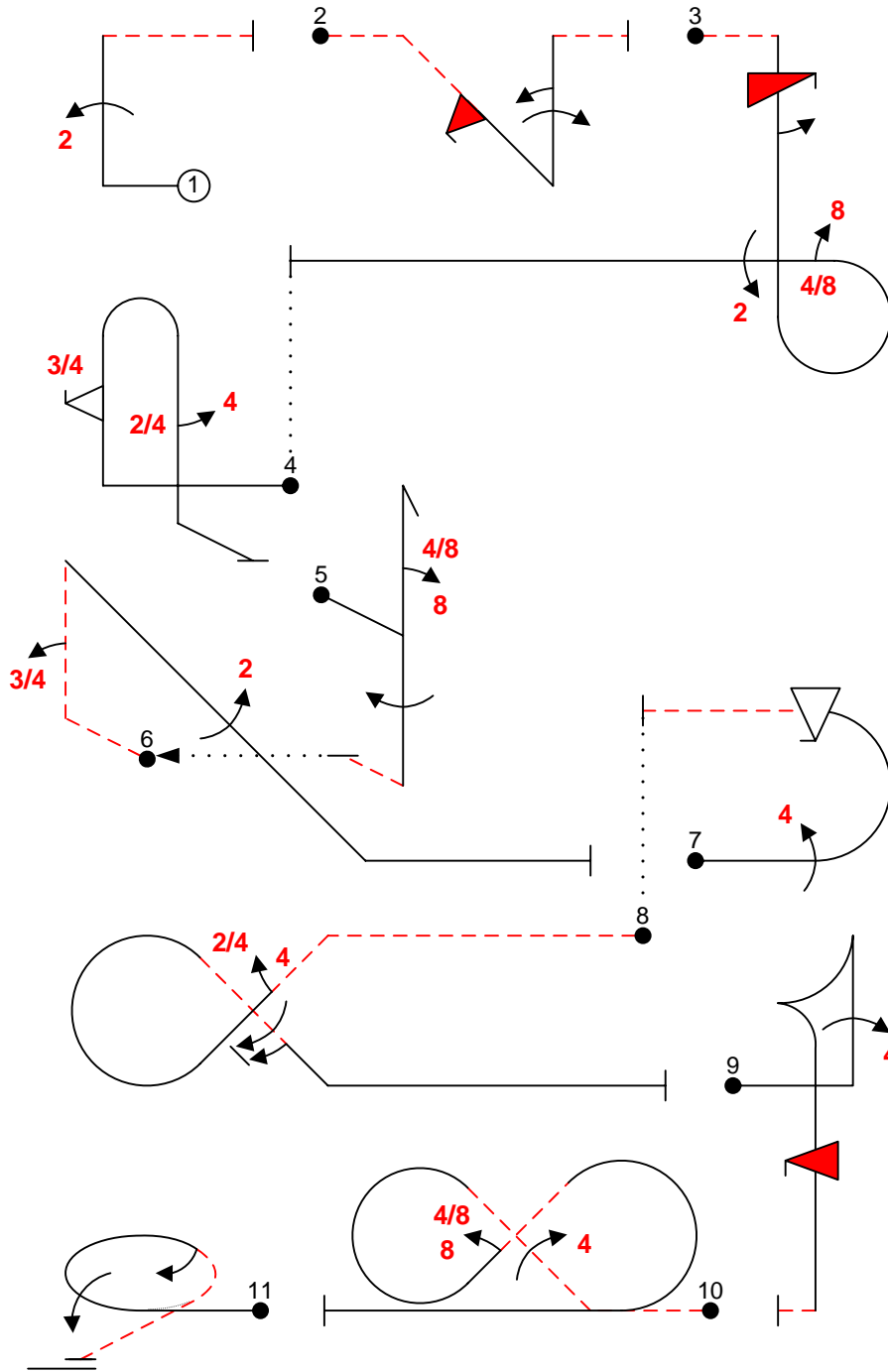
FREE PROGRAM CHECK BY:



C	Contest:	Category: Unlimited
Date:	Program: Unknown	Pilot's No. <input type="text"/>

wind direction

Pilot:



Created Using Aresti 2008™ software. ACCassidy@aol.com

A/C:

(signature/date)

FREE PROGRAM CHECK BY: