

INTERNATIONAL AEROBATIC CLUB SCORESHEET

A

Contest:	Date:	Category: Unlimited	Programme: Unknown	pilot's number	
----------	-------	-------------------------------	------------------------------	----------------	--

No	Symbol	Catalogue No.	K	Total K	Score	Remarks
1		1.7.1 9.8.1.2	9 11	20		
2		8.1.4 9.9.5.2 9.2.1.4	13 11 13	37		
3		1.1.4 9.10.3.2	2 13	15		
4		1.6.3 9.11.1.5	10 4	14		
5		5.1.1 9.9.1.3 9.1.5.4	17 15 8	40		
6		8.33.1 9.4.1.4 9.4.3.4 9.4.3.4	11 15 11 11	48		
7		7.2.3 9.1.3.4 9.8.3.2	8 8 7	23		
8		6.2.3 9.1.1.5 9.1.5.3	16 14 6	36		
9		1.6.2 9.1.1.3	11 10	21		
10		1.7.4 9.9.5.3	9 11	20		
11		2.9.3	24	24		
12		8.42.1 9.1.3.4 9.1.2.6	10 8 12	30		
13		1.7.1 9.1.1.4	9 12	21		
14		1.3.4 9.9.9.2	7 13	20		

Presentation	20	
---------------------	----	--

FIGURE TOTAL K = 369

INCLUDING PRESENTATION = 389

Aircraft Type:

FREE PROGRAM CHECKED BY:

Signature:	Date:
IAC No.	

Judge
Name
Number



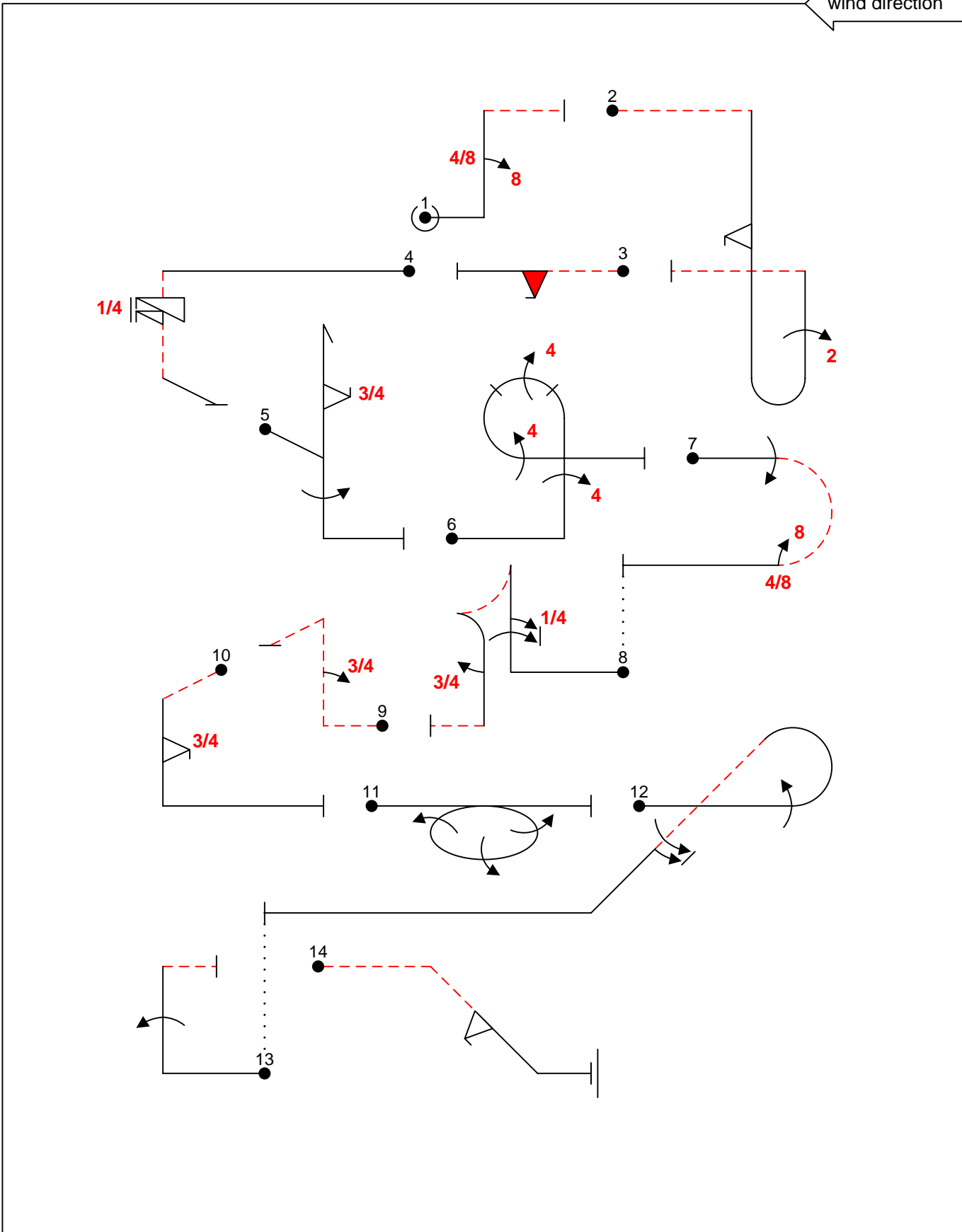
pilot



B	Contest:	Category: Unlimited
Date:	Program: Unknown	Pilot's No. <input type="text"/>

wind direction

Pilot:



A/C:

(signature/date)

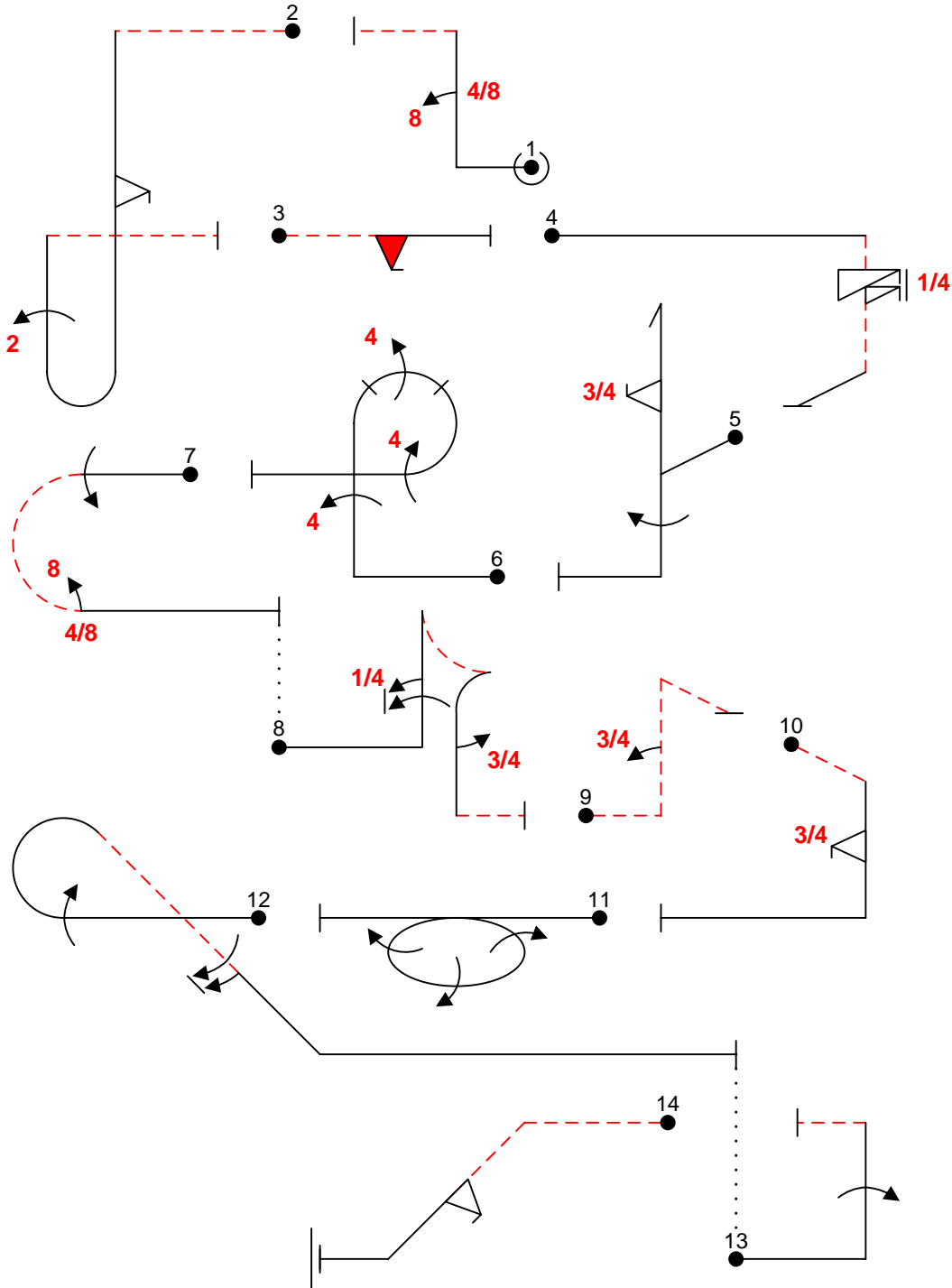
FREE PROGRAM CHECK BY:



C	Contest:	Category: Unlimited
Date:	Program: Unknown	Pilot's No. <input type="text"/>

Pilot: _____

wind direction



A/C: _____

(signature/date)

FREE PROGRAM CHECK BY: _____