

INTERNATIONAL AEROBATIC CLUB SCORESHEET

A	Contest:	Date:	Category:	Programme:	pilot's number	
			Unlimited	Unknown		

No	Symbol	Catalogue No.	K	Total K	Score	Remarks	Item	K	Score
1		1.18.4 9.12.1.6 9.4.2.2	14 5 7	26			Positioning	20	
2		8.43.4 9.1.3.4 9.8.1.1	12 8 7	27			FIGURE TOTAL K =		377
3		1.18.4 9.1.5.3 9.9.2.2	14 6 13	33			INCLUDING POSITIONING =		397
4		8.32.4 9.1.4.6 9.4.3.4	11 10 11	32			Aircraft Type:		
5		1.7.4 9.1.5.3	9 6	15			FREE PROGRAM CHECKED BY: Signature: _____ Date: _____ IAC No. _____		
6		5.1.1 9.10.6.3 9.1.5.2	17 19 4	40					
7		8.41.1 9.1.3.4 9.1.4.2 9.9.9.2	10 8 4 13	35					
8		1.16.2 9.1.1.4 9.1.4.4	16 12 8	36					
9		8.1.1 9.1.1.1 9.10.10.3	13 6 15	34				Judge	
10		7.21.1 9.1.2.4 9.1.2.2	17 10 6	33				Name	
11		7.4.3 9.9.3.6 9.1.3.6	6 14 10	30				Number	
12		8.1.2 9.1.1.3 9.4.5.3	18 10 8	36					



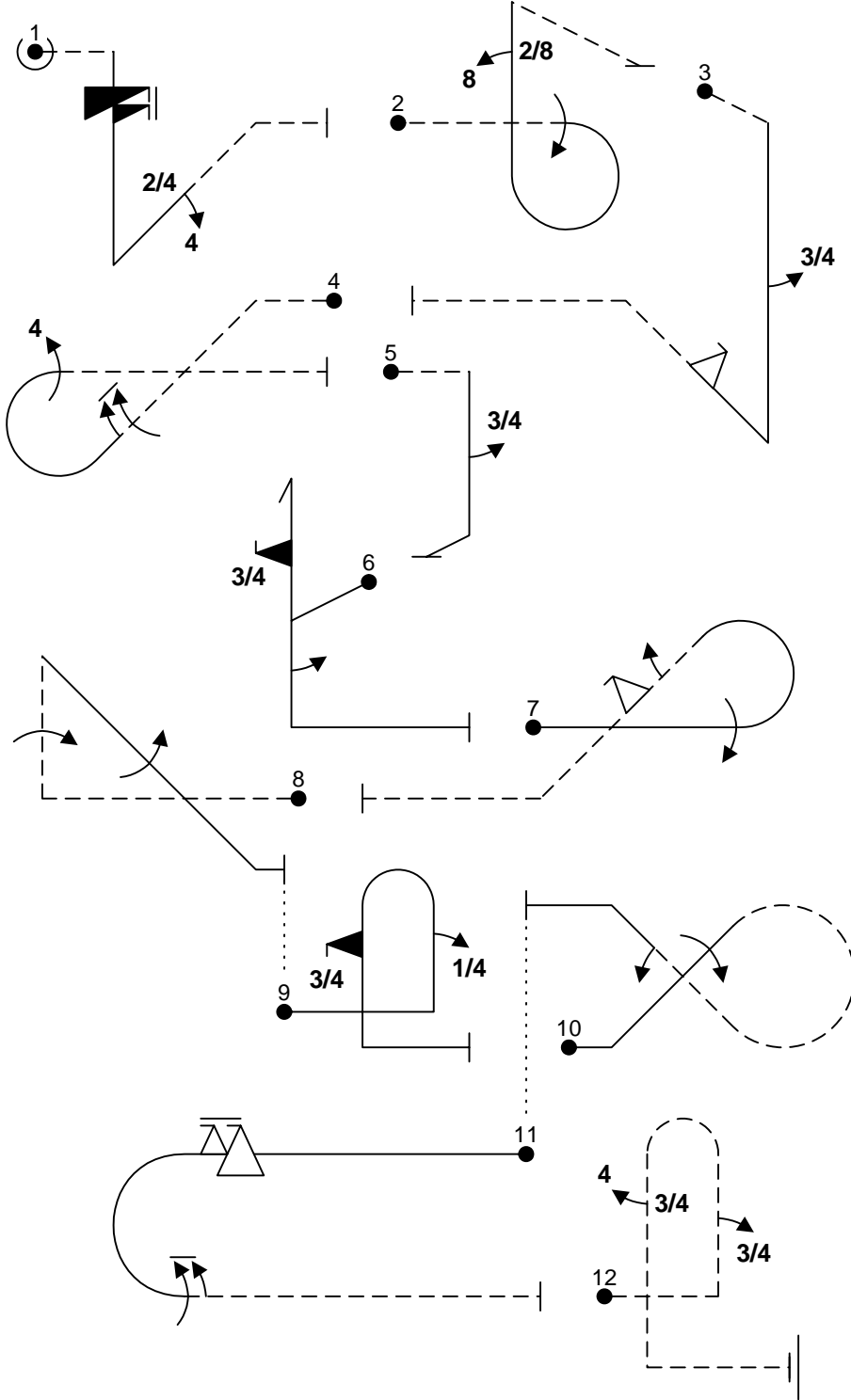
pilot



B	Contest:	Category: Unlimited
Date:	Program: Unknown	Pilot's No. <input type="text"/>

wind direction

Pilot:



A/C:

(signature/date)

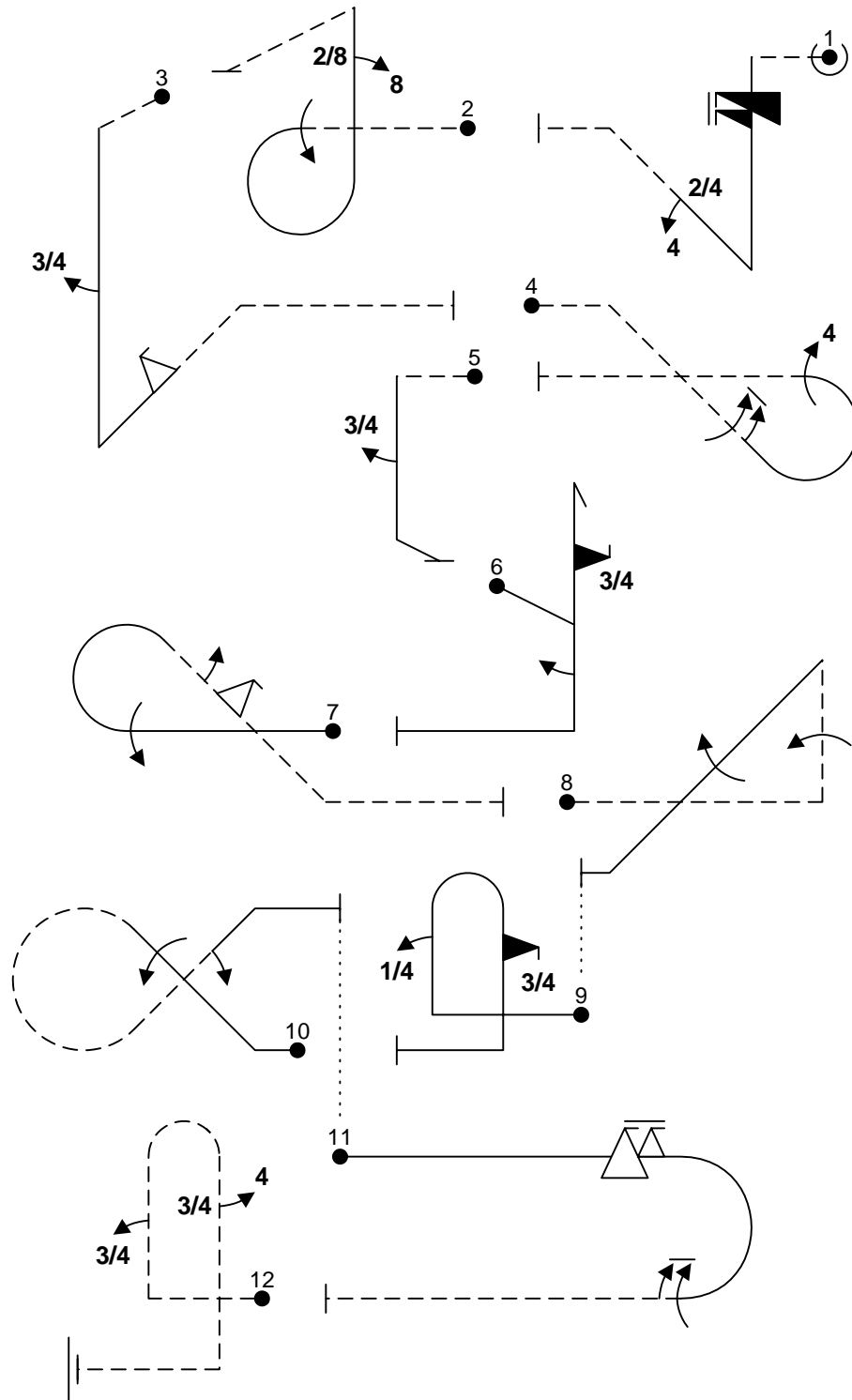
FREE PROGRAM CHECK BY:



C	Contest:	Category: Unlimited
Date:	Program: Unknown	Pilot's No. <input type="text"/>

wind direction

Pilot:



A/C:

(signature/date)

FREE PROGRAM CHECK BY: