

A INTERNATIONAL AEROBATIC CLUB SCORESHEET					Contest:			Date:		Category		Programme		pilot's number	
										Unlimited		Unknown			
No	Symbol	Catalog No	K	Tot. K	Score	Remarks	No	Symbol	Catalog No	K	Tot. K	Score	Remarks		
1		8.44.1 9.2.3.4 9.9.3.4 9.1.5.3	12 9 11 6	38			13								
2		5.1.2 9.1.1.3	23 10	33			14								
3		7.22.4 9.4.4.2 9.10.4.2	15 5 13	33			15								
4		8.3.1 9.4.1.4 9.8.5.2	15 15 7	37			16								
5		6.1.1 9.4.1.3 9.9.5.3	15 12 11	38			17								
6		7.1.1 9.1.3.6 9.4.3.2 9.4.3.2 9.9.3.2	6 10 5 5 11	37			18								
7		1.2.4 9.10.4.4	8 13	21			POSITIONING				20				
8		8.3.2 9.10.1.3 9.1.5.4	16 17 8	41			FIGURE TOTAL K =				398				
9		8.44.2 9.8.3.2 9.1.3.2 9.1.5.1	15 7 4 2	28			INCLUDING POSITIONING =				418				
10		1.14.1 9.8.2.2 9.2.5.4	12 9 9	30			JUDGE'S NAME								
11		2.12.3	28	28			JUDGE'S NUMBER								
12		8.18.3 9.2.4.4 9.1.2.6	13 9 12	34			FREE PROGRAM CHECKED BY:								
							AIRCRAFT TYPE								



pilot's name
(print)



B	Contest:		Category:	Unlimited	
Date:		Prog:	Unknown	pilot's number	

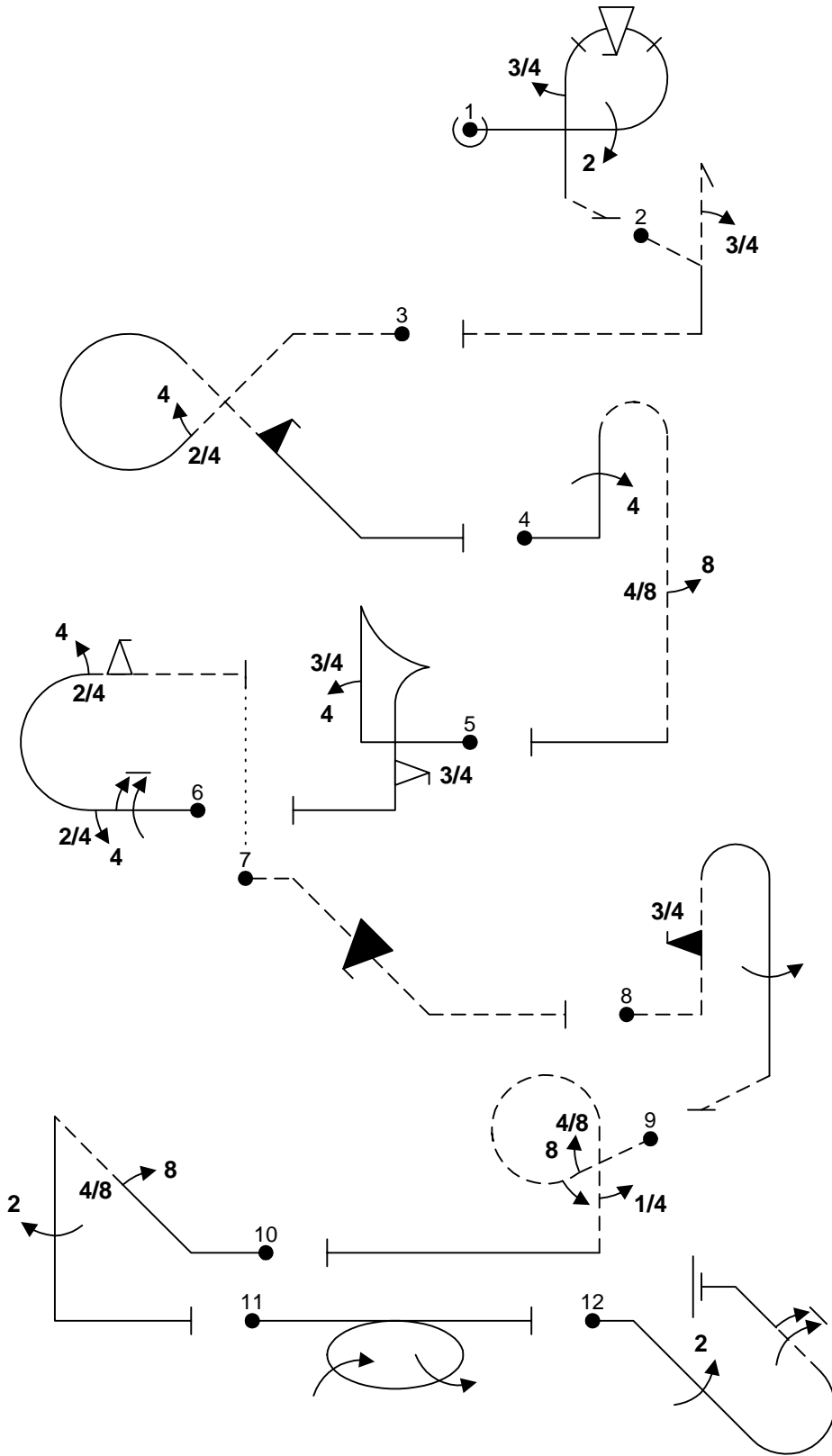
wind direction

Pilot:

A/C:

(signature/date)

FREE PROGRAM CHECK BY:

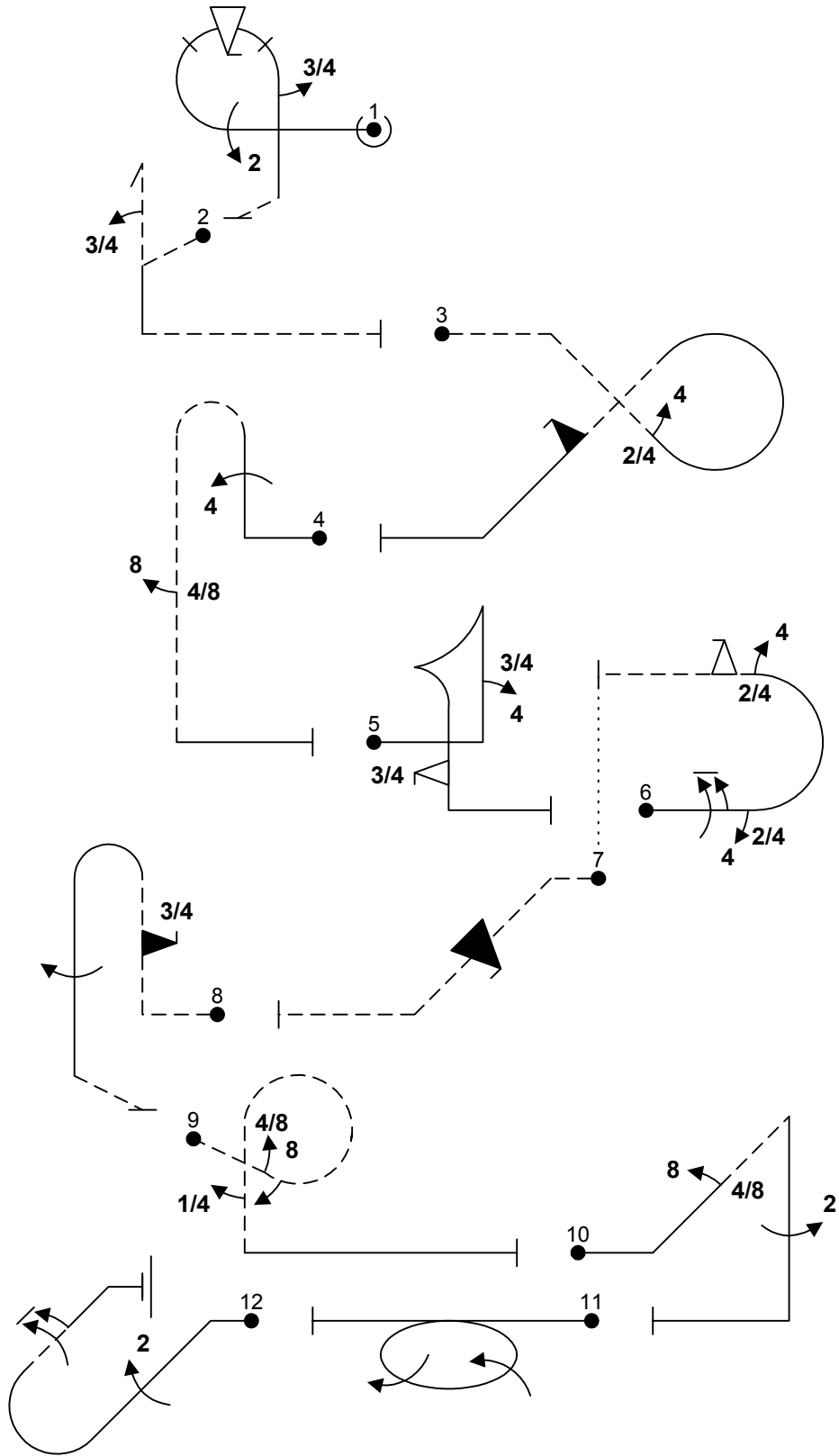




C	Contest:		Category:	Unlimited	
Date:		Prog:	Unknown	pilot's number	

Pilot:

wind direction



A/C:

(signature/date)

FREE PROGRAM CHECK BY: