

# 27th FAI World Aerobatic Championships

2013

Form A

Pilot ID	<b>Unlimited Free</b>								Flight #
----------	-----------------------	--	--	--	--	--	--	--	----------

No	Symbol	Cat. No.	K	Total K	Example marks:		Remarks	Pos	Item	K	Grade			
					[7][5]	[0][0]								
					Zeros and Averages:									
					[H][Z]	[P][Z]	[A][V]							
1		5.2.1.1 9.4.1.5 9.10.5.4 9.1.5.1	17 18 13 2	50 [SF 05]					Positioning					
2		1.3.11.1 9.1.1.4 9.10.4.6 9.4.1.2	20 12 16 9	57 [SF 07]							Fig K	Total K		
											420	420		
												<b>Penalties</b>		
												Too Low		
												Disqual Fig		
												Too High		
												Outs		
												Interruptions		
												Insertions		
												Missed Slot		
												Trg Violation		
												Faulty Wing Rocks		
3		8.6.2.4 9.12.1.5 9.1.5.3 9.9.3.6 9.1.3.4	12 6 6 14 8	46 [SF 07]										
4		6.2.2.1 9.1.5.5	15 9	24 [SF 06]										
5		1.3.14.1 9.1.1.3 9.9.4.8 9.4.1.4	22 10 17 15	64 [SF 07]							Duration	Min	Sec	
6		7.8.16.4 9.1.4.8 9.4.4.2 9.2.4.6 9.1.4.6	24 12 5 12 10	63 [SF 07]							<b>Judges Details</b>			
											Signature			
												Name		
												Number		
7		8.4.1.1 9.4.1.3 9.1.5.4	13 12 8	33 [SF 07]										
8		1.3.13.1 9.1.1.1 9.4.4.4 9.2.1.6	22 6 11 17	56 [SF 07]										
9		2.2.4.3	27	27 [SF 02]										



Hector Ramirez  
Extra 330 SC  
pilot  
A/C

Pilot ID #

Unlimited Free

Flight #

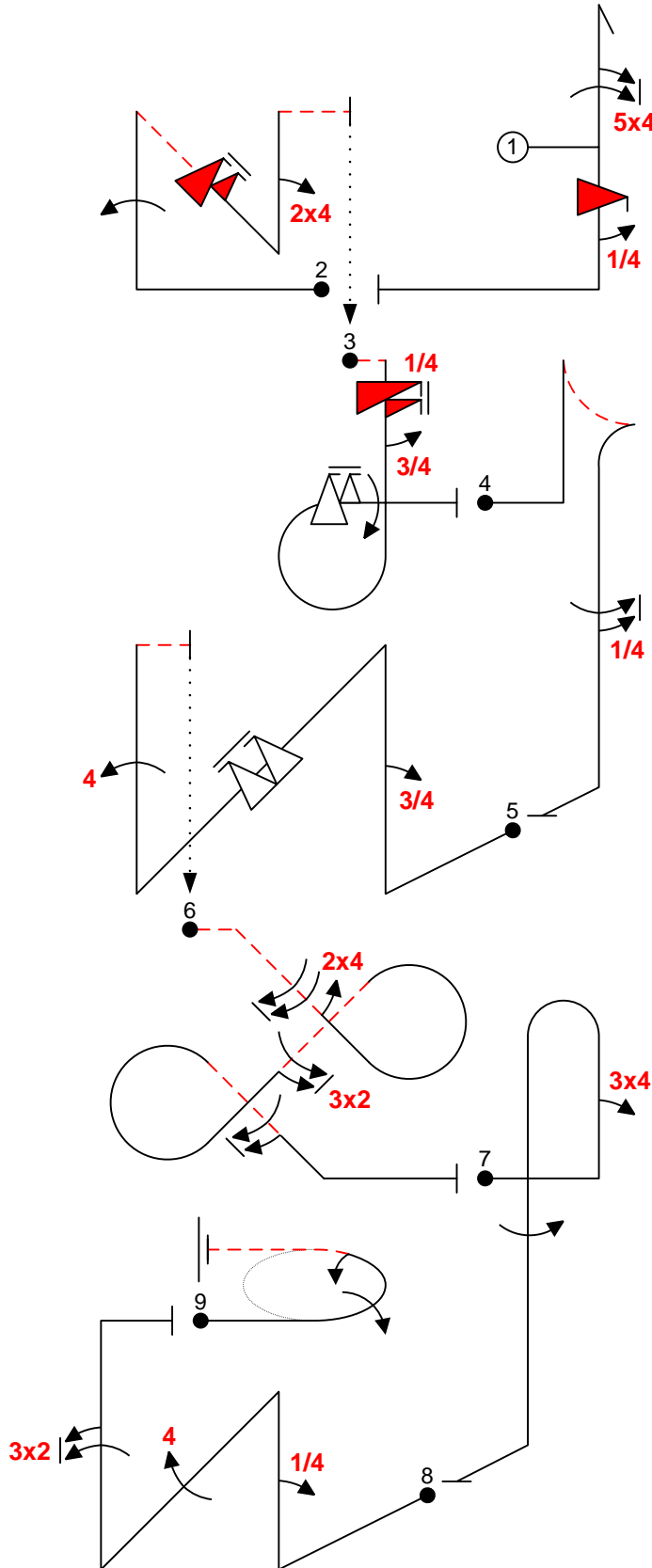
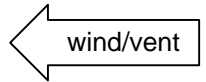


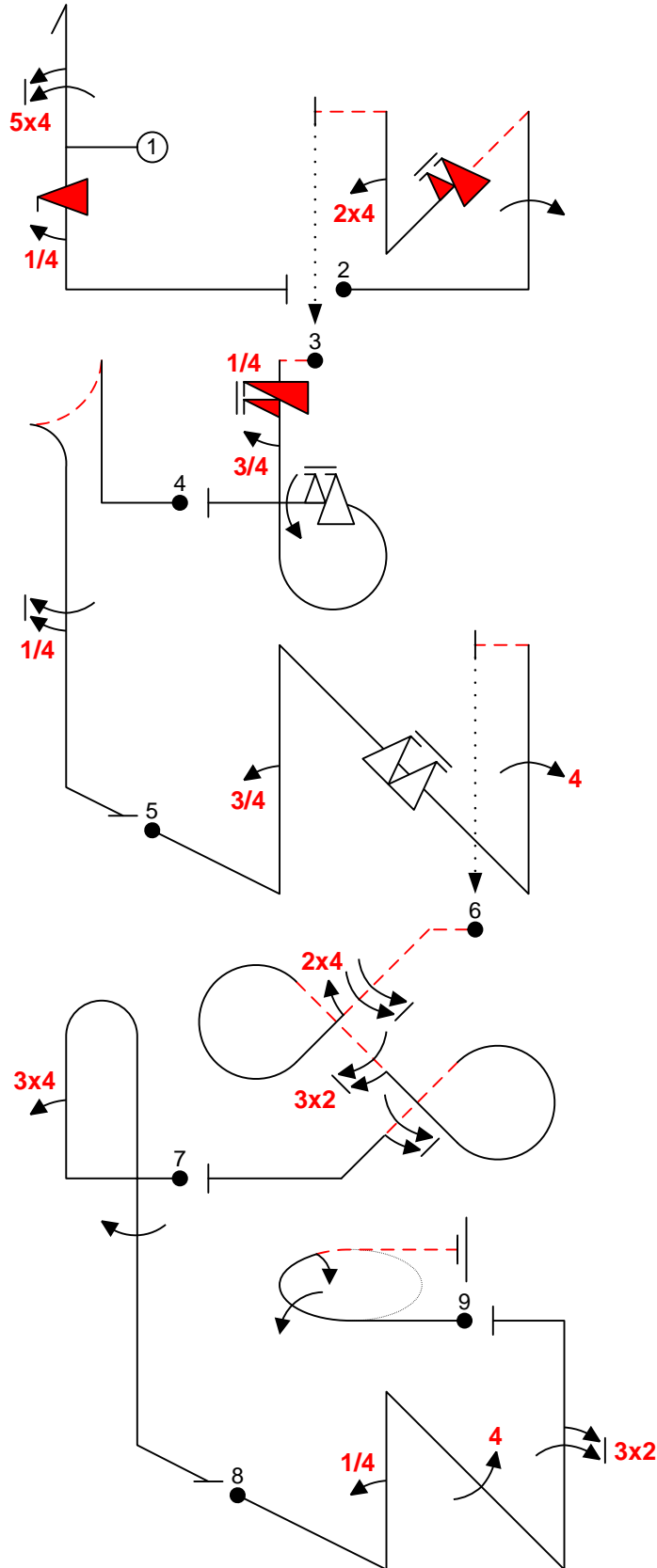
Fig 1	5.2.1.1 9.4.1.5 9.10.5.4 9.1.5.1	17 18 13 2	50
Fig 2	1.3.11.1 9.1.1.4 9.10.4.6 9.4.1.2	20 12 16 9	57
Fig 3	8.6.2.4 9.12.1.5 9.1.5.3 9.9.3.6 9.1.3.4	12 6 6 14 8	46
Fig 4	6.2.2.1 9.1.5.5	15 9	24
Fig 5	1.3.14.1 9.1.1.3 9.9.4.8 9.4.1.4	22 10 17 15	64
Fig 6	7.8.16.4 9.1.4.8 9.4.4.2 9.2.4.6 9.1.4.6	24 12 5 12 10	63
Fig 7	8.4.1.1 9.4.1.3 9.1.5.4	13 12 8	33
Fig 8	1.3.13.1 9.1.1.1 9.4.4.4 9.2.1.6	22 6 11 17	56
Fig 9	2.2.4.3	27	27
<b>Total K = 420</b>			



Pilot ID #

Unlimited Free

Flight #



Hector Ramirez  
Extra 330 SC  
pilot  
A/C