

WAC

2013

Form A

Pilot ID	Unlimited Free									Flight #
----------	----------------	--	--	--	--	--	--	--	--	----------

No	Symbol	Cat. No.	K	Total K	Example marks:		Remarks	Pos	Item	K	Grade		
					[7]	[5]					[0]	[0]	
					Zeros and Averages:								
					[H]	[Z]	[P]	[Z]	[A]	[V]			
1		5.3.1.1 9.2.2.4 9.1.1.4 9.10.5.4	18 11 12 13	54 SF 05					Positioning	40			
2		6.2.1.1 9.1.1.6 9.1.5.4	15 15 8	38 SF 06					Fig K	Total K			
									420	460	Penalties		
									Too Low				
									Disqual Fig				
									Too High				
									Outs				
									Interruptions				
									Insertions				
									Missed Slot				
									Trg Violation				
									Faulty Wing Rocks				
									Final Freestyle				
									Duration	Min	Sec		
									Judges Details				
									Signature				
									Name				
									Number				
3		1.3.13.1 9.8.1.1 9.1.1.3 9.9.4.8 9.1.1.2	22 7 10 17 8	64 SF 07									
4		1.3.16.3 9.11.1.6 9.4.5.2 9.1.2.4 9.1.2.6 9.8.5.1	21 3 5 10 12 3	54 SF 07									
5		8.4.1.1 9.2.1.4 9.1.5.5	13 13 9	35 SF 07									
6		1.2.7.1 9.4.1.4 9.10.4.6 9.1.4.8	13 15 16 12	56 SF 07									
7		5.2.1.1 9.1.1.1 9.4.1.3 9.9.5.4 9.1.5.2	17 6 12 11 4	50 SF 05									
8		7.2.2.1 9.1.3.8 9.2.3.6 9.9.3.8	6 12 12 17	47 SF 07									
9		2.2.5.1	22	22 SF 02									



Sergey Protagayev
Sukhoi-26
pilot
A/C

Pilot ID #

Unlimited Free

Flight #

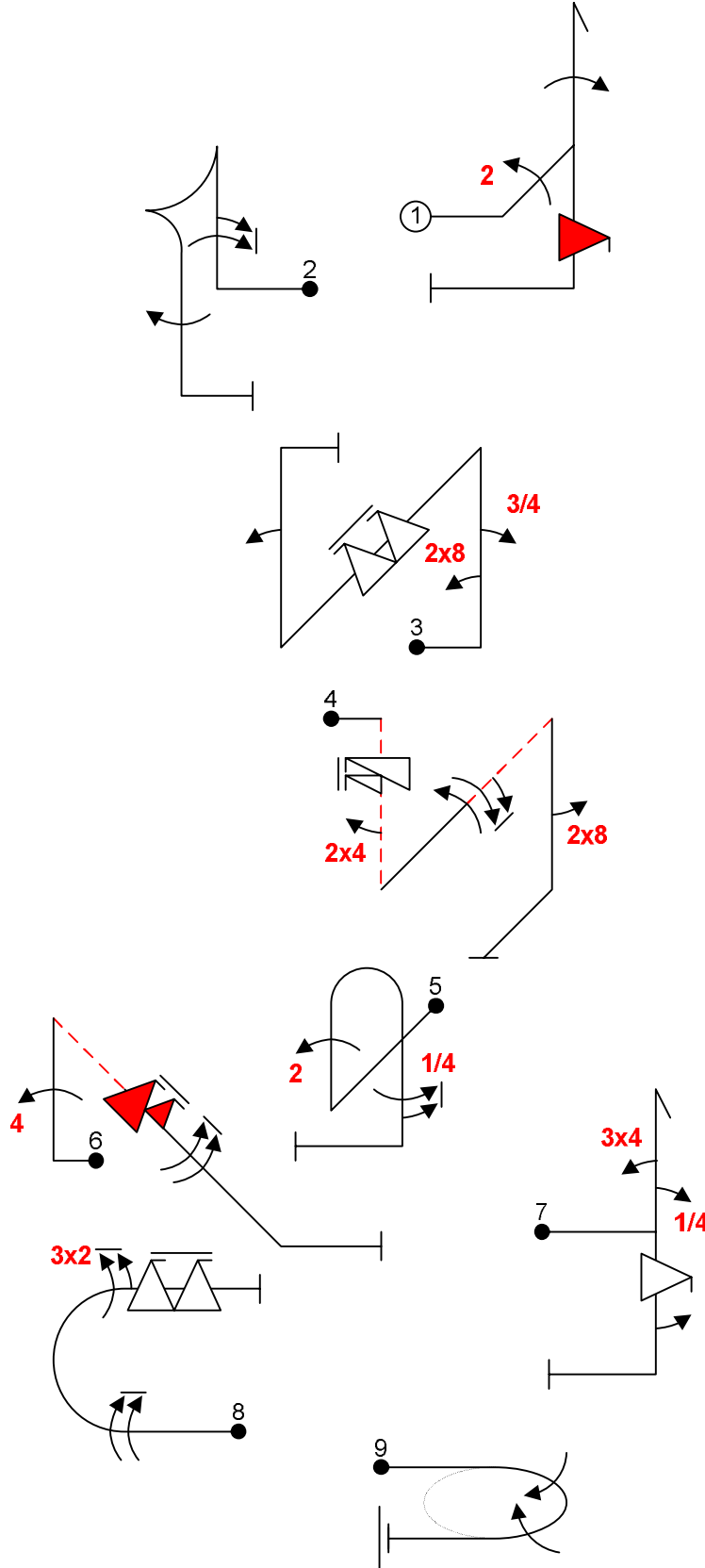
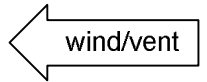


Fig 1	5.3.1.1 9.2.2.4 9.1.1.4 9.10.5.4	18 11 12 13	54
Fig 2	6.2.1.1 9.1.1.6 9.1.5.4	15 15 8	38
Fig 3	1.3.13.1 9.8.1.1 9.1.1.3 9.9.4.8 9.1.1.2	22 7 10 17 8	64
Fig 4	1.3.16.3 9.11.1.6 9.4.5.2 9.1.2.4 9.1.2.6 9.8.5.1	21 3 5 10 12 3	54
Fig 5	8.4.1.1 9.2.1.4 9.1.5.5	13 13 9	35
Fig 6	1.2.7.1 9.4.1.4 9.10.4.6 9.1.4.8	13 15 16 12	56
Fig 7	5.2.1.1 9.1.1.1 9.4.1.3 9.9.5.4 9.1.5.2	17 6 12 11 4	50
Fig 8	7.2.2.1 9.1.3.8 9.2.3.6 9.9.3.8	6 12 12 17	47
Fig 9	2.2.5.1	22	22

Total K = 420



WAC

2013

FORM C

Pilot ID #

Unlimited Free

Flight #

