



Pilot ID		Unlimited Programme Free						Flight #	

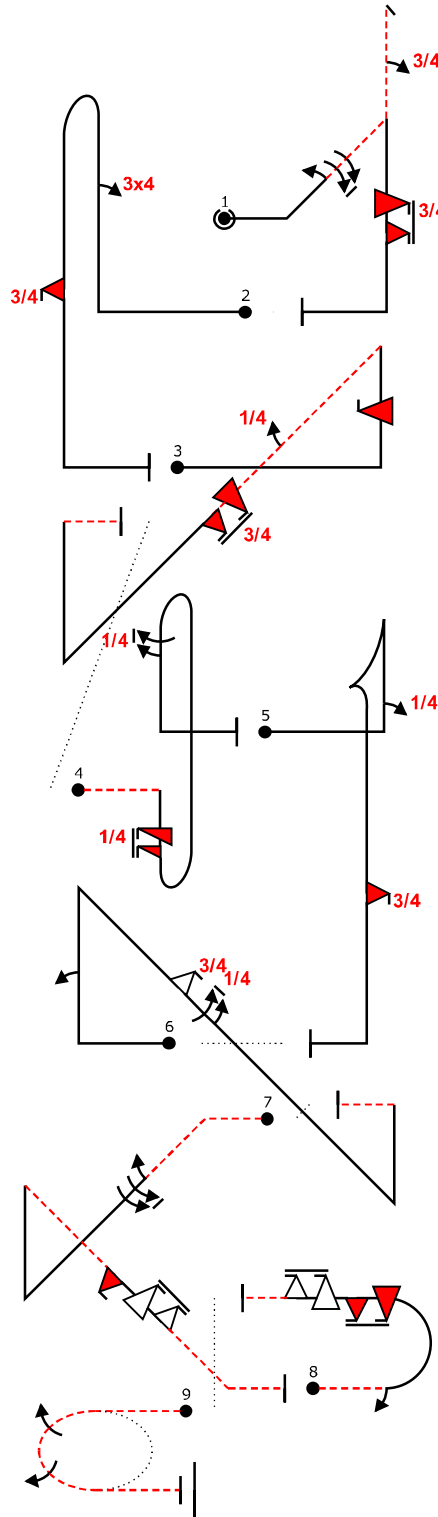
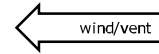
Form A

No	Symbol	Cat. No.	K	Total K	Marks	Remarks	Pos	Item	K	Grade
1		5.3.2.1 9.1.2.2 9.1.2.8 9.1.1.3 9.10.5.7	24 6 15 10 18	73				Pos.	40	
				SF 5						
2		8.4.1.1 9.4.1.3 9.10.10.3	13 12 15	40				Fig K		Total K
				SF 7				420		460
								Penalties		
								Too Low		
								Disqual Fig		
								Too High		
								Outs		
								Interruptions		
								Insertions		
								Missed Slot		
								Trg Violation		
								Faulty Wing Rocks		
								Final Freestyle		
								Duration	Min	Sec
								Judges Details		
								Signature		
								Name		
								Number		
3		1.3.11.1 9.10.6.4 9.1.4.1 9.10.4.7	20 19 2 18	59						
				SF 7						
4		8.8.1.4 9.12.1.5 9.1.5.5	18 6 9	33						
				SF 7						
5		6.2.1.1 9.1.1.1 9.10.5.3	15 6 13	34						
				SF 6						
6		1.3.14.1 9.1.1.2 9.9.4.3 9.1.4.5	22 8 11 9	50						
				Fig A						
				SF 7						
7		1.3.2.4 9.1.4.2 9.1.4.8 9.10.4.2 9.9.4.6	19 4 12 13 14	62						
				SF 7						
8		7.2.3.2 9.1.3.2 9.10.8.6 9.9.3.6	7 4 19 14	44						
				SF 7						
9		2.2.5.4	25	25						
				SF 2						

leboulanger alexandre
Pilot
N4767
A/C



		Form B
Pilot ID	Unlimited Programme Free	Flight #

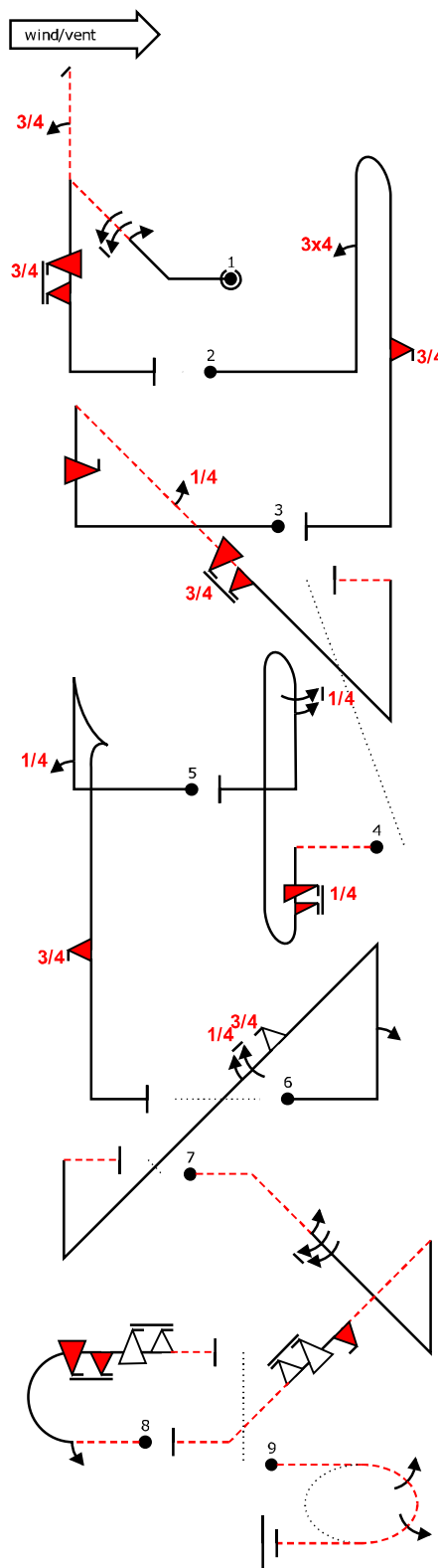


Power			
Fig 1	5.3.2.1	24	73
	9.1.2.2	6	
	9.1.2.8	15	
	9.1.1.3	10	
9.10.5.7		18	
Fig 2	8.4.1.1	13	40
	9.4.1.3	12	
	9.10.10.3	15	
Fig 3	1.3.11.1	20	59
	9.10.6.4	19	
	9.1.4.1	2	
	9.10.4.7	18	
Fig 4	8.8.1.4	18	33
	9.12.1.5	6	
	9.1.5.5	9	
Fig 5	6.2.1.1	15	34
	9.1.1.1	6	
	9.10.5.3	13	
Fig 6 A	1.3.14.1	22	50
	9.1.1.2	8	
	9.9.4.3	11	
	9.1.4.5	9	
Fig 7	1.3.2.4	19	62
	9.1.4.2	4	
	9.1.4.8	12	
	9.10.4.2	13	
	9.9.4.6	14	
Fig 8	7.2.3.2	7	44
	9.1.3.2	4	
	9.10.8.6	19	
	9.9.3.6	14	
Fig 9	2.2.5.4	25	25
Total K = 420			

leboulanger alexandre
 N4767 Pilot
 A/C



		Form C
Pilot ID	Unlimited Programme Free	Flight #



leboulanger alexandre
Pilot
N4767
A/C