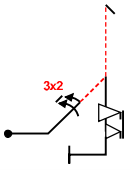
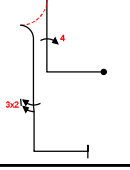
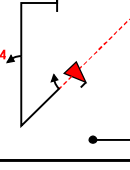
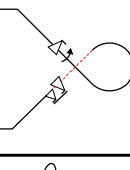
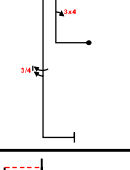
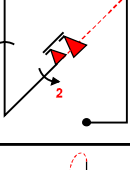
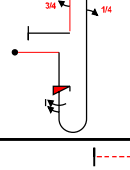
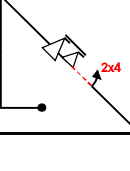
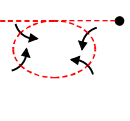




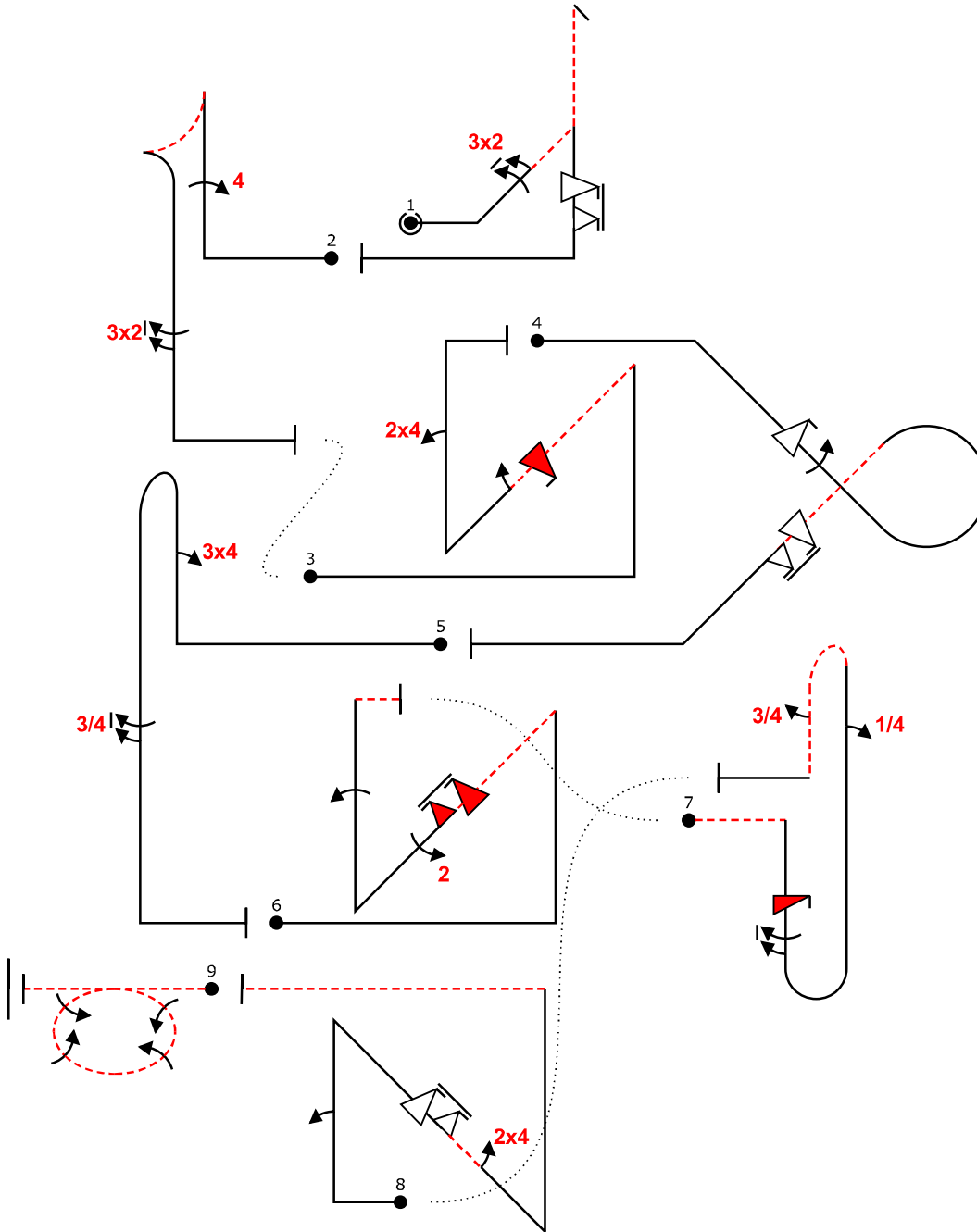
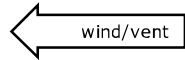
WAC 2013		Form A
Pilot ID	Unlimited Programme Programme2	Flight #

No	Symbol	Cat. No.	K	Total K	Marks	Remarks	Pos	Item	K	Grade
1		5.3.2.1 9.2.2.6 9.9.5.6	24 14 14	52				Pos.	40	
2		6.2.2.1 9.4.1.4 9.2.5.6	15 15 12	42				Fig K	Total K	
								420	460	
Penalties										
3		1.3.12.1 9.10.4.4 9.1.4.2 9.4.1.2	21 13 4 9	47				Too Low		
								Disqual Fig		
								Too High		
								Outs		
								Interruptions		
								Insertions		
								Missed Slot		
4		7.3.3.3 9.9.4.4 9.1.4.4 9.9.9.6	14 11 8 16	49				Trg Violation		
								Faulty Wing Rocks		
Final Freestyle										
5		8.4.1.1 9.4.1.3 9.1.5.7	13 12 11	36				Duration	Min	Sec
Judges Details										
6		1.3.11.1 9.10.4.6 9.2.4.4 9.1.1.4	20 16 9 12	57				Signature		
								Name		
								Number		
7		8.8.3.4 9.12.1.4 9.1.5.6 9.1.1.1 9.1.5.3	20 7 10 6 6	49						
8		1.3.14.1 9.1.1.2 9.9.4.6 9.4.4.2	22 8 14 5	49						
9		2.4.7.2	39	39						

Artur Kielak Pilot
XA-41, SP-EED A/C



WAC 2013		Form B
Pilot ID	Unlimited Programme Programme2	Flight #

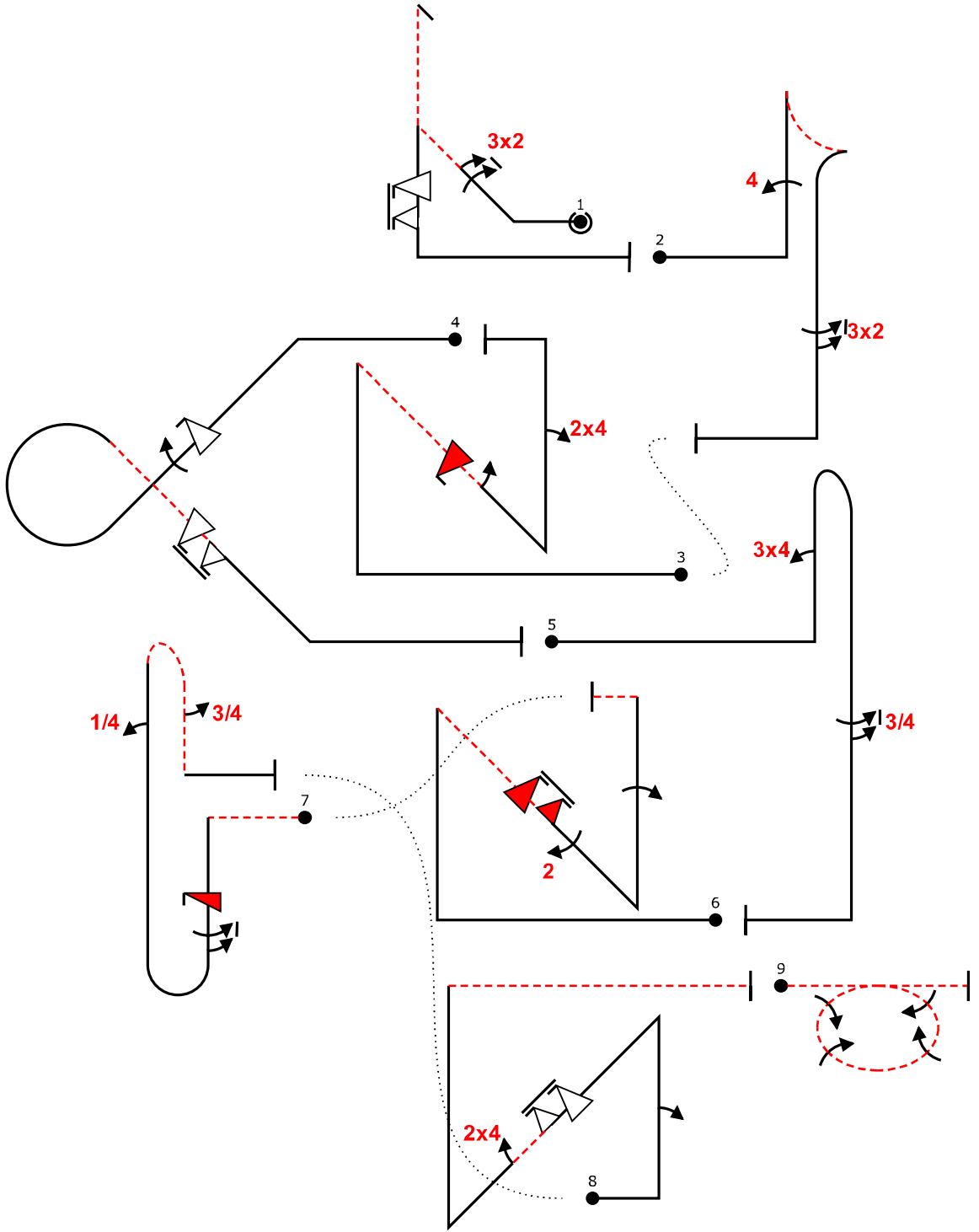
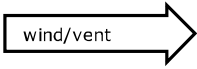


Power			
Fig 1	5.3.2.1 9.2.2.6 9.9.5.6	24 14 14	52
Fig 2	6.2.2.1 9.4.1.4 9.2.5.6	15 15 12	42
Fig 3	1.3.12.1 9.10.4.4 9.1.4.2 9.4.1.2	21 13 4 9	47
Fig 4	7.3.3.3 9.9.4.4 9.1.4.4 9.9.9.6	14 11 8 16	49
Fig 5	8.4.1.1 9.4.1.3 9.1.5.7	13 12 11	36
Fig 6	1.3.11.1 9.10.4.6 9.2.4.4 9.1.1.4	20 16 9 12	57
Fig 7	8.8.3.4 9.12.1.4 9.1.5.6 9.1.1.1 9.1.5.3	20 7 10 6 6	49
Fig 8	1.3.14.1 9.1.1.2 9.9.4.6 9.4.4.2	22 8 14 5	49
Fig 9	2.4.7.2	39	39
Total K = 420			

Artur Kielak Pilot
 XA-41, SP-EED A/C



WAC 2013		Form C
Pilot ID	Unlimited Programme Programme2	Flight #



Artur Kielak Pilot
XA-41, SP-EED A/C