



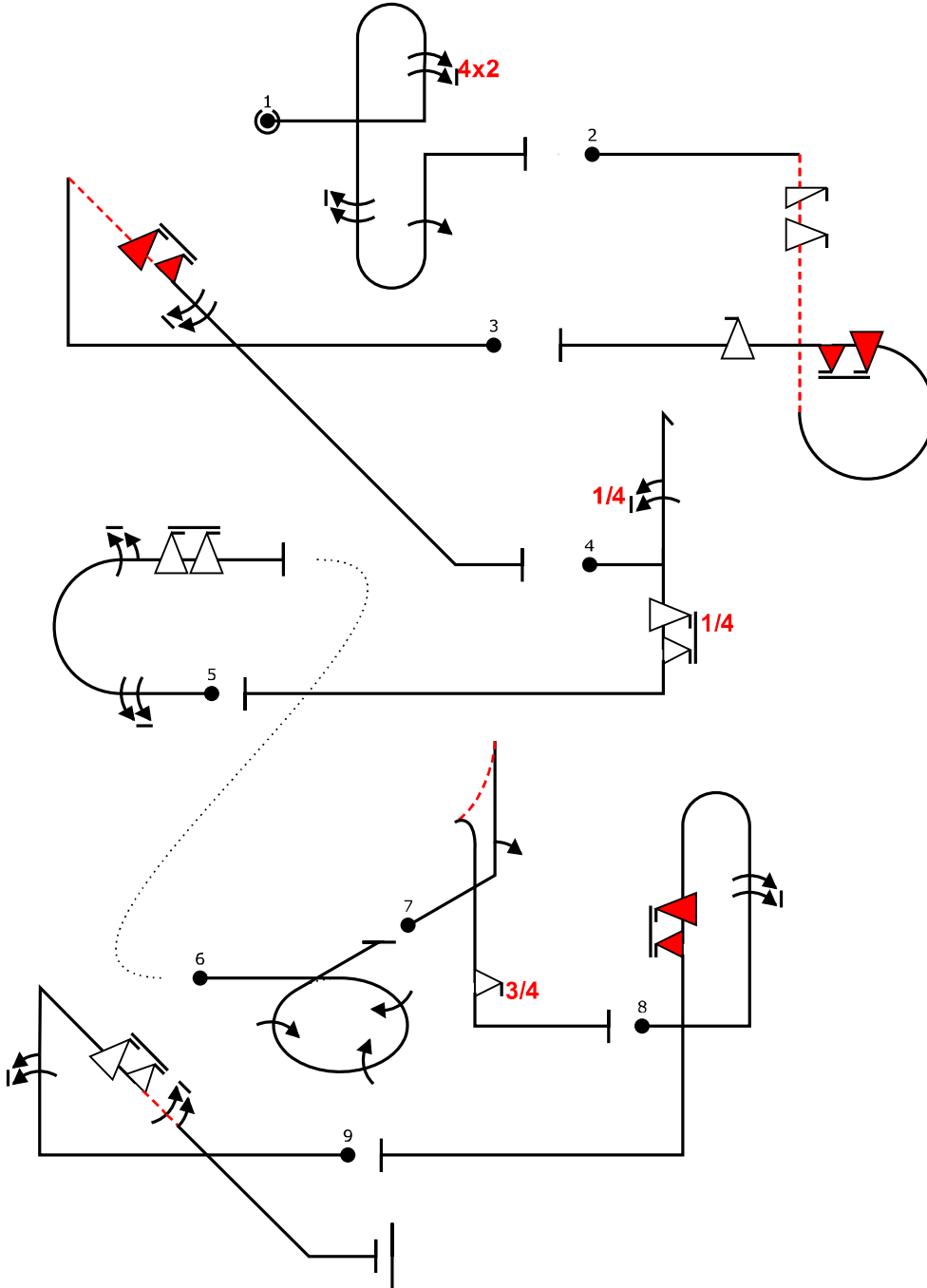
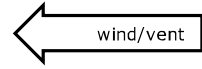
WAC Oct. 2013		Form A
Pilot ID	Unlimited Programme Free	Flight #

No	Symbol	Cat. No.	K	Total K	Marks	Remarks	Pos	Item	K	Grade
1		8.8.2.1 9.2.1.8 9.1.5.8 9.1.1.4	19 21 12 12	64				Pos.	40	
2		8.6.4.3 9.11.1.4 9.9.5.4 9.10.8.6 9.9.3.4	13 5 11 19 11	59				Fig K	420	Total K
Penalties										
3		1.2.7.1 9.10.4.6 9.1.4.8	13 16 12	41						Too Low
										Disqual Fig
4		5.2.1.1 9.1.1.5 9.9.5.5	17 14 13	44						Too High
										Outs
5		7.2.2.1 9.1.3.8 9.1.3.6 9.9.3.8	6 12 10 17	45						Interruptions
										Insertions
6		2.3.4.1	30	30						Missed Slot
										Trg Violation
7		6.2.2.1 9.1.1.2 9.9.5.3	15 8 11	34						Faulty Wing Rocks
Final Freestyle										
8		8.4.1.1 9.1.1.8 9.10.10.6	13 18 19	50						Duration
										Min
9		1.2.6.1 9.1.1.6 9.9.4.6 9.1.4.6	14 15 14 10	53						
Judges Details										
Signature										
Name										
Number										

Benjamin Freilove
Edge 540RXP N540BF
Pilot
A/C



WAC Oct. 2013		Form B
Pilot ID	Unlimited Programme Free	Flight #



Power			
Fig 1	8.8.2.1	19	64
	9.2.1.8	21	
	9.1.5.8	12	
	9.1.1.4	12	
Fig 2	8.6.4.3	13	59
	9.11.1.4	5	
	9.9.5.4	11	
	9.10.8.6	19	
	9.9.3.4	11	
Fig 3	1.2.7.1	13	41
	9.10.4.6	16	
	9.1.4.8	12	
Fig 4	5.2.1.1	17	44
	9.1.1.5	14	
	9.9.5.5	13	
Fig 5	7.2.2.1	6	45
	9.1.3.8	12	
	9.1.3.6	10	
	9.9.3.8	17	
Fig 6	2.3.4.1	30	30
Fig 7	6.2.2.1	15	34
	9.1.1.2	8	
	9.9.5.3	11	
Fig 8	8.4.1.1	13	50
	9.1.1.8	18	
	9.10.10.6	19	
Fig 9	1.2.6.1	14	53
	9.1.1.6	15	
	9.9.4.6	14	
	9.1.4.6	10	
Total K = 420			

Benjamin Freelye
 Edge 540RXP N540BF
 Pilot
 A/C

