

WAC

2013

Form A

Pilot ID	Unlimited Free								Flight #
----------	----------------	--	--	--	--	--	--	--	----------

No	Symbol	Cat. No.	K	Total K	Example marks: [7][5][0][0] Zeros and Averages: [H][Z][P][Z][A][V]	Remarks	Pos	Item	K	Grade
1		5.3.1.1 9.2.2.4 9.1.1.4 9.1.5.8	18 11 12 12	53 SF 05				Positioning	40	
2		6.2.2.1 9.1.1.6 9.2.5.4	15 15 9	39 SF 06				Fig K	Total K	
								420	460	
								<b>Penalties</b>		
								Too Low		
								Disqual Fig		
								Too High		
								Outs		
								Interruptions		
								Insertions		
								Missed Slot		
								Trg Violation		
								Faulty Wing Rocks		
								<b>Final Freestyle</b>		
								Duration	Min	Sec
								<b>Judges Details</b>		
								Signature		
								Name		
								Number		
3		1.3.12.1 9.10.4.6 9.4.1.2 9.1.4.8	21 16 9 12	58 SF 07						
4		8.6.4.3 9.11.1.6 9.2.3.6 9.9.3.8	13 3 12 17	45 SF 07						
5		2.2.5.1	22	22 SF 02						
6		1.3.14.1 9.1.1.2 9.2.4.8 9.2.1.4	22 8 15 13	58 SF 07						
7		1.3.6.4 9.1.4.6 9.1.1.1 9.1.1.3 9.1.4.4	19 10 6 10 8	53 SF 07						
8		5.2.1.1 9.9.5.8 9.10.6.4	17 17 19	53 SF 05						
9		7.2.2.1 9.1.3.8 9.4.3.4 9.1.3.6	6 12 11 10	39 SF 07						



Francis Barros  
Su-31  
pilot  
A/C

Pilot ID #

Unlimited Free

Flight #

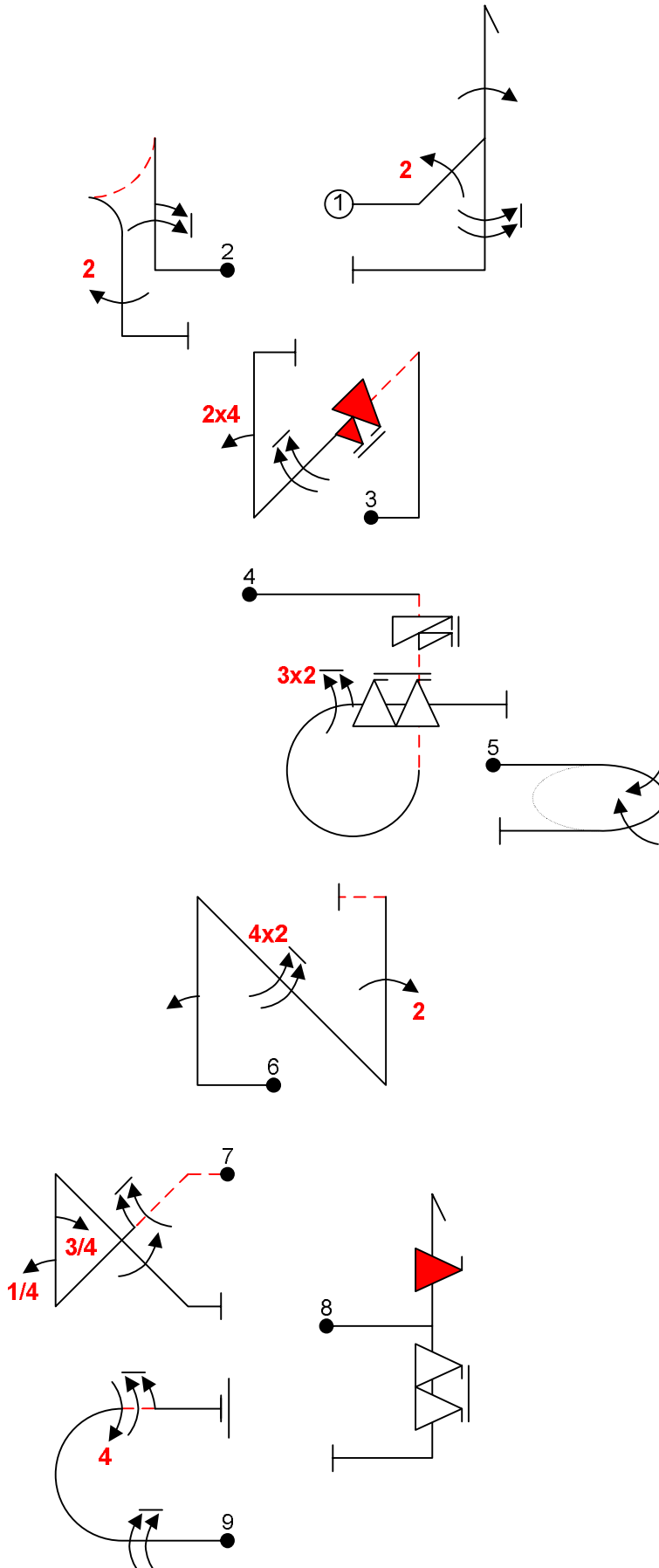
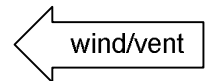


Fig 1	5.3.1.1 9.2.2.4 9.1.1.4 9.1.5.8	18 11 12 12	53
Fig 2	6.2.2.1 9.1.1.6 9.2.5.4	15 15 9	39
Fig 3	1.3.12.1 9.10.4.6 9.4.1.2 9.1.4.8	21 16 9 12	58
Fig 4	8.6.4.3 9.11.1.6 9.2.3.6 9.9.3.8	13 3 12 17	45
Fig 5	2.2.5.1	22	22
Fig 6	1.3.14.1 9.1.1.2 9.2.4.8 9.2.1.4	22 8 15 13	58
Fig 7	1.3.6.4 9.1.4.6 9.1.1.1 9.1.1.3 9.1.4.4	19 10 6 10 8	53
Fig 8	5.2.1.1 9.9.5.8 9.10.6.4	17 17 19	53
Fig 9	7.2.2.1 9.1.3.8 9.4.3.4 9.1.3.6	6 12 11 10	39
<b>Total K = 420</b>			



WAC

2013

FORM C

Pilot ID #

Unlimited Free

Flight #

