




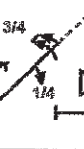





INTERNATIONAL AEROBATIC CLUB SCORESHEET

A	Contest:		Date:	Category:	Programme:	pilot's number	
				Unlimited	Free		

No	Symbol	Catalog No	K	Tot K	Score	Remarks
1		5.1.1 9.1.1.4 9.10.1.4 9.9.5.7	17 12 17 16	62		
					sf=5	
2		6.2.1 9.1.1.8 9.9.5.3 9.1.5.4	15 18 11 8	52		
					sf=6	
3		8.65.1 9.4.1.2 9.9.4.4 9.1.4.4	12 9 11 8	40		
					sf=7	
4		1.39.1 9.2.1.4 9.10.A.2 9.2.4.4 9.8.1.1 F.P	21 13 13 9 7 -1	62		
					sf=7	
5		2.8.1	30	30		
					sf=2	
6		1.43.3 9.11.1.4 9.1.2.1 9.1.2.7 9.9.5.4	21 5 4 14 11	55		
					sf=7	
7		8.3.1 9.2.1.6 9.1.5.2 9.4.5.2	15 17 4 5	41		
					sf=7	
8		1.14.1 9.2.2.6 9.2.5.4	12 14 9	35		
					sf=7	
9		7.2.1 9.1.3.2 9.1.3.6 9.2.3.6 9.9.3.4	6 4 10 12 11	43		
					sf=7	

Item	K	Score
Presentation	26	

FIGURE TOTAL K = 420

INCLUDING PRESENTATION = 446

Aircraft Type:
Extra 300L

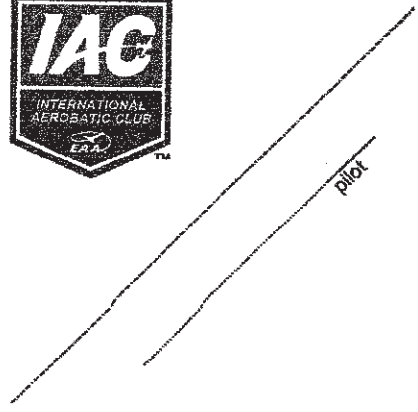
FREE PROGRAM CHECKED BY:

Sign:	IAC No.:
-------	----------

Judge
Name
Number



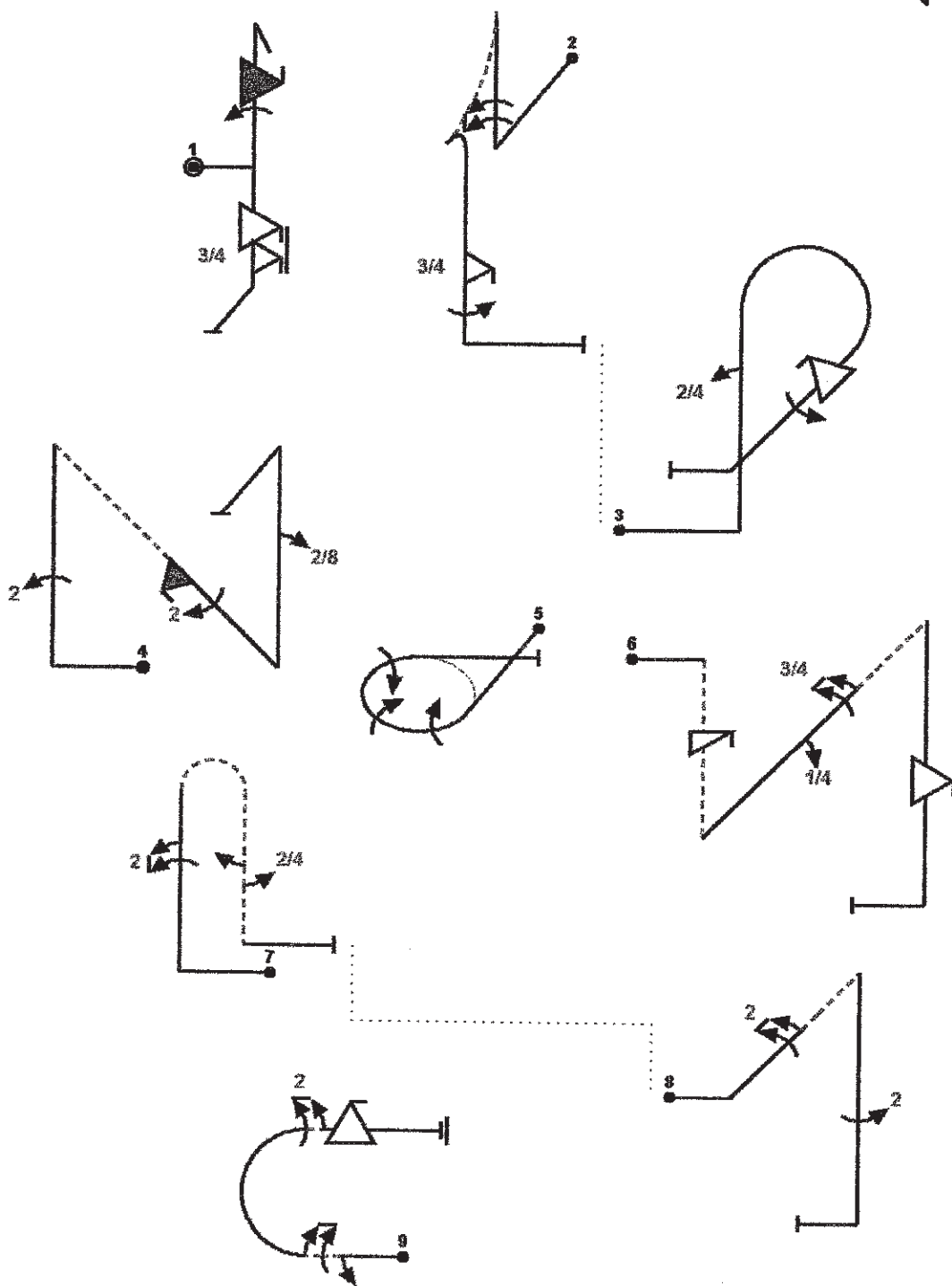
Olanbeta v0.8 © M. Gollan http://www.aerobatics.org/ffolan





B	Contest:	Category: Unlimited
	Date:	Program: Free

wind direction



Olambeta v0.8 © M. Galen <http://www.aerobatics.org.il/olambeta>

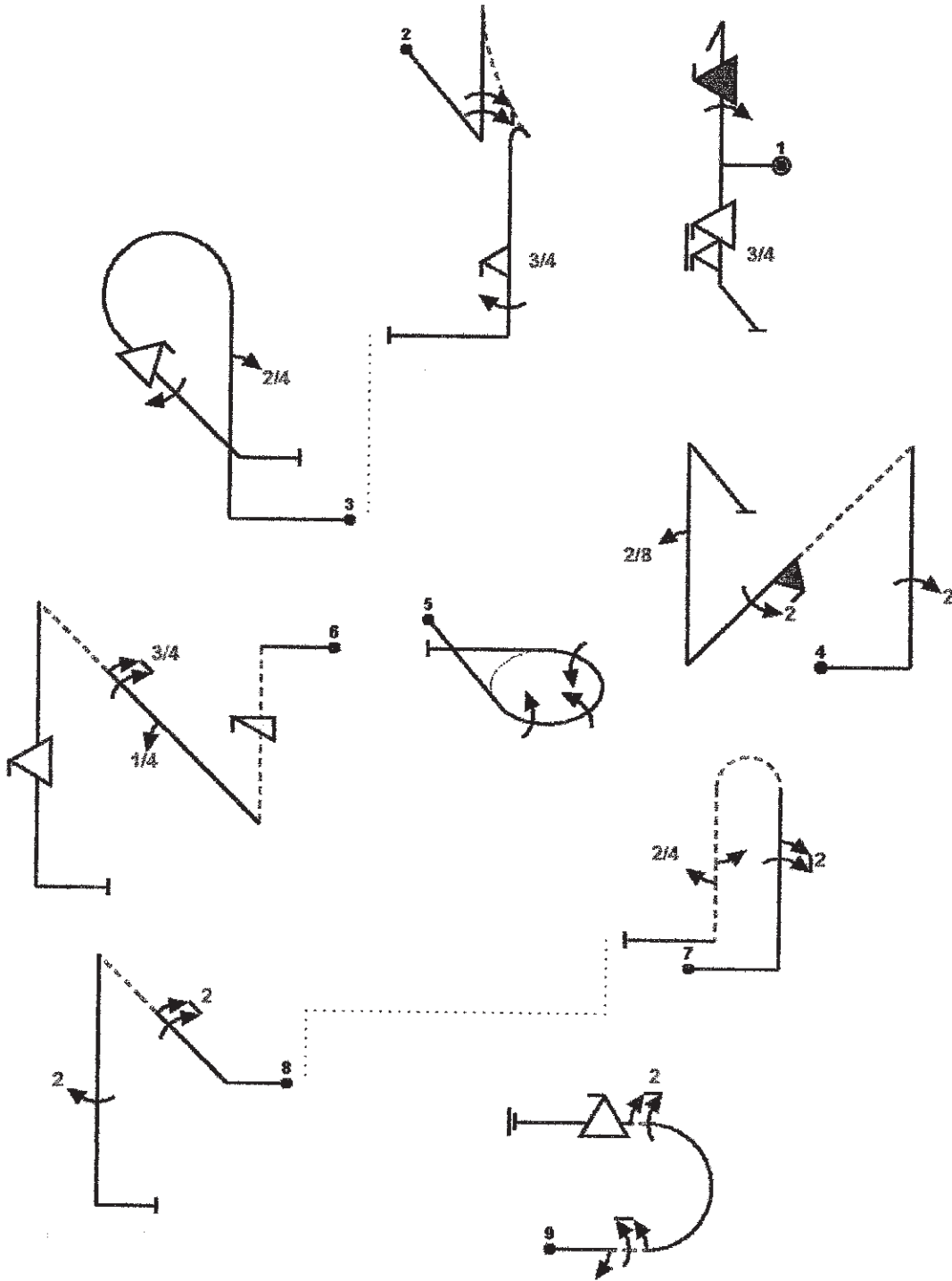
FREE PROGRAM CHECK BY: (signature/date)
A/C: Extra 300L



C	Contest:	Category: Unlimited
Date:	Program: Free	Pilot's No.:

wind direction

Pilo.



A/C: Extra 300L

FREE PROGRAM CHECK BY: (signature/date)