

GLIDER

INTERNATIONAL AEROBATIC CLUB SCORESHEET

A

Contest:

Nationals

Date:

2021

Category:

Unlimited

Programme:

Unknown

 pilot's
number

No	Symbol	Cat. No.	K	Total K	Grade	Remarks	Item	K	Score
1		1.1.2.3 9.9.4.4	7 16	23			Presentation 25 FIGURE TOTAL K = 173 INC. PRESENTATION = 198 Aircraft type: FREE PROGRAM CHECKED BY: Signature: _____ Printed Name: _____ IAC No: _____ Date: _____ Judge Name: _____ IAC # _____ Assistant Name: _____ IAC # _____		
2		8.6.17.1 9.1.3.2	14 6	20					
3		1.2.2.2 9.1.5.1	13 3	16					
4		5.2.1.1 9.10.5.3	17 17	34					
5		8.4.15.1 9.4.2.2	12 11	23					
6		1.1.3.1 9.9.2.2	7 15	22					
7		7.2.1.4 9.1.3.4 9.4.3.4	6 12 17	35					



Pilot

A/C

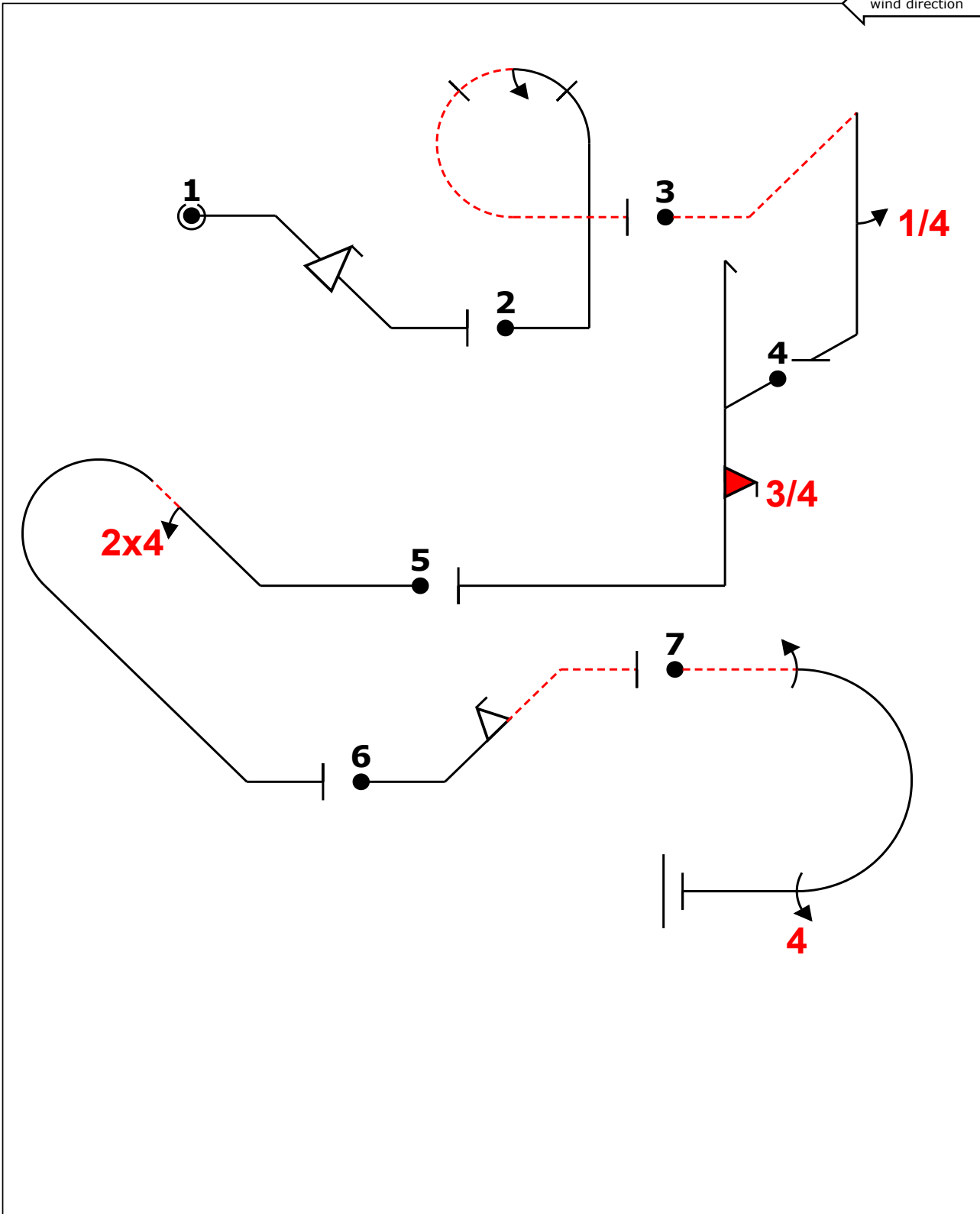
GLIDER



B	Contest:	Nationals	Category:	Unlimited
	Date:	2021	Program:	Unknown
			Pilot's No.	

Pilot:

wind direction



A/C:

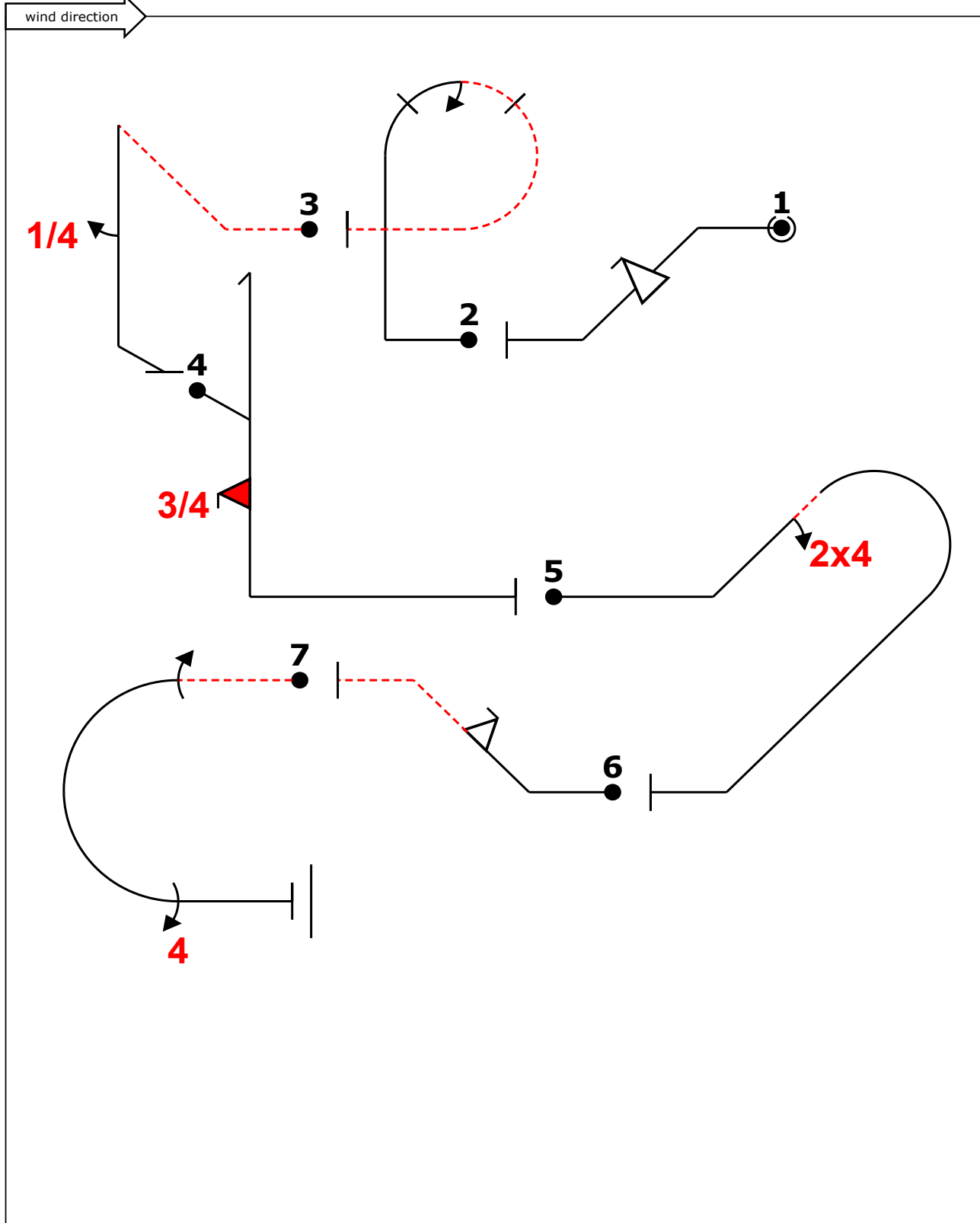
FREE PROGRAM CHECK BY: (signature/date)

GLIDER



C	Contest:	Nationals	Category:	Unlimited
	Date:	2021	Program:	Unknown
			Pilot's No.	

Pilot:



A/C:

FREE PROGRAM CHECK BY: (signature/date)