

A	INTERNATIONAL AEROBATIC CLUB GLIDER SCORESHEET				Contest:			Date:		Category		Programme		pilot's number	
										Glider Unlimited		Unknown			
No	Symbol	Catalog No	K	Tot. K	Score	Remarks	No	Symbol	Catalog No	K	Tot. K	Score	Remarks		
1		7.21.3 9.9.4.2	14 12	26			13								
2		7.3.1 9.1.3.2	8 6	14			14								
3		2.3.1	20	20			15								
4		1.6.3 9.9.5.3	10 14	24			16								
5		1.1.3 9.9.3.2	2 12	14			17								
6		6.2.2 9.1.5.2	18 6	24			18								
7		1.1.4 9.4.3.2	2 8	10			FIGURE TOTAL K =				179				
							POSITIONING				20				
8		2.19.3	30	30			TOTAL K INCLUDING POSITIONING				199				
9		8.32.4 9.1.4.2	11 6	17			JUDGE'S NAME _____								
10							JUDGE'S NUMBER _____								
11							FREE PROGRAM CHECKED BY: _____								
12							AIRCRAFT TYPE _____								



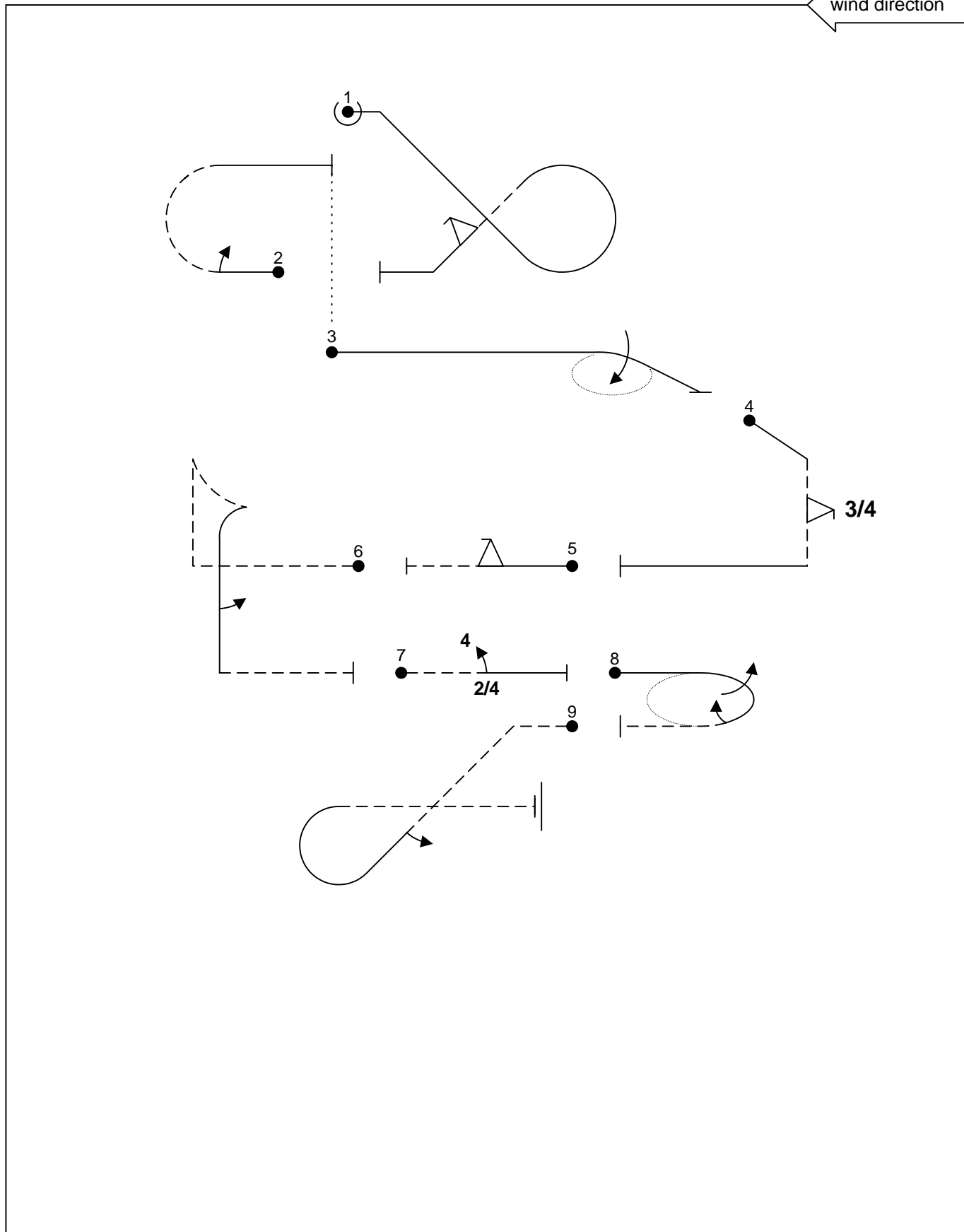
pilot's name
(print)



B	Contest:		Category:	Unlimited Glider	
Date:		Prog:	Unknown	pilot's number	

Pilot:

wind direction



A/C:

(signature/date)

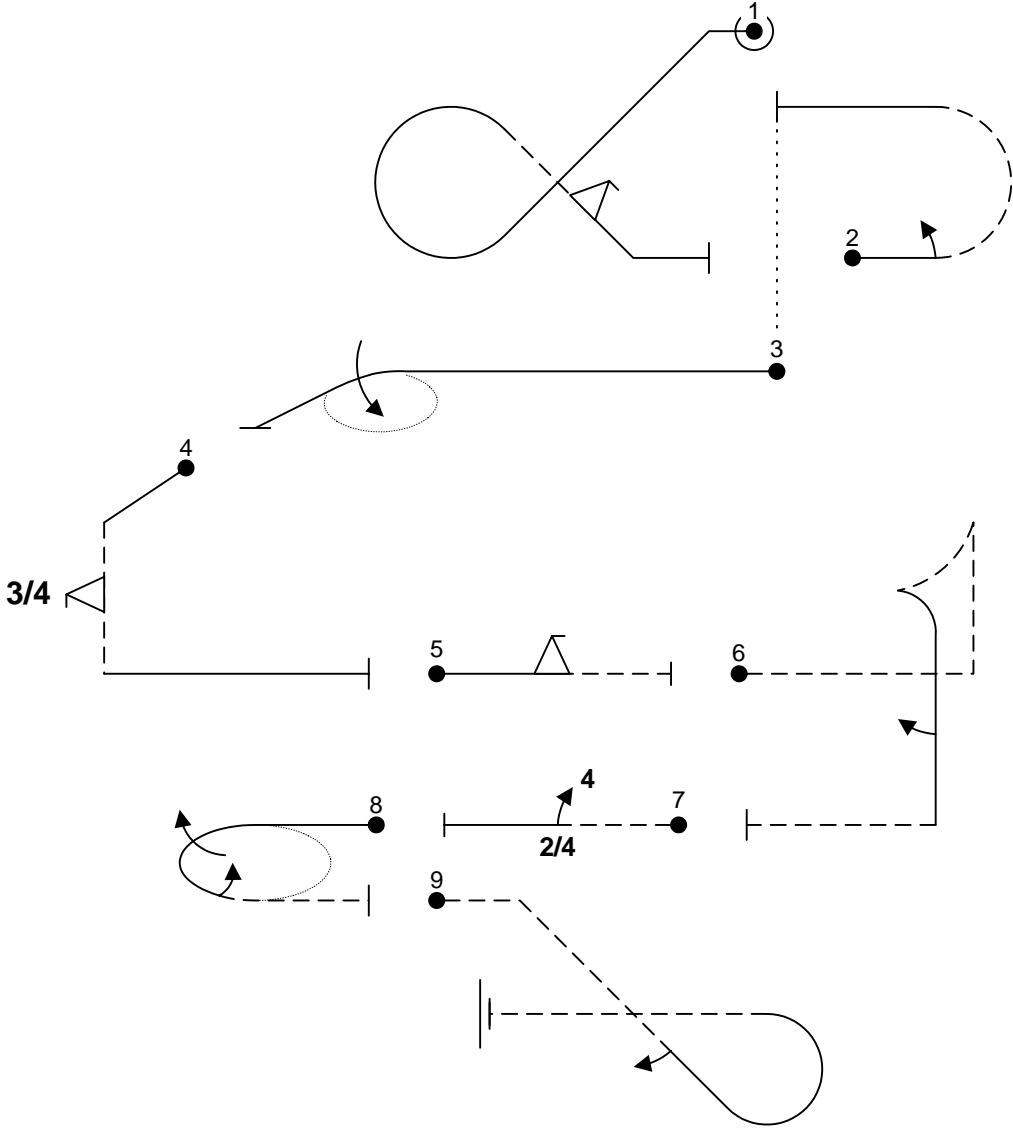
FREE PROGRAM CHECK BY:



C	Contest:		Category:	Unlimited Glider	
Date:		Prog:	Unknown	pilot's number	

Pilot:

wind direction



A/C:

(signature/date)

FREE PROGRAM CHECK BY: