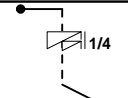
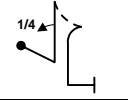
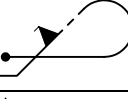
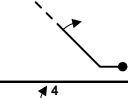
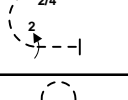
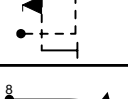
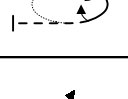
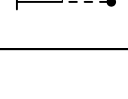


A	INTERNATIONAL AEROBATIC CLUB GLIDER SCORESHEET				Contest:			Date:		Category		Programme		pilot's number	
										<b>Glider Unlimited</b>		<b>Unknown</b>			
No	Symbol	Catalog No	K	Tot. K	Score	Remarks	No	Symbol	Catalog No	K	Tot. K	Score	Remarks		
1		<b>1.6.3</b> <b>9.11.1.5</b>	<b>10</b> <b>6</b>	<b>16</b>			13								
2		<b>6.2.1</b> <b>9.1.1.1</b>	<b>15</b> <b>9</b>	<b>24</b>			14								
3		<b>8.42.1</b> <b>9.10.4.2</b>	<b>10</b> <b>15</b>	<b>25</b>			15								
4		<b>1.3.1</b> <b>9.1.2.2</b>	<b>7</b> <b>9</b>	<b>16</b>			16								
5		<b>7.3.4</b> <b>9.4.3.2</b> <b>9.2.3.4</b>	<b>9</b> <b>8</b> <b>14</b>	<b>31</b>			17								
6		<b>8.2.2</b> <b>9.10.5.2</b>	<b>17</b> <b>15</b>	<b>32</b>			18								
7		<b>2.19.3</b>	<b>30</b>	<b>30</b>			FIGURE TOTAL K =				<b>184</b>				
							POSITIONING				<b>20</b>				
8		<b>1.1.4</b> <b>9.13.3.2</b>	<b>2</b> <b>8</b>	<b>10</b>			TOTAL K INCLUDING POSITIONING				<b>204</b>				
9							JUDGE'S NAME _____								
10							JUDGE'S NUMBER _____								
11							FREE PROGRAM CHECKED BY: _____								
12							AIRCRAFT TYPE _____								



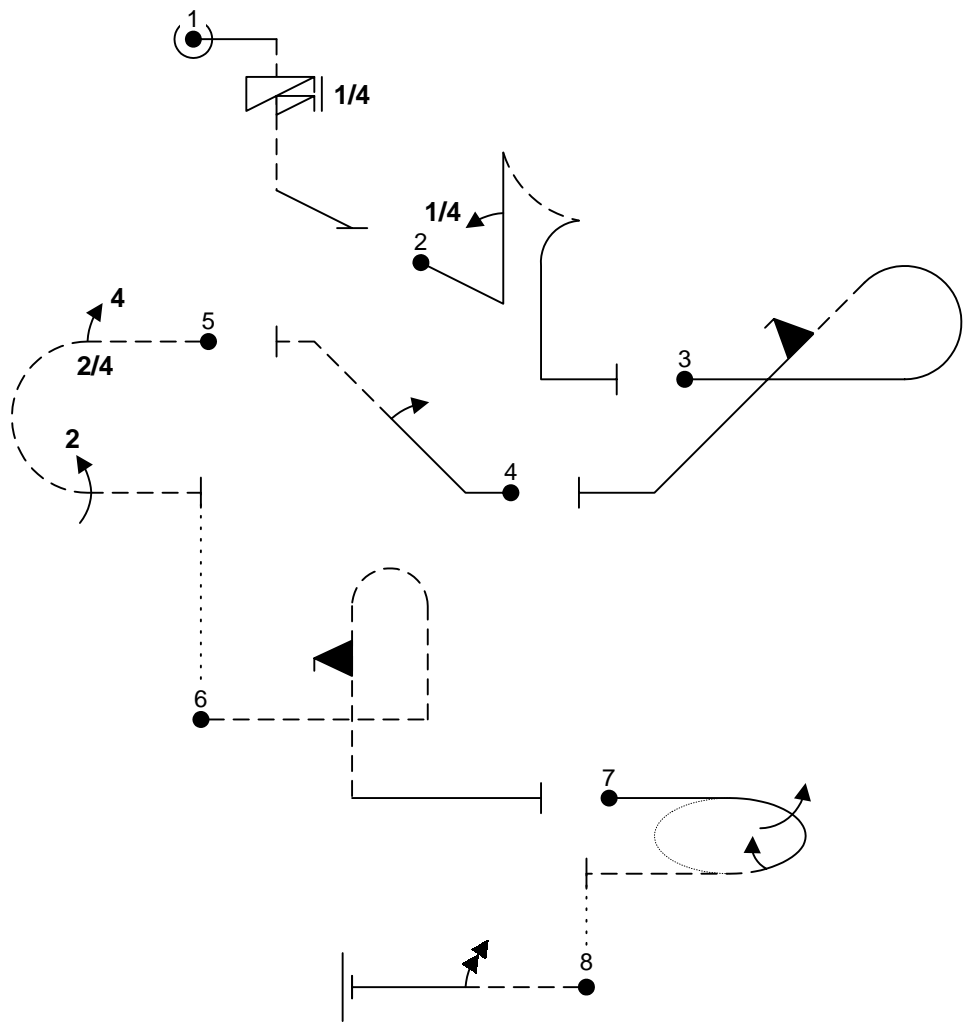
pilot's name  
(print)



<b>B</b>	Contest:		Category:	Glider Unlimited
Date:		Prog:	Unknown	pilot's number

Pilot:

wind direction



A/C:

(signature/date)

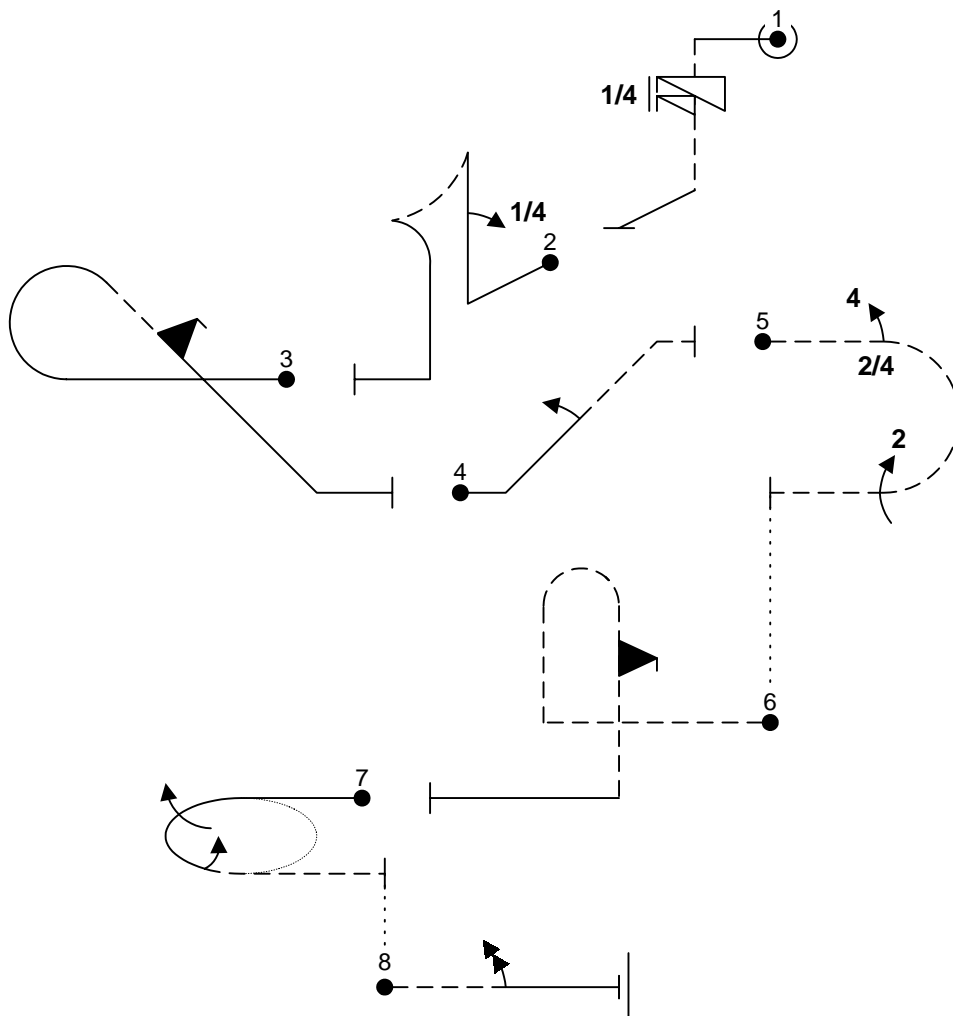
FREE PROGRAM CHECK BY:



<b>C</b>	Contest:		Category:	Glider Unlimited	
Date:		Prog:	Unknown	pilot's number	

Pilot:

wind direction



A/C:

(signature/date)

FREE PROGRAM CHECK BY: