

INTERNATIONAL AEROBATIC CLUB SCORESHEET - GLIDERS

<b>A</b>	Contest:	Date:	Category:	Programme:	pilot's number	
		2006	Glider Unlimited	Known		

No	Symbol	Catalogue No.	K	Total K	Score	Remarks	Item	K	Score			
1		1.3.3 9.9.4.2	8 12	20			<b>Presentation</b>	20				
2		6.1.4	17	17				FIGURE TOTAL K =	191			
3		7.22.1 9.1.2.2 9.1.2.2	16 9 9	34				INCLUDING PRESENTATION =	211			
4		1.7.4 9.12.1.5	9 8	17				Aircraft Type:				
5		5.1.1 9.1.1.1	17 9	26				FREE PROGRAM CHECKED BY:	Signature:	Date:		
6		8.45.1	11	11							IAC No.	
7		8.1.1 9.10.10.2	13 15	28								
8		1.1.3 9.4.3.2	2 8	10								Judge
9		2.19.2	28	28								Name
10												Number
11												
12												



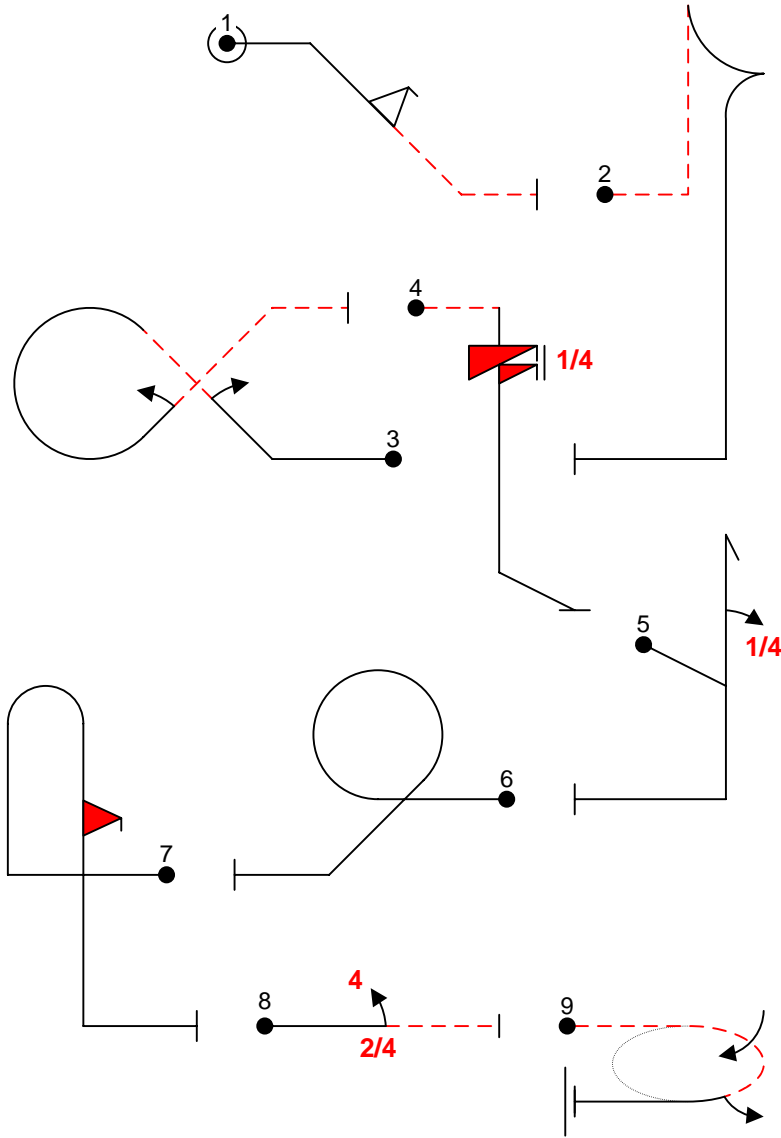
pilot



<b>B</b>	Contest:	Category: <b>Glider Unlimited</b>	
Date: <b>2006</b>	Program: <b>Known</b>	Pilot's No.	

wind direction

Pilot:



A/C:

(signature/date)

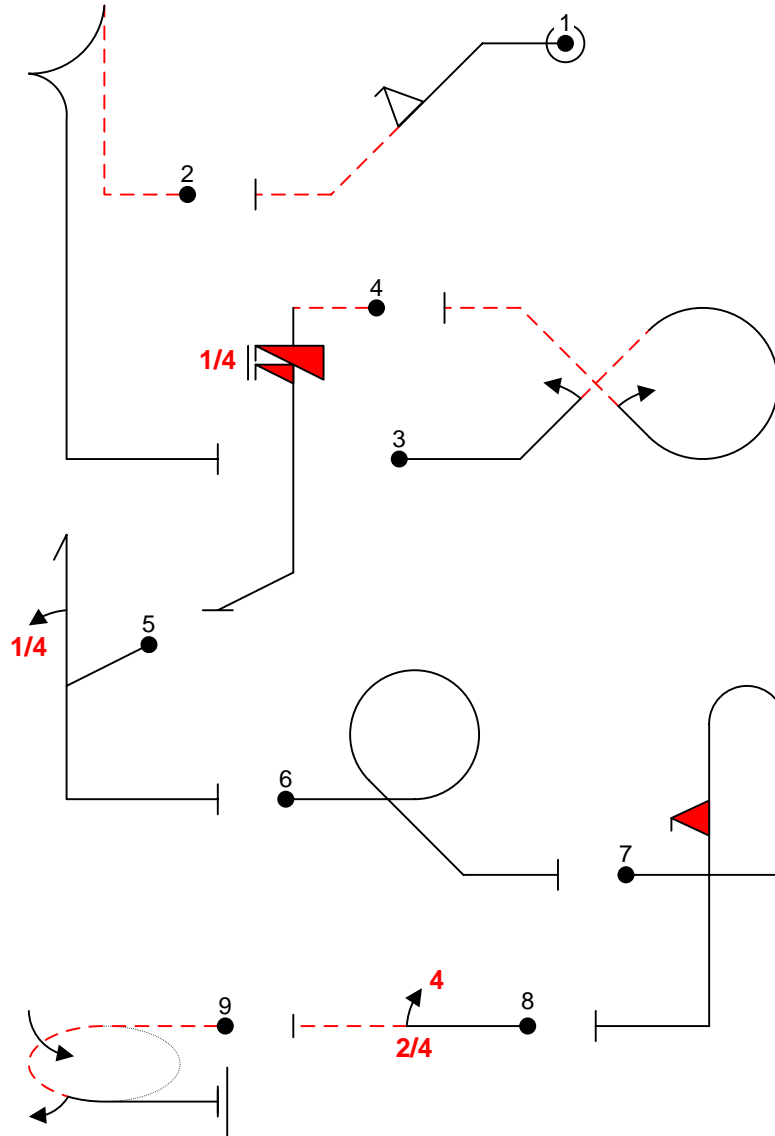
GLIDER FREE PROGRAM CHECK BY:



<b>C</b>	Contest:	Category: <b>Glider Unlimited</b>	
Date: <b>2006</b>	Program: <b>Known</b>	Pilot's No.	

wind direction

Pilot:



A/C:

(signature/date)

GLIDER FREE PROGRAM CHECK BY: