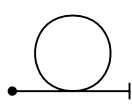
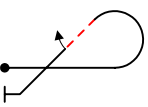
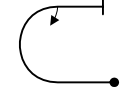
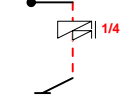
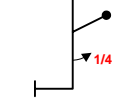
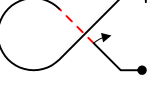
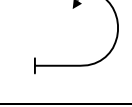
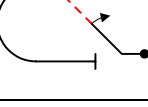
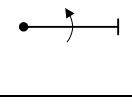
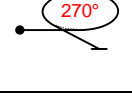


INTERNATIONAL AEROBATIC CLUB SCORESHEET

A	Contest:	Date:	Category:	Programme:	pilot's number	
		2003	Sportsman	Known		

No	Symbol	Catalogue No.	K	Total K	Score	Remarks
1		7.5.1	10	10		
2		8.42.1 9.1.4.2	10 4	14		
3		7.2.1 9.1.3.2	6 4	10		
4		1.6.3 9.11.1.5	10 4	14		
5		5.1.1 9.1.5.1	17 2	19		
6		7.20.1 9.1.2.2	14 6	20		
7		7.3.3 9.1.3.2	6 4	10		
8		8.32.1 9.1.2.2	10 6	16		
9		1.1.1 9.1.3.4	2 8	10		
10		2.1.3	5	5		
11						
12						

Presentation	6					
---------------------	----------	--	--	--	--	--

FIGURE TOTAL K =	128
INCLUDING PRESENTATION =	134

Aircraft Type:

FREE PROGRAM CHECKED BY:

Signature:	Date:
IAC No.	

Judge	
Name	
Number	



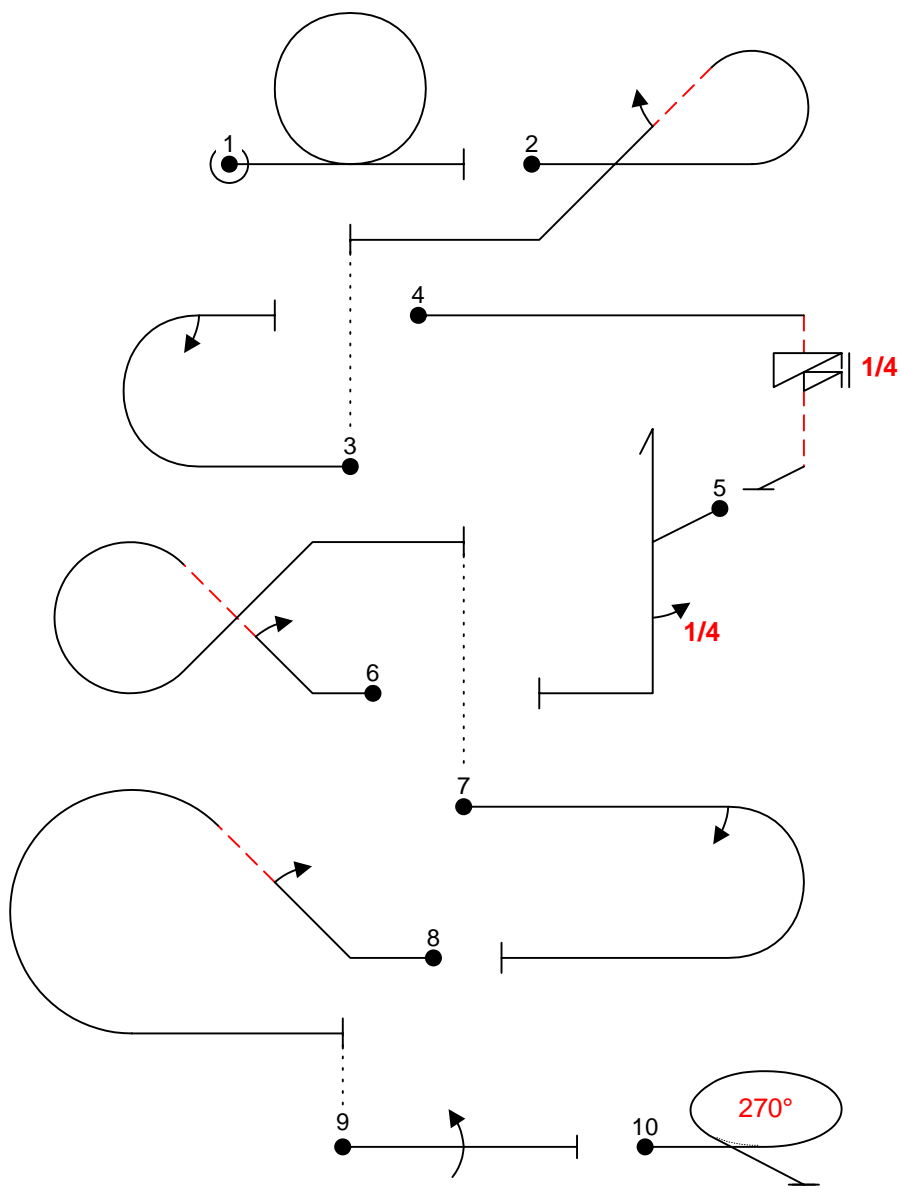
pilot



B	Contest:	Category: Sportsman
Date: 2003	Program: Known	Pilot's No. <input type="text"/>

wind direction

Pilot:



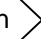
A/C:

(signature/date)

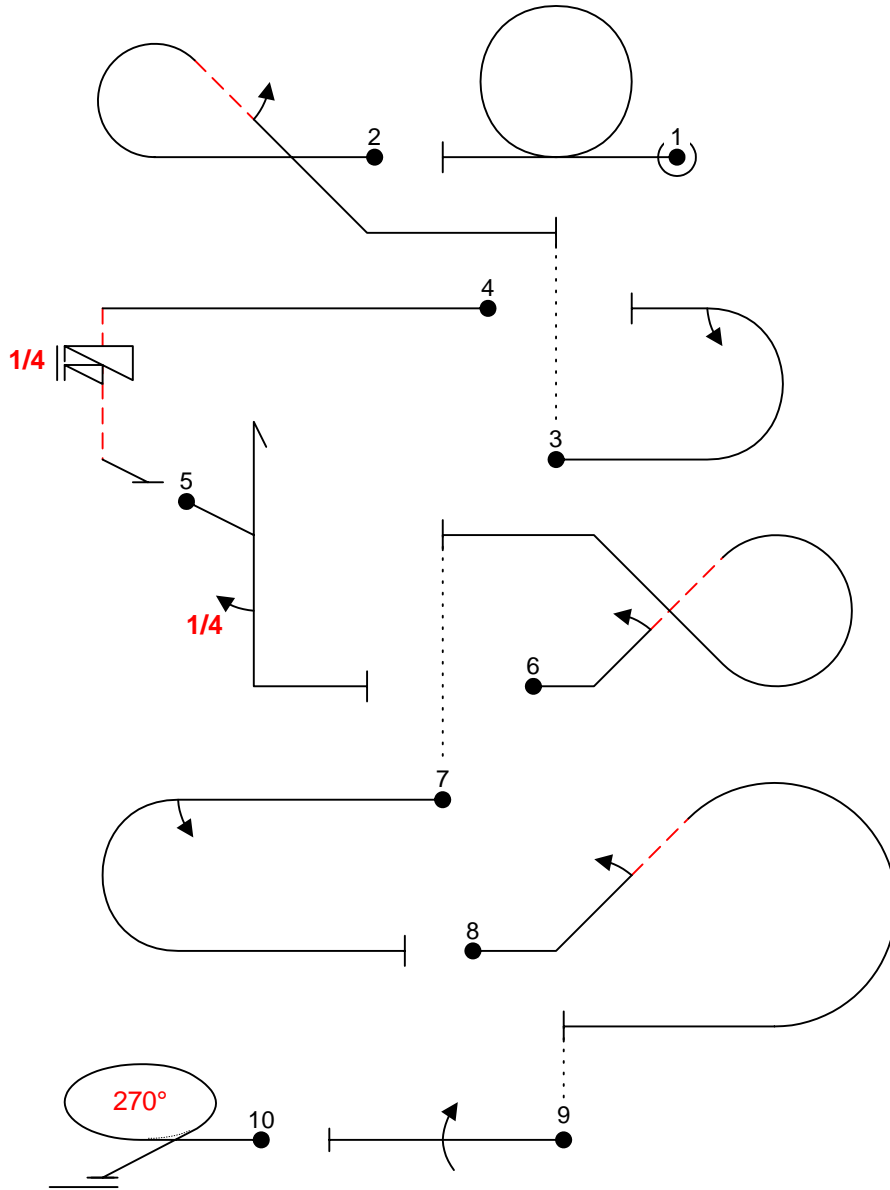
FREE PROGRAM CHECK BY:



C	Contest:	Category: Sportsman	
Date: 2003	Program: Known	Pilot's No.	<input type="text"/>

wind direction 

Pilot: _____



A/C: _____

FREE PROGRAM CHECK BY: (signature/date) _____