

INTERNATIONAL AEROBATIC CLUB SCORESHEET - GLIDERS

<b>A</b>	Contest:	Date:	Category:	Programme:	pilot's number	
		2003	Glider Sportsman	Known II		

No	Symbol	Catalogue No.	K	Total K	Score	Remarks	Item	K	Score
1		1.1.3 9.1.3.2	2 6	8			<b>Presentation</b>	<b>15</b>	
2		8.41.4	10	10					
3		1.6.3 9.11.1.4	10 5	15					
4		7.2.1 9.1.3.2	6 6	12					
5		1.2.3	7	7					
6		0.2	13	13					
7		2.1.3	5	5					
8		1.1.1 9.1.3.4	2 12	14					
9									
10									
11									
12									

FIGURE TOTAL K = **84**

INCLUDING PRESENTATION = **99**

Aircraft Type:

FREE PROGRAM CHECKED BY:

Signature:	Date:
	IAC No.

Judge
Name
Number



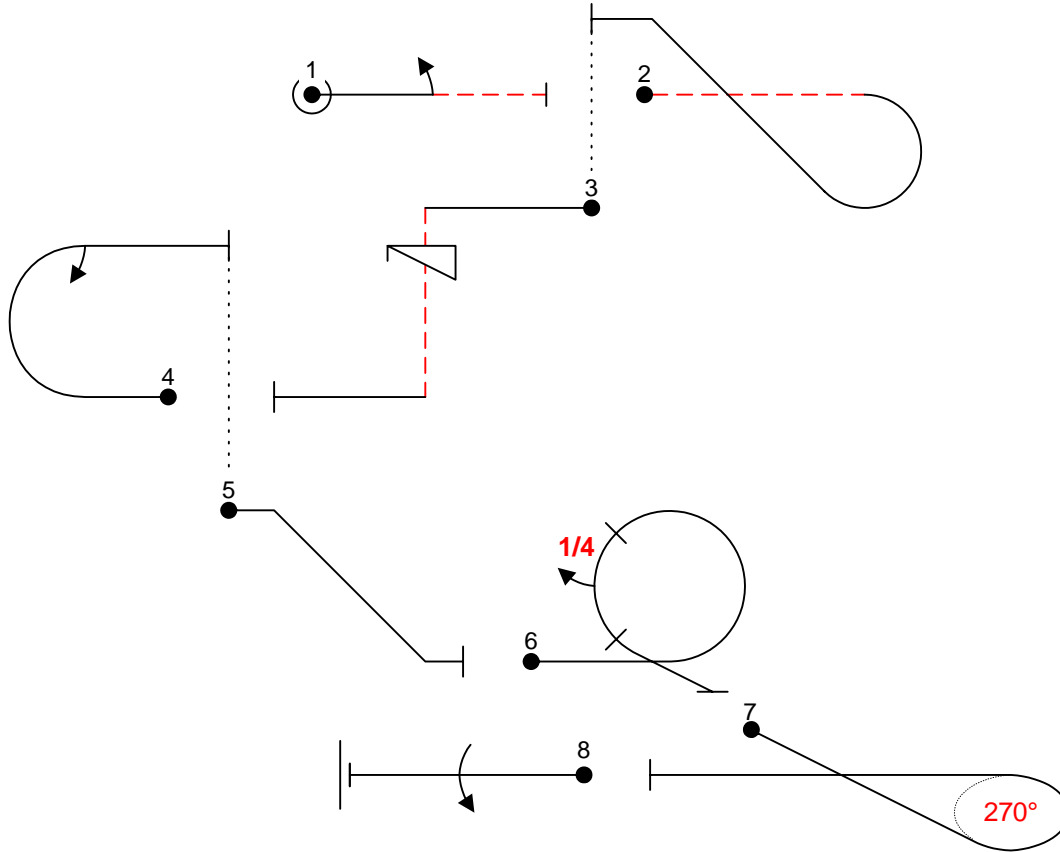
pilot



<b>B</b>	Contest:	Category: <b>Glider Sportsman</b>	
Date: <b>2003</b>	Program: <b>Known II</b>	Pilot's No.	

wind direction

Pilot:



A/C:

(signature/date)

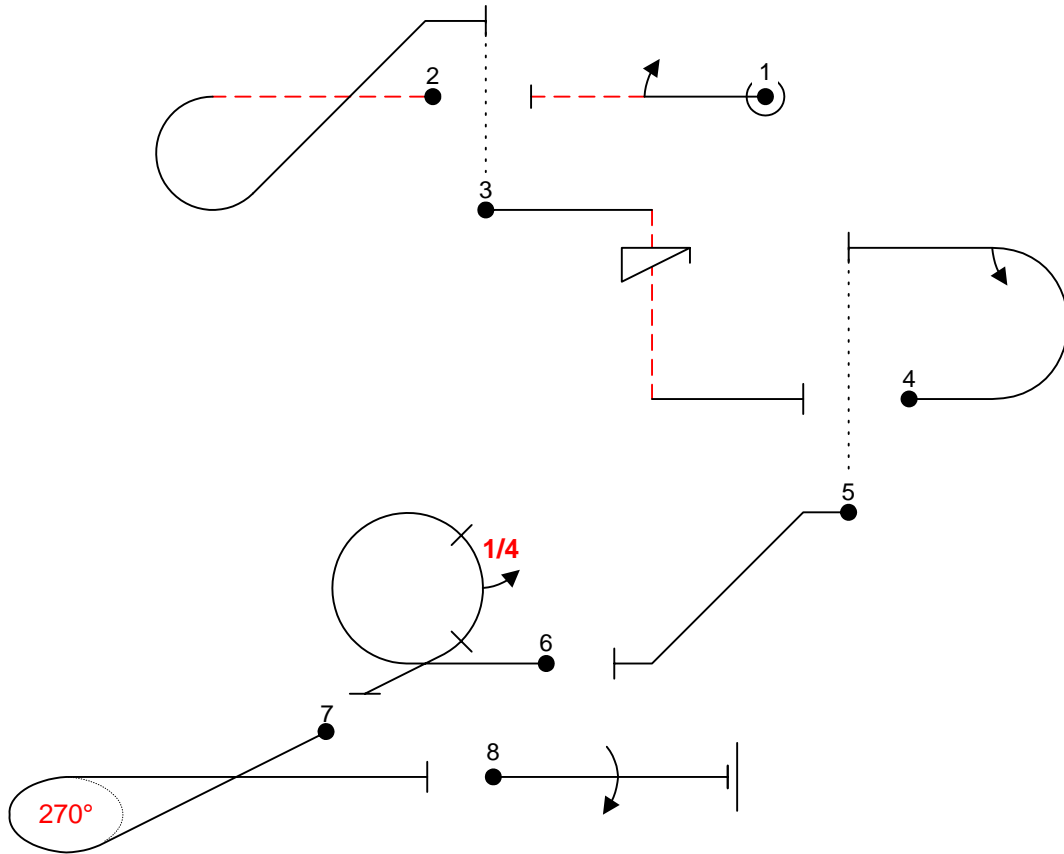
GLIDER FREE PROGRAM CHECK BY:



<b>C</b>	Contest:	Category: <b>Glider Sportsman</b>	
Date: <b>2003</b>	Program: <b>Known II</b>	Pilot's No.	

wind direction

Pilot:



A/C:

(signature/date)

GLIDER FREE PROGRAM CHECK BY: