

INTERNATIONAL AEROBATIC CLUB SCORESHEET

A	Contest:	Date:	Category: Intermediate	Programme: Unknown	pilot's number	

No	Symbol	Catalogue No.	K	Total K	Grade	Remarks	Item	K	Score
1		7.3.2.1 9.1.2.2	14 6	20			Presentation	8	
2		7.2.3.3 9.1.3.2 9.4.3.4	6 4 11	21					
3		8.5.6.1 9.1.4.2	10 4	14					
4		8.6.5.1 9.1.5.2	11 4	15					
5		5.2.1.1 9.1.1.1 9.1.5.2	17 6 4	27					
6		8.4.3.1 9.1.5.1	15 2	17					
7		7.2.1.1	6	6					
8		1.1.1.4 9.1.3.2	2 4	6					
9		2.2.1.1	4	4					
10		1.2.7.1 9.1.4.2	13 4	17					
11		7.4.1.1 9.1.3.4	10 8	18					
12		7.2.2.1 9.1.3.2	6 4	10					

FIGURE TOTAL K = **175**

INCLUDING PRESENTATION = **183**

Aircraft Type:

FREE PROGRAM CHECKED BY:

Signature:	Printed Name:	Date:
		IAC No.

Judge Name:

IAC#

Assistant Name:

IAC#



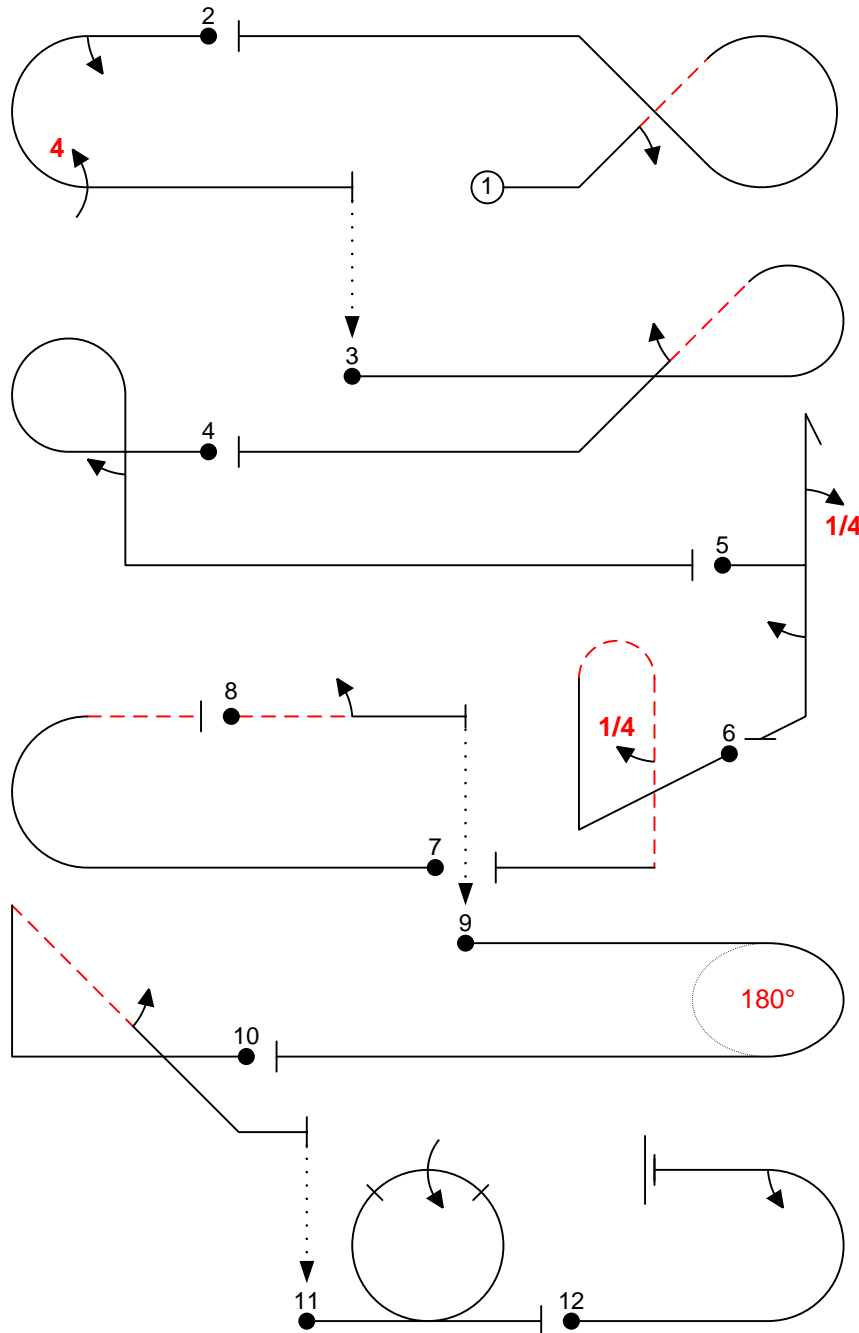
Pilot NAC



B	Contest:	Category: Intermediate	
	Date:	Program: Unknown	Pilot's No. <input type="text"/>

wind direction

Pilot
NAC



A/C:

(signature/date)

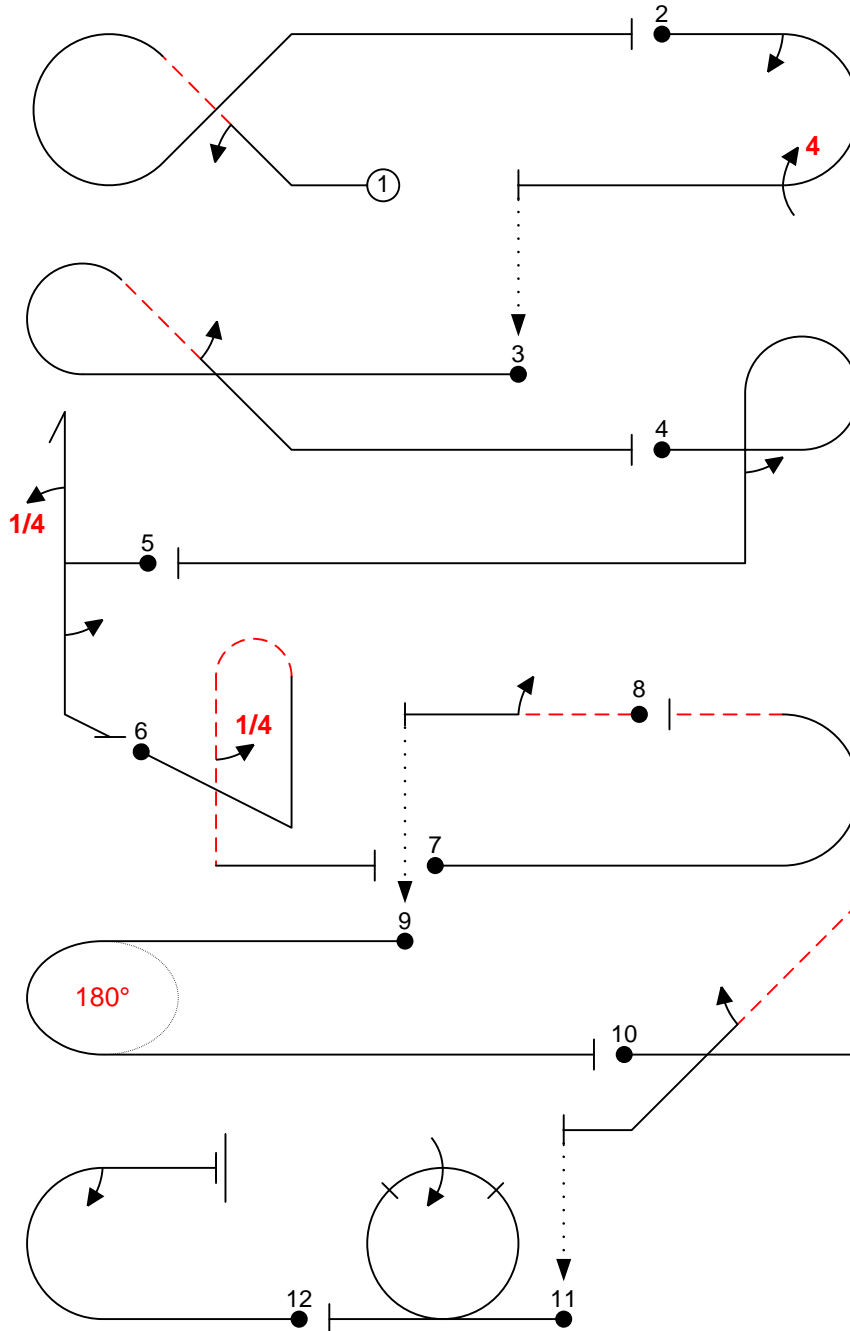
FREE PROGRAM CHECK BY:



C	Contest:	Category: Intermediate	
	Date:	Program: Unknown	Pilot's No. <input type="text"/>

pilot
NAC

wind direction



A/C:

(signature/date)

FREE PROGRAM CHECK BY: