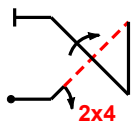
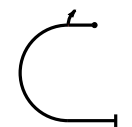
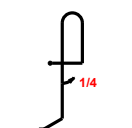

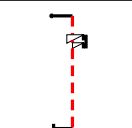
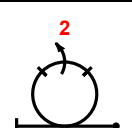
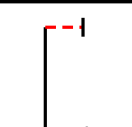
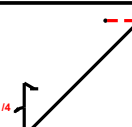
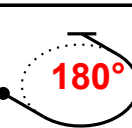
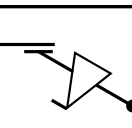


INTERNATIONAL AEROBATIC CLUB SCORESHEET										
A	Contest:				Date:	Category: Power Intermediate	Programme: Unknown	pilot's number		
	No	Symbol	Cat. No.	K	Total K	Grade	Remarks	Item	K	Score
1		1.3.2.1 9.4.2.2 9.1.2.4	18 7 10	<b>35</b>				<b>Presentation</b>	20	
2		7.2.3.3 9.1.3.2	6 4	<b>10</b>				FIGURE TOTAL K =		155
3		8.4.1.1 9.1.5.1	13 2	<b>15</b>				INC. PRESENTATION =		175
4		1.1.6.1 9.1.1.1	10 6	<b>16</b>				Aircraft type:		
5		1.1.6.3 9.11.1.6	10 3	<b>13</b>				FREE PROGRAM CHECKED BY: Signature: _____ Printed Name: _____ IAC No: _____ Date: _____		
6		7.4.1.1 9.2.3.4	10 9	<b>19</b>						
7		1.1.7.1	9	<b>9</b>				IAC # _____		
8		1.2.10.4 9.1.1.1	15 6	<b>21</b>				Assistant Name: _____		
9		2.2.1.1	4	<b>4</b>				IAC # _____		
10		1.1.1.1 9.9.3.4	2 11	<b>13</b>				IAC # _____		



\_\_\_\_\_  
Pilot

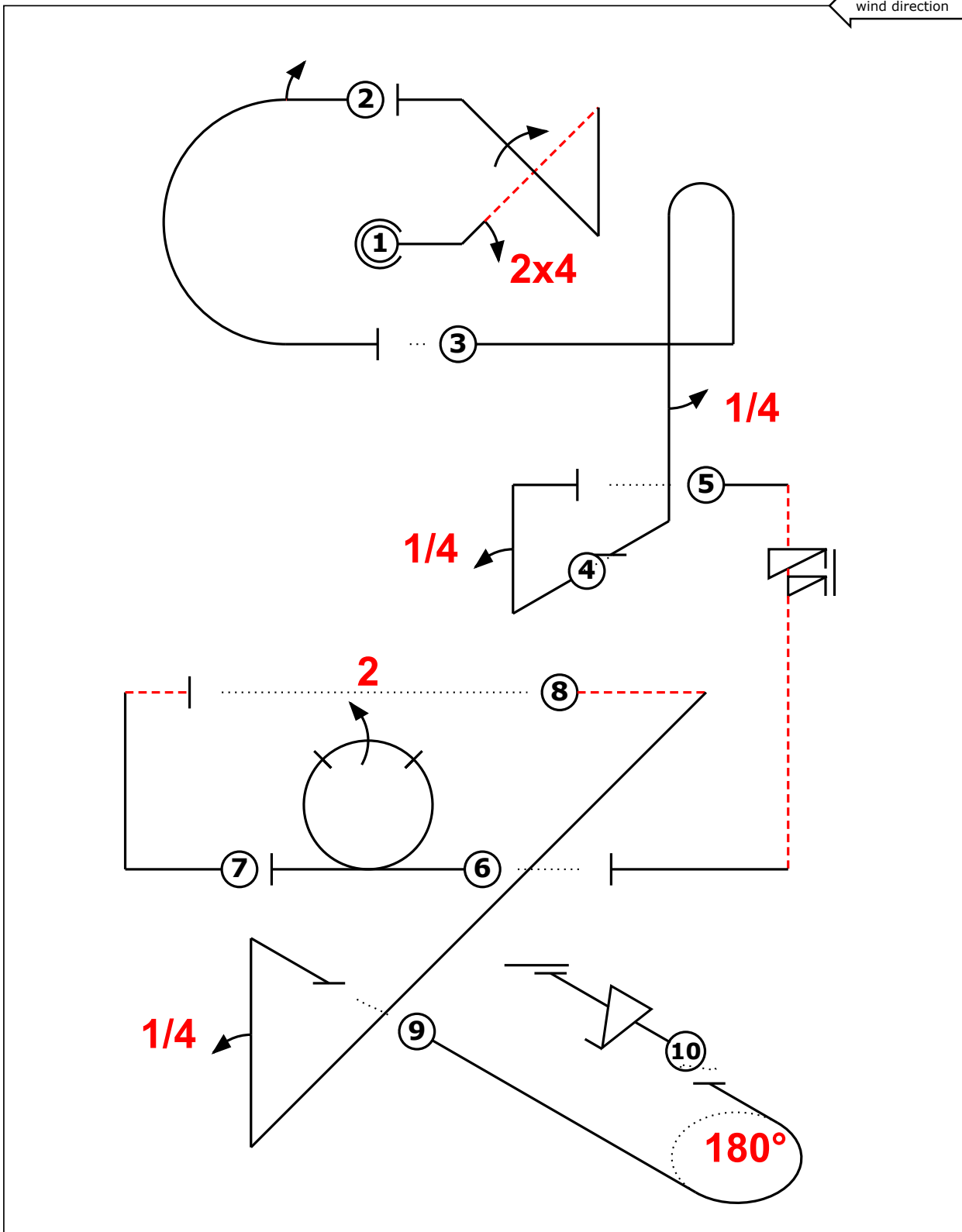
\_\_\_\_\_  
A/C



<b>B</b>	Contest:	Category: Power Intermediate
	Date:	Program: Unknown

Pilot: .....

wind direction ←



A/C: .....

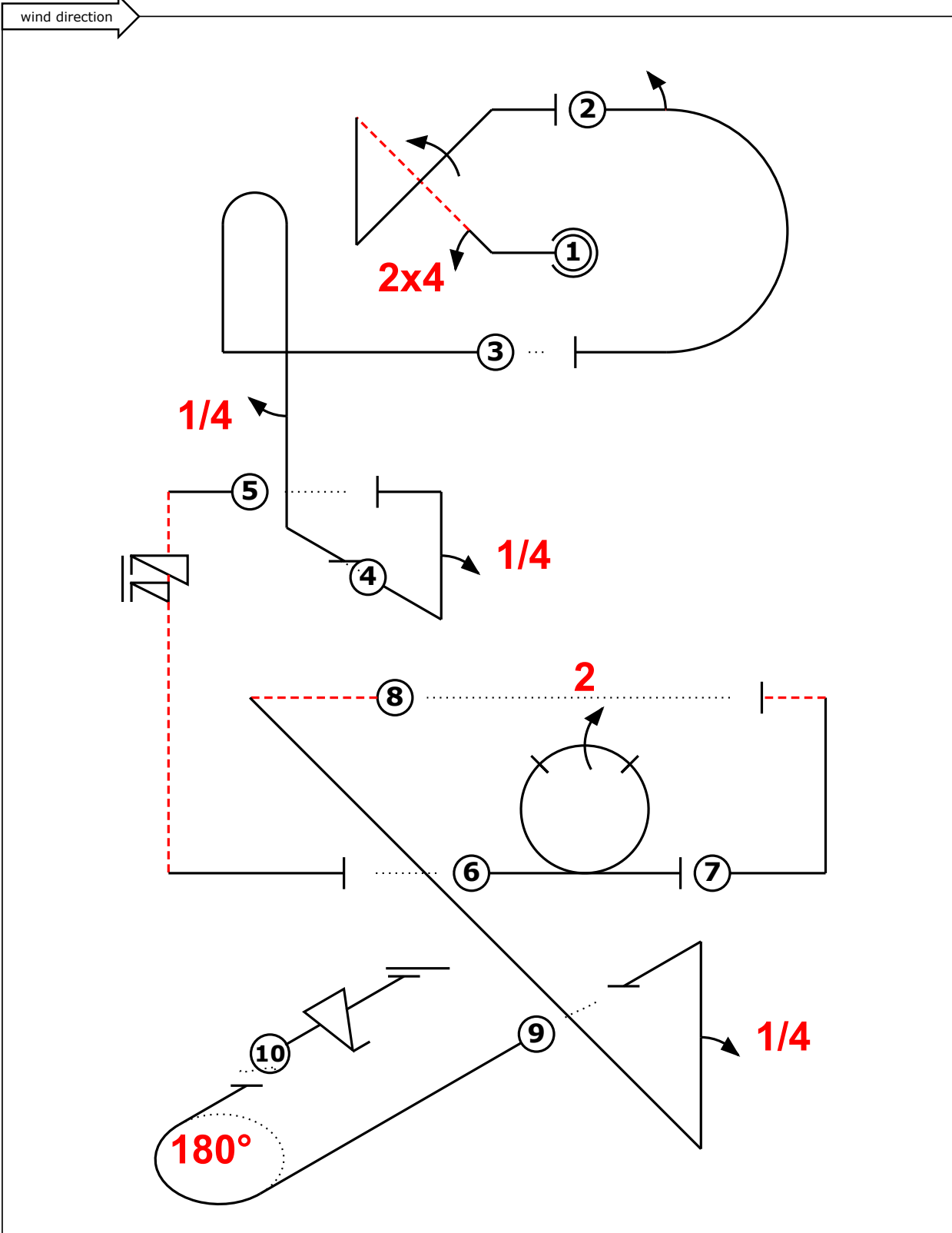
(signature/date) .....

FREE PROGRAM CHECK BY: .....



<b>C</b>	Contest:	Category:
	Date:	Program: Unknown

Pilot: .....



A/C: .....

(signature/date) .....

FREE PROGRAM CHECK BY: .....

wind direction

