

INTERNATIONAL AEROBATIC CLUB SCORESHEET

<b>A</b>	Contest:	Date:	Category: <b>Intermediate</b>	Programme: <b>Unknown1</b>	pilot's number	

No	Symbol	Catalogue No.	K	Total K	Grade	Remarks
1		7.8.15.3 9.2.4.4 9.4.4.2 9.1.4.2	23 9 5 4	41		
2		8.5.5.1	10	10		
3		7.2.3.2 9.1.3.2	7 4	11		
4		1.3.4.4 9.1.4.2 9.1.4.2	18 4 4	26		
5		8.4.1.1 9.1.5.2	13 4	17		
6		5.2.1.1 9.1.1.1	17 6	23		
7		2.1.1.1	3	3		
8		7.3.2.1 9.9.2.2	14 13	27		
9		7.2.4.3 9.1.3.2 9.8.3.2	6 4 7	17		

<b>Presentation</b>	<b>8</b>	
---------------------	----------	--

FIGURE TOTAL K =	<b>175</b>
------------------	------------

INCLUDING PRESENTATION =	<b>183</b>
--------------------------	------------

Aircraft Type:
----------------

FREE PROGRAM CHECKED BY:

Signature:	Printed Name:	Date:
		IAC No.

Judge Name:
-------------

IAC#
------

Assistant Name:
-----------------

IAC#
------

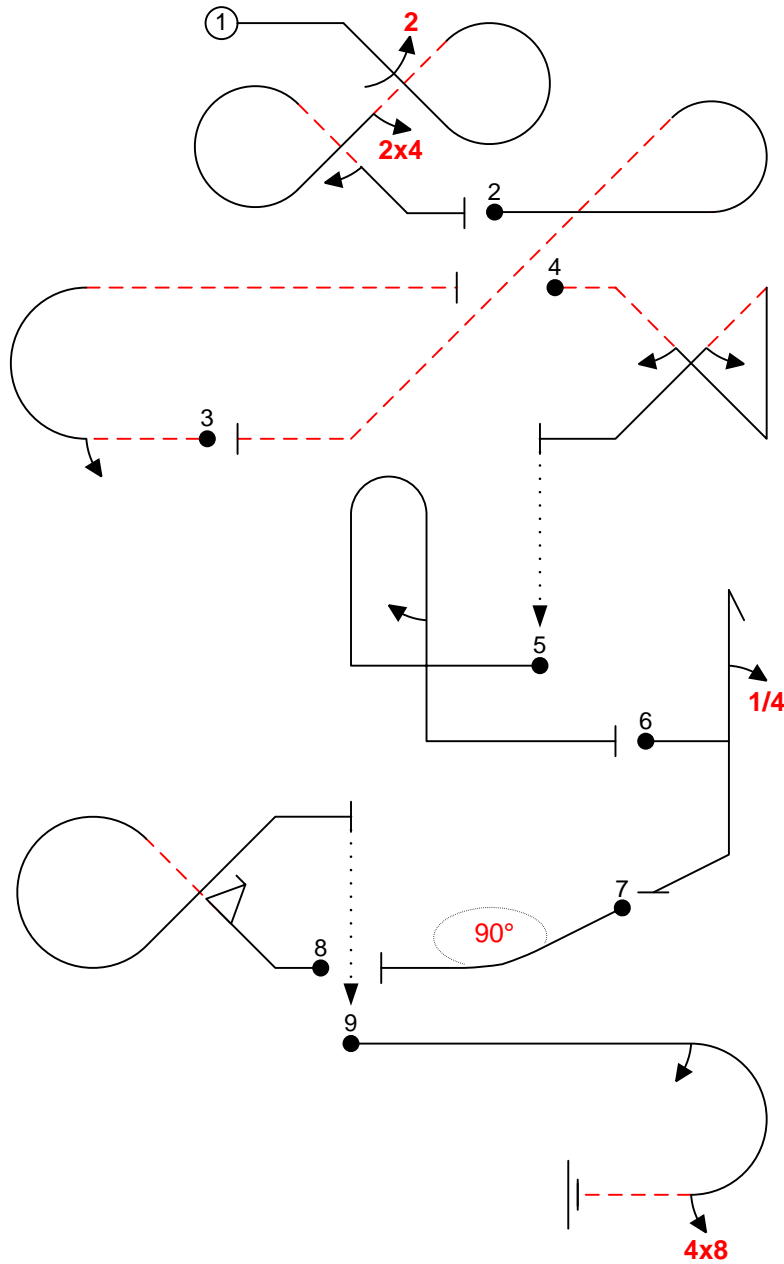




<b>B</b>	Contest:	Category: <b>Intermediate</b>	
	Date:	Program: <b>Unknown1</b>	Pilot's No. <input type="text"/>

wind direction

Pilot  
NAC



A/C:

(signature/date)

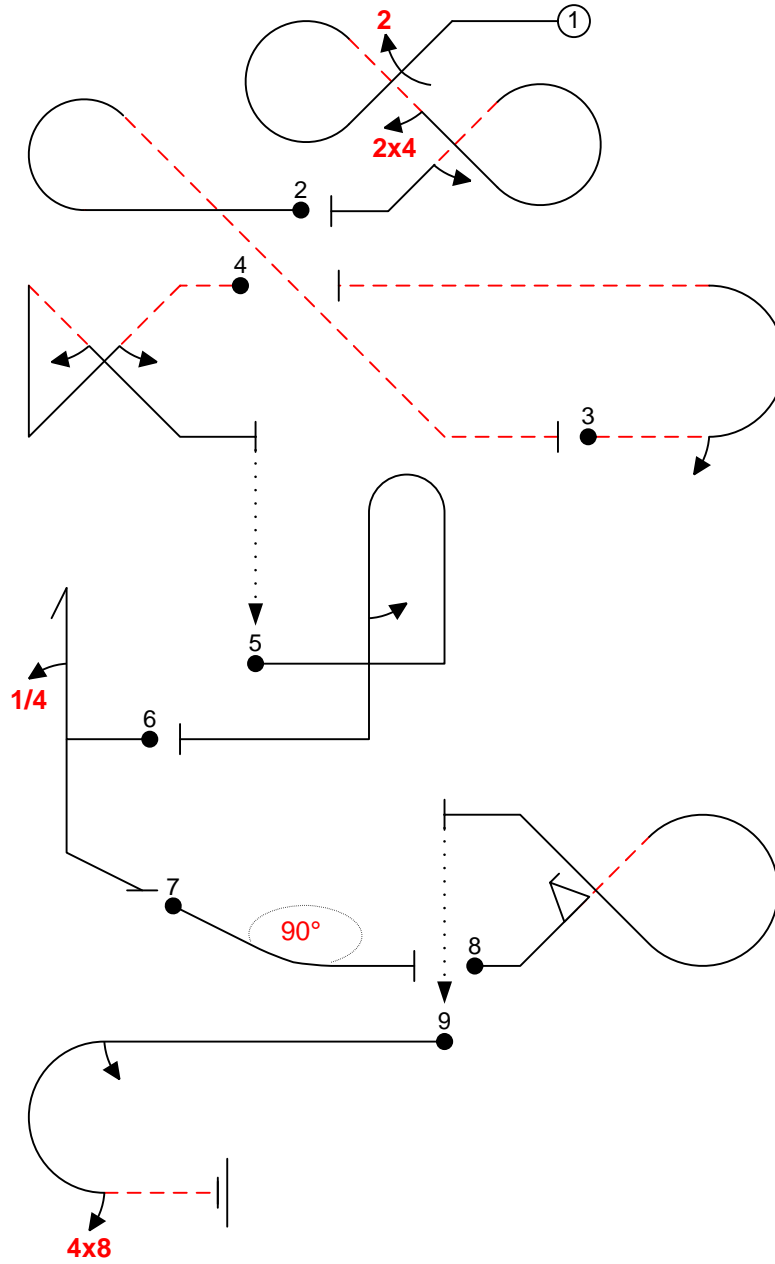
FREE PROGRAM CHECK BY:



<b>C</b>	Contest:	Category: <b>Intermediate</b>	
	Date:	Program: <b>Unknown1</b>	Pilot's No. <input type="text"/>

pilot  
NAC

wind direction



A/C:

(signature/date)

FREE PROGRAM CHECK BY: