

INTERNATIONAL AEROBATIC CLUB SCORESHEET

A

Contest:	Date:	Category: Intermediate	Programme: Unknown	pilot's number	
----------	-------	----------------------------------	------------------------------	----------------	--

No	Symbol	Catalogue No.	K	Total K	Grade	Remarks
1		1.2.4.4 9.1.4.2 9.1.1.1	13 4 6	23		
2		1.2.8.3 9.11.1.5 9.1.2.2	15 4 6	25		
3		7.2.1.4 9.1.3.4	6 8	14		
4		8.4.3.1	15	15		
5		5.2.1.1 9.1.1.1 9.1.5.2	17 6 4	27		
6		8.4.1.1 9.1.5.1	13 2	15		
7		7.2.1.1	6	6		
8		1.3.11.4 9.1.2.2	20 6	26		
9		7.4.1.1	10	10		
10		2.1.3.1	14	14		

Item	K	Score
Presentation	8	

FIGURE TOTAL K = **175**

INCLUDING PRESENTATION = **183**

Aircraft Type:

FREE PROGRAM CHECKED BY:

Signature:	Printed Name:	IAC No.	Date:

Judge Name:

IAC#

Assistant Name:

IAC#



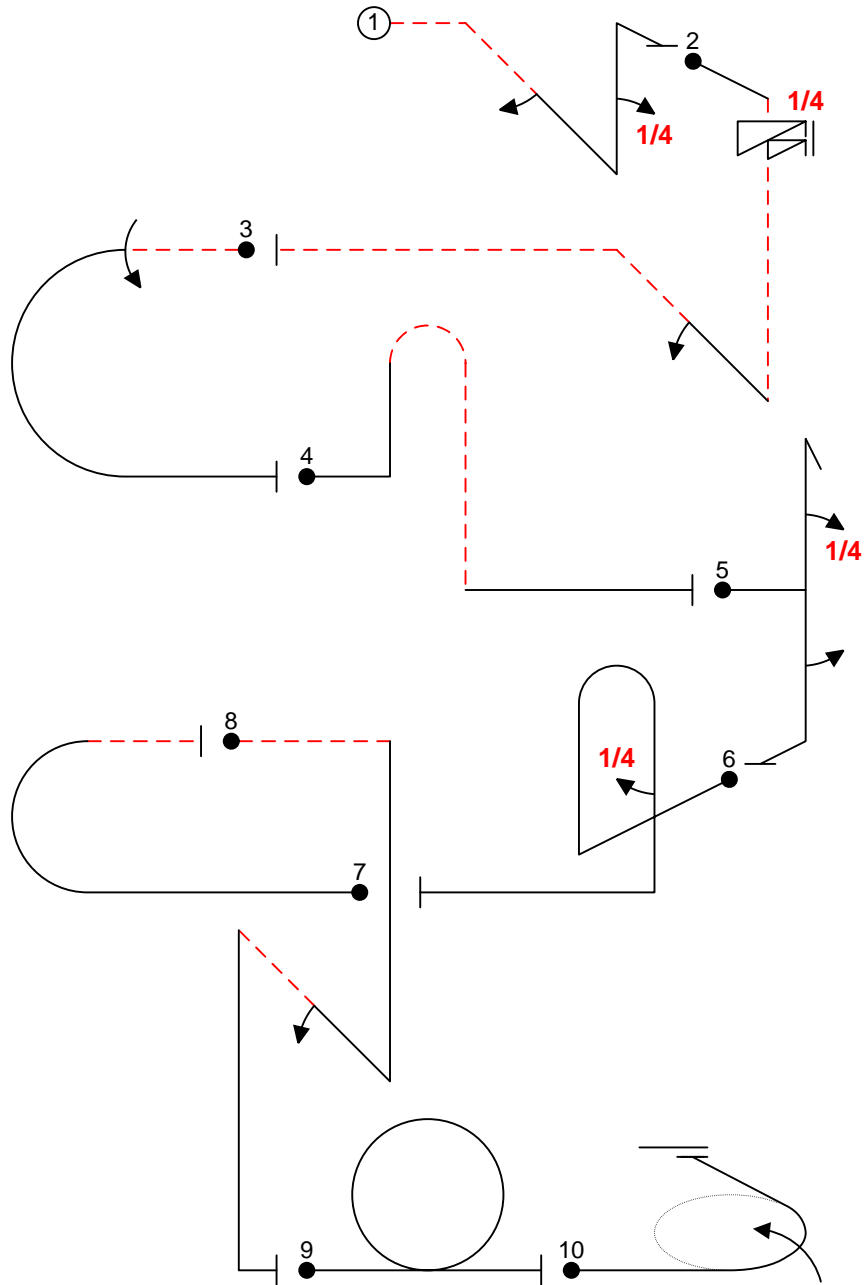
Pilot NAC



B	Contest:	Category: Intermediate	
	Date:	Program: Unknown	Pilot's No. <input type="text"/>

wind direction

Pilot
NAC



A/C:

(signature/date)

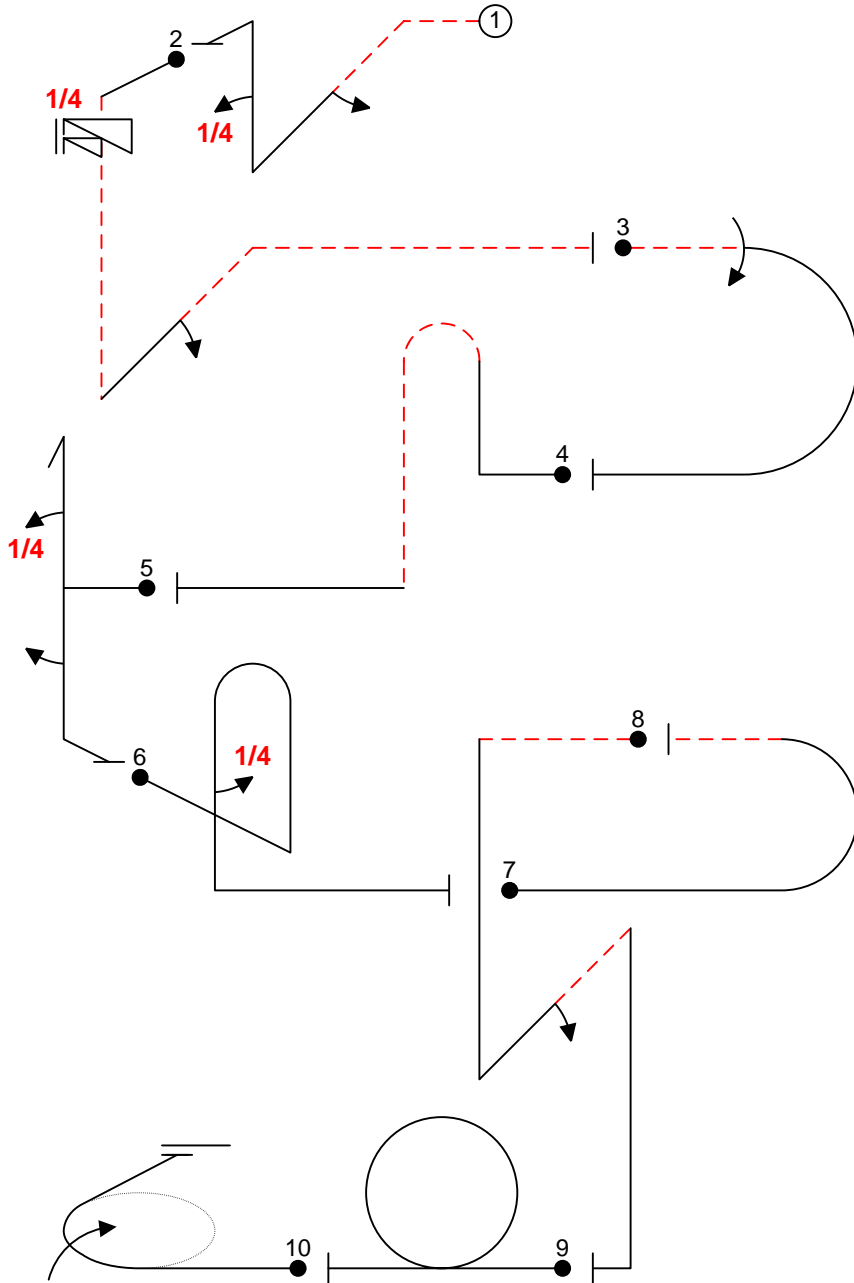
FREE PROGRAM CHECK BY:



C	Contest:	Category: Intermediate	
	Date:	Program: Unknown	Pilot's No. <input type="text"/>

pilot
NAC

wind direction



Created Using Aresti 2013™ software. ACCassidy@aol.com

FREE PROGRAM CHECK BY: (signature/date) A/C: