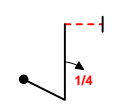
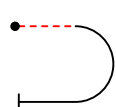
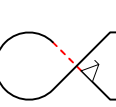
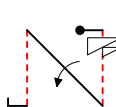
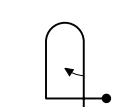
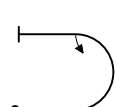
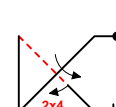
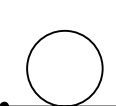
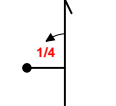


INTERNATIONAL AEROBATIC CLUB SCORESHEET

A	Contest:	Date:	Category: Intermediate	Programme: Unknown	pilot's number	

No	Symbol	Catalogue No.	K	Total K	Grade	Remarks
1		1.1.7.1 9.1.1.1	9 6	15		
2		7.2.1.4	6	6		
3		7.3.2.1 9.9.2.2	14 13	27		
4		1.3.13.3 9.11.1.6 9.1.2.4	23 3 10	36		
5		8.4.1.1 9.1.5.2	13 4	17		
6		7.2.2.1 9.1.3.2	6 4	10		
7		1.3.3.3 9.1.4.4 9.4.4.2	18 8 5	31		
8		7.4.1.1	10	10		
9		5.2.1.1 9.1.1.1	17 6	23		

Presentation	8	
---------------------	----------	--

FIGURE TOTAL K = 175

INCLUDING PRESENTATION = 183

Aircraft Type:

FREE PROGRAM CHECKED BY:

Signature:	Printed Name:	Date:
		IAC No.

Judge Name:

IAC#

Assistant Name:

IAC#



Pilot NAC

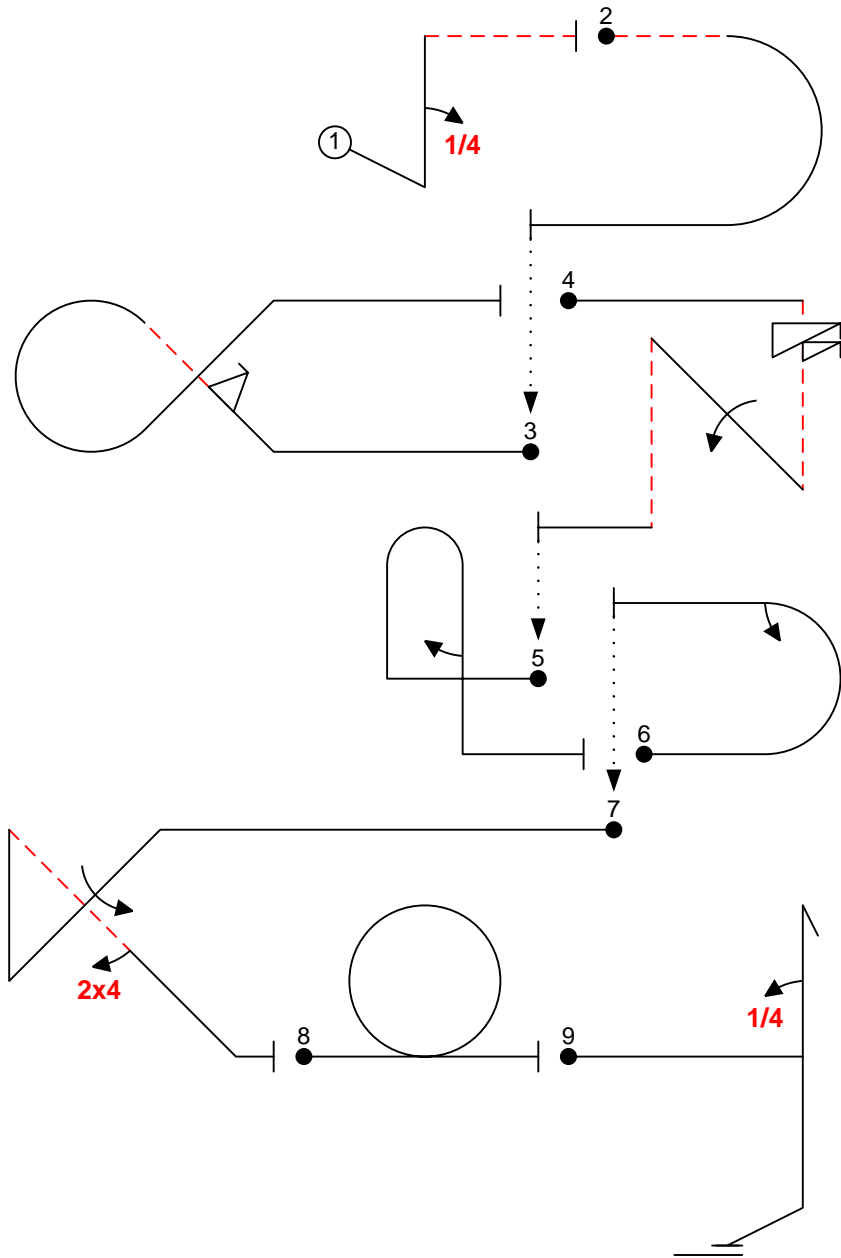


B	Contest:	Category: Intermediate	
	Date:	Program: Unknown	Pilot's No. <input type="text"/>

wind direction

Pilot
NAC

NOTE CROSS-BOX ENTRY



A/C: _____

FREE PROGRAM CHECK BY: (signature/date) _____

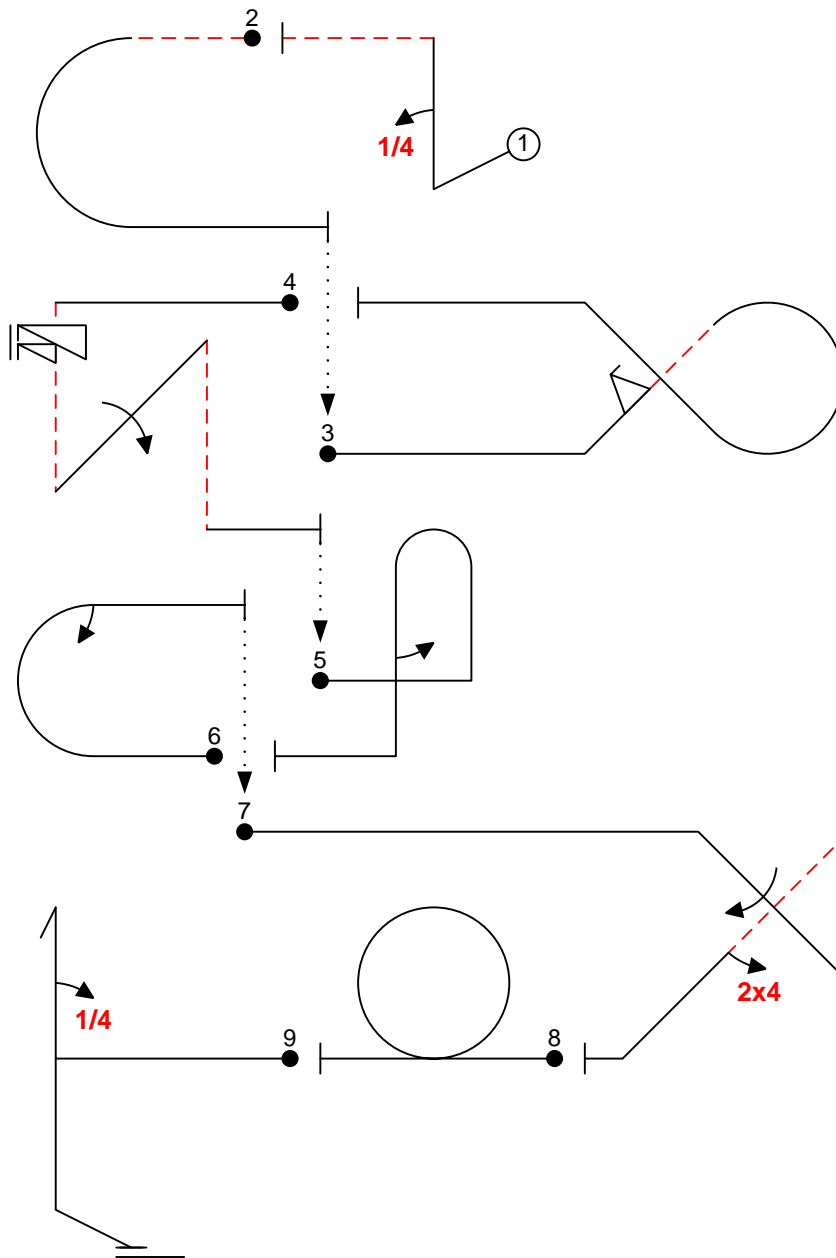


C	Contest:	Category: Intermediate	
	Date:	Program: Unknown	Pilot's No. <input type="text"/>

pilot
NAC

wind direction

NOTE CROSS-BOX ENTRY



A/C:

(signature/date)

FREE PROGRAM CHECK BY: