

INTERNATIONAL AEROBATIC CLUB SCORESHEET

A	Contest:	Date:	Category: Intermediate	Programme: Unknown	pilot's number	

No	Symbol	Catalogue No.	K	Total K	Grade	Remarks	Item	K	Score	
1		8.6.1.1 9.4.3.4	11 11	22			Presentation	8		
2		8.5.6.1 9.4.4.2	10 5	15			FIGURE TOTAL K =		175	
3		1.1.7.1	9	9			INCLUDING PRESENTATION =		183	
4		1.1.1.4 9.8.3.2	2 7	9			Aircraft Type:			
5		7.2.3.3 9.1.3.2 9.1.3.4	6 4 8	18			FREE PROGRAM CHECKED BY: Signature: _____ Printed Name: _____ IAC No. _____ Date: _____			
6		5.2.1.1 9.1.5.1	17 2	19						
7		8.4.3.1 9.1.1.1	15 6	21						
8		7.2.1.1	6	6						
9		7.3.4.4 9.1.4.2 9.4.4.2	15 4 5	24				Judge Name:		
10		7.4.1.1 9.9.3.4	10 11	21				IAC#		
11		2.2.1.1	4	4				Assistant Name:		
12		1.1.2.1	7	7				IAC#		



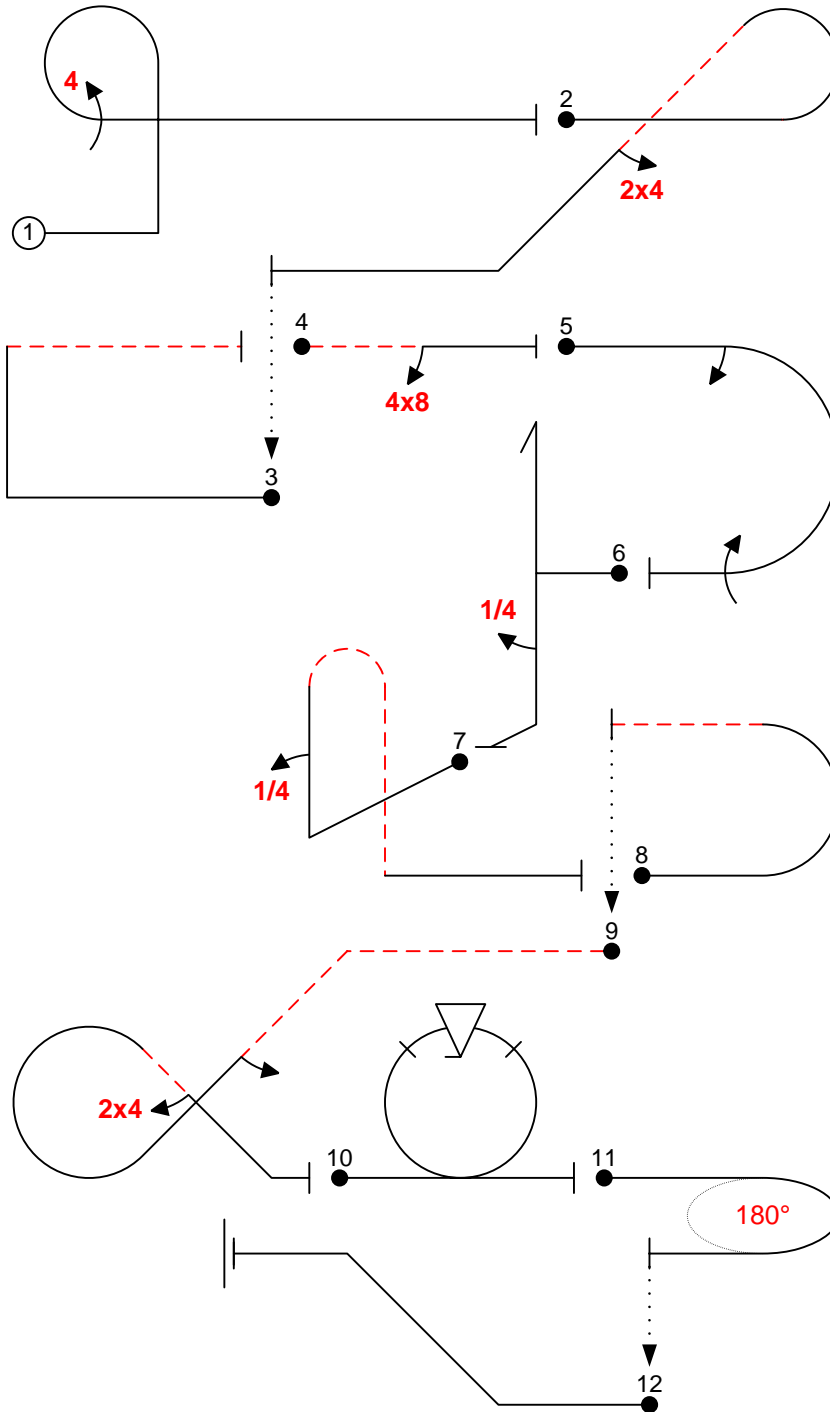
Pilot _____
NAC _____



B	Contest:	Category: Intermediate	
	Date:	Program: Unknown	Pilot's No. <input type="text"/>

wind direction

Pilot
NAC



Created Using Aresti 2013™ software. ACCassidy@aol.com

A/C:

(signature/date)

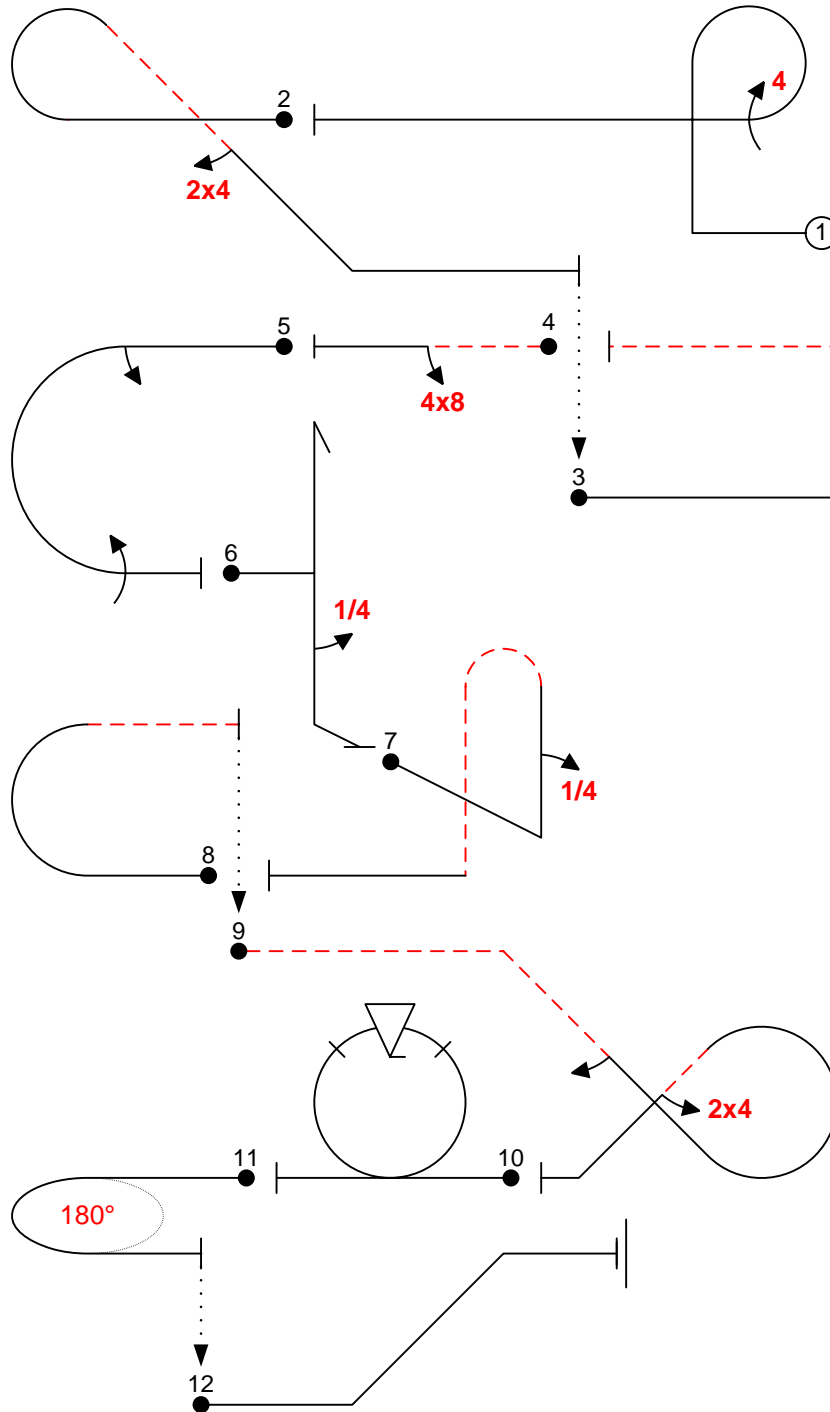
FREE PROGRAM CHECK BY:



C	Contest:	Category: Intermediate	
	Date:	Program: Unknown	Pilot's No. <input type="text"/>

pilot
NAC

wind direction



Created Using Aresti 2013™ software. ACCassidy@aol.com

A/C:

(signature/date)

FREE PROGRAM CHECK BY: