

INTERNATIONAL AEROBATIC CLUB SCORESHEET

A

Contest:	Date:	Category: Intermediate	Programme: Unknown	pilot's number	
----------	-------	----------------------------------	------------------------------	----------------	--

No	Symbol	Catalogue No.	K	Total K	Grade	Remarks
1		1.1.2.3 9.1.4.4	7 8	15		
2		7.3.2.1 9.4.2.2	14 7	21		
3		7.2.4.3 9.1.3.2 9.1.3.6	6 4 10	20		
4		8.6.7.2 9.1.3.2	12 4	16		
5		5.2.1.1 9.1.1.1 9.1.5.2	17 6 4	27		
6		8.4.3.1 9.1.1.1 9.1.5.2	15 6 4	25		
7		7.2.1.1	6	6		
8		8.5.4.4 9.4.4.2 9.1.3.2	11 5 4	20		
9		1.3.3.3 9.1.4.2	18 4	22		
10		2.1.1.1	3	3		

Item	K	Score
Presentation	8	

FIGURE TOTAL K =	175
INCLUDING PRESENTATION =	183

Aircraft Type:

FREE PROGRAM CHECKED BY:

Signature:	Printed Name:	Date:
		IAC No.

Judge Name:

IAC#

Assistant Name:

IAC#



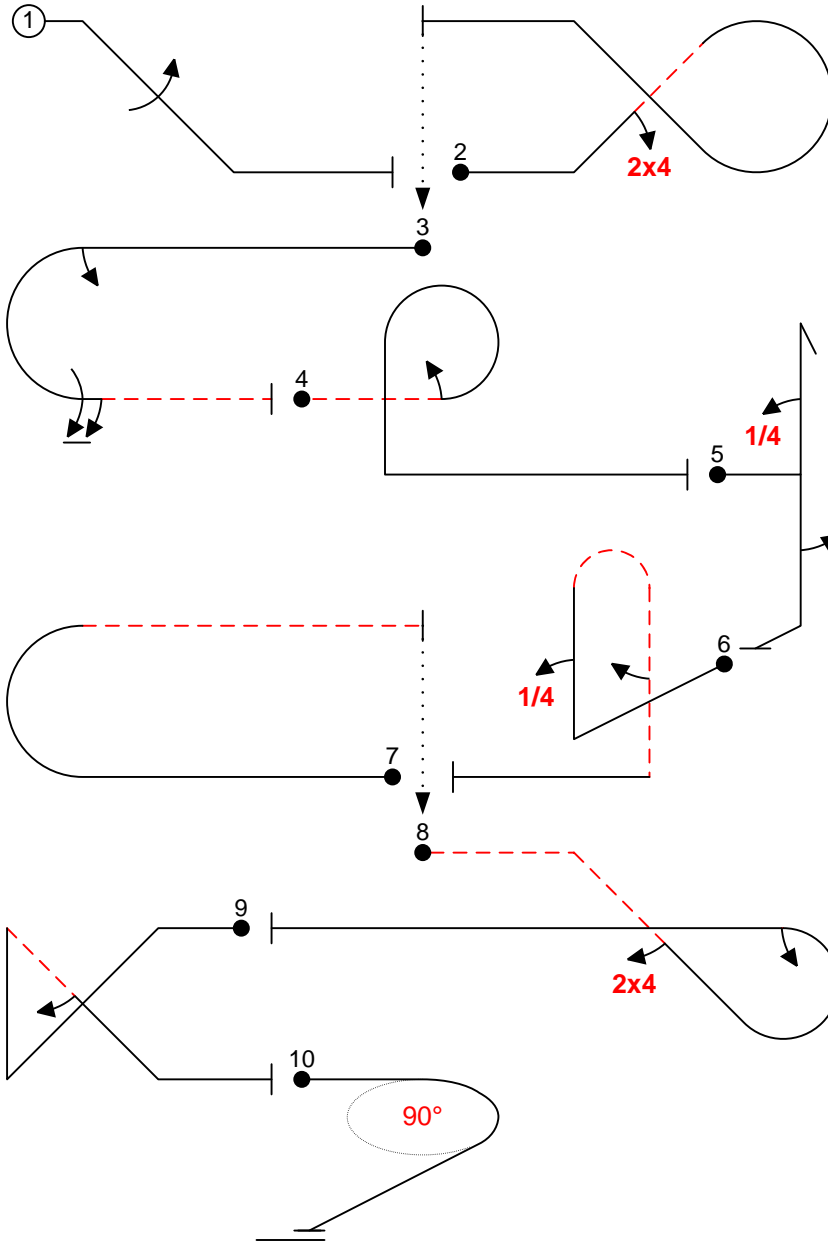
Pilot NAC



B	Contest:	Category: Intermediate	
	Date:	Program: Unknown	Pilot's No. <input type="text"/>

wind direction

Pilot
NAC



A/C:

(signature/date)

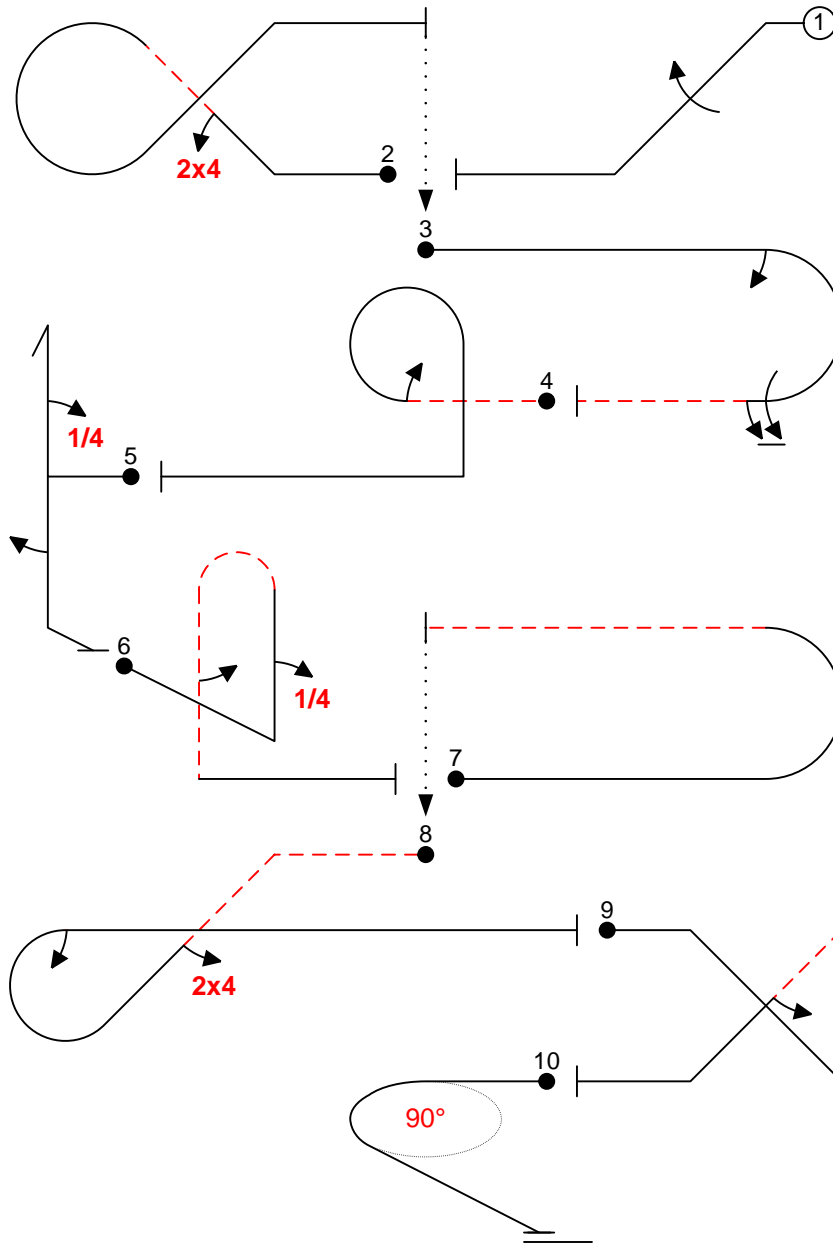
FREE PROGRAM CHECK BY:



C	Contest:	Category: Intermediate	
	Date:	Program: Unknown	Pilot's No. <input type="text"/>

pilot
NAC

wind direction



A/C:

(signature/date)

FREE PROGRAM CHECK BY: