

INTERNATIONAL AEROBATIC CLUB SCORESHEET

A	Contest:	Date:	Category: <b>Intermediate</b>	Programme: <b>Unknown</b>	pilot's number	

No	Symbol	Catalogue No.	K	Total K	Grade	Remarks	Item	K	Score
1		8.5.9.1	12	12			<b>Presentation</b>	<b>8</b>	
2		8.6.5.1 9.1.5.2	11 4	15			FIGURE TOTAL K =		<b>175</b>
3		1.1.1.3 9.4.3.2	2 5	7			INCLUDING PRESENTATION =		<b>183</b>
4		8.5.8.2 9.1.3.2 9.4.4.2	11 4 5	20			Aircraft Type:		
5		8.4.1.1 9.1.5.1	13 2	15			FREE PROGRAM CHECKED BY: Signature: _____ Printed Name: _____ IAC No. _____ Date: _____		
6		8.4.3.1 9.1.5.2	15 4	19					
7		5.2.1.1 9.1.1.1	17 6	23					
8		7.2.2.1 9.2.3.4 9.1.3.2	6 9 4	19					
9		1.1.1.1 9.9.3.4	2 11	13					
10		2.2.1.1	4	4					
11		7.3.3.3 9.1.4.2	14 4	18					
12		7.4.1.1	10	10					

Judge Name:
IAC#

Assistant Name:
IAC#



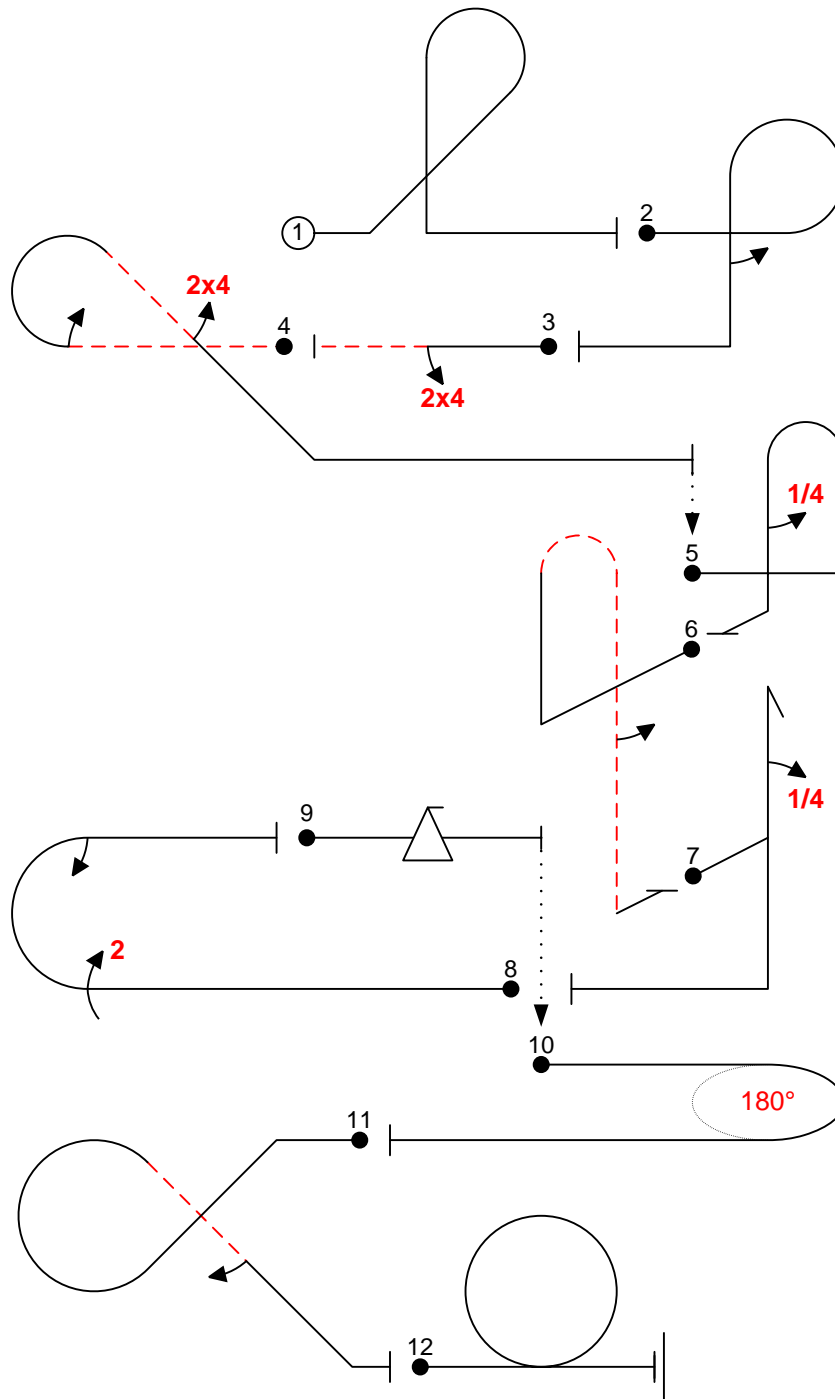
Pilot \_\_\_\_\_  
NAC \_\_\_\_\_



<b>B</b>	Contest:	Category: <b>Intermediate</b>
Date:	Program: <b>Unknown</b>	Pilot's No. <input type="text"/>

wind direction

Pilot  
NAC



A/C:

(signature/date)

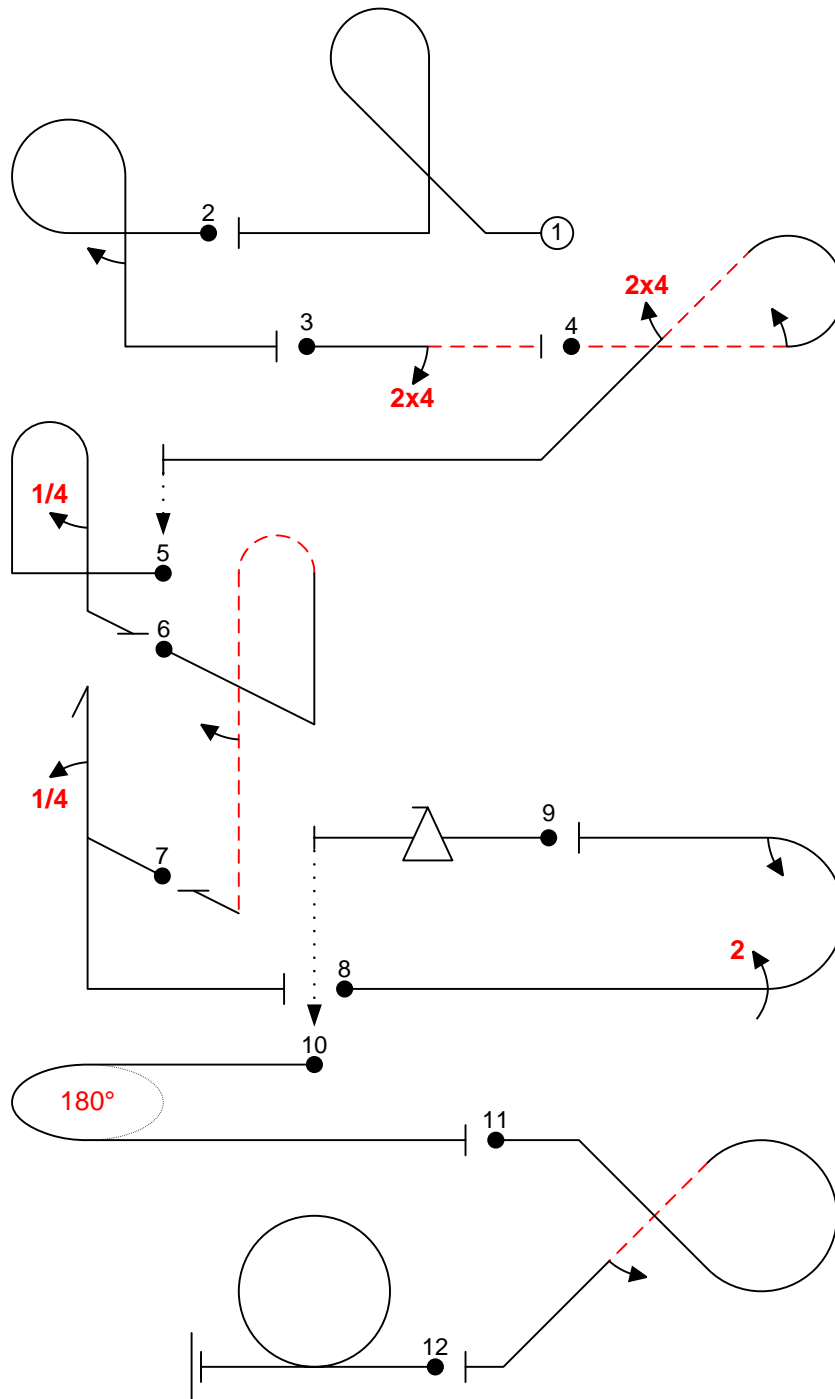
FREE PROGRAM CHECK BY:



<b>C</b>	Contest:	Category: <b>Intermediate</b>	
	Date:	Program: <b>Unknown</b>	Pilot's No. <input type="text"/>

pilot  
NAC

wind direction



A/C:

(signature/date)

FREE PROGRAM CHECK BY: