

INTERNATIONAL AEROBATIC CLUB SCORESHEET

**A**

Contest:	Date:	Category: <b>Intermediate</b>	Programme: <b>Unknown</b>	pilot's number	
----------	-------	----------------------------------	------------------------------	----------------	--

No	Symbol	Catalogue No.	K	Total K	Grade	Remarks
1		1.1.6.1 9.1.1.1	10 6	16		
2		1.2.6.3 9.11.1.5	15 4	19		
3		7.2.3.3 9.4.3.2 9.4.3.4	6 5 11	22		
4		8.4.1.1 9.1.1.1 9.1.5.2	13 6 4	23		
5		8.4.3.1 9.1.5.2	15 4	19		
6		5.2.1.1 9.1.5.1	17 2	19		
7		7.2.2.1 9.1.3.2	6 4	10		
8		7.3.3.3 9.1.4.2	14 4	18		
9		7.4.3.1	14	14		
10		7.2.1.1 9.2.3.4	6 9	15		

<b>Presentation</b>	<b>8</b>	
---------------------	----------	--

FIGURE TOTAL K = **175**

INCLUDING PRESENTATION = **183**

Aircraft Type:

FREE PROGRAM CHECKED BY:

Signature:	Printed Name:	Date:
		IAC No.

Judge
Name
Number

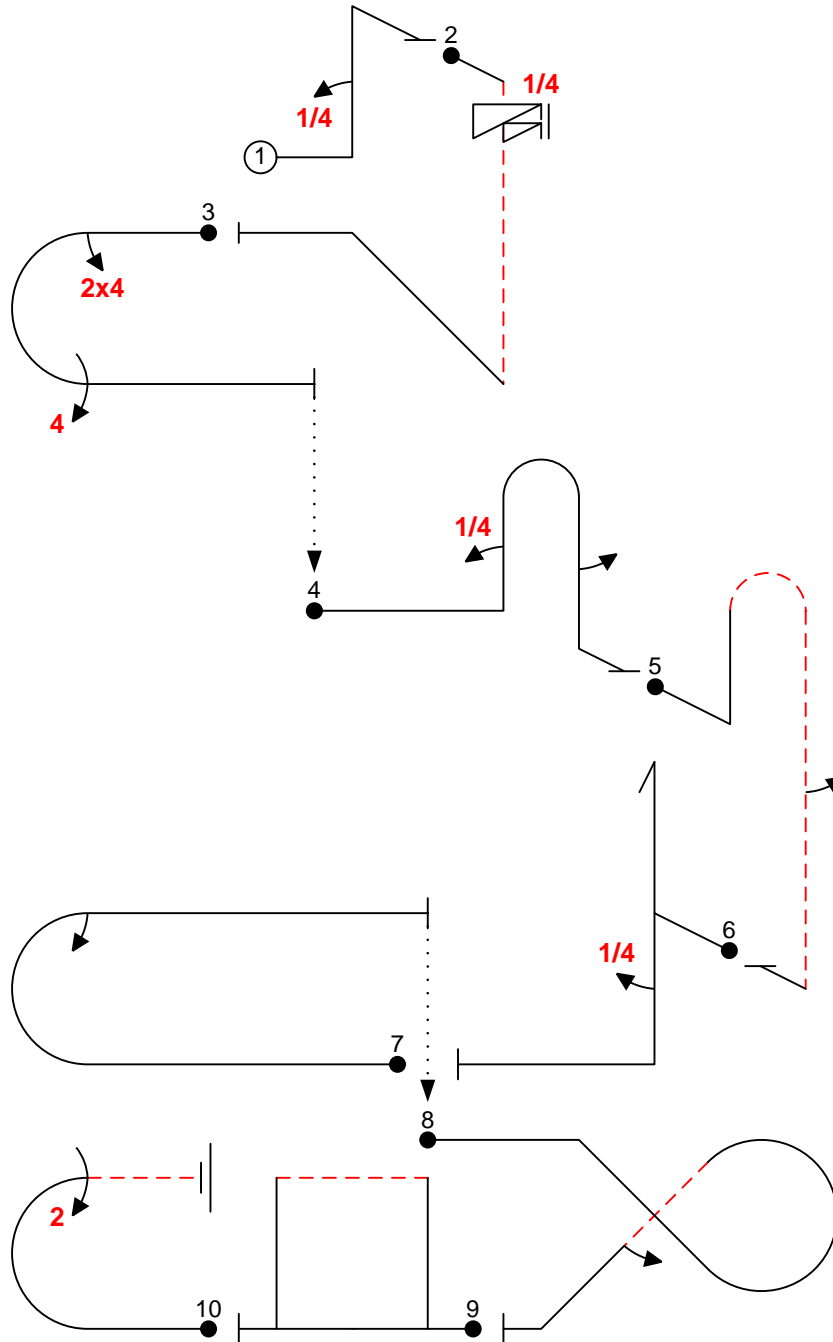




<b>B</b>	Contest:	Category: <b>Intermediate</b>
Date:	Program: <b>Unknown</b>	Pilot's No. <input type="text"/>

wind direction

Pilot:



A/C:

(signature/date)

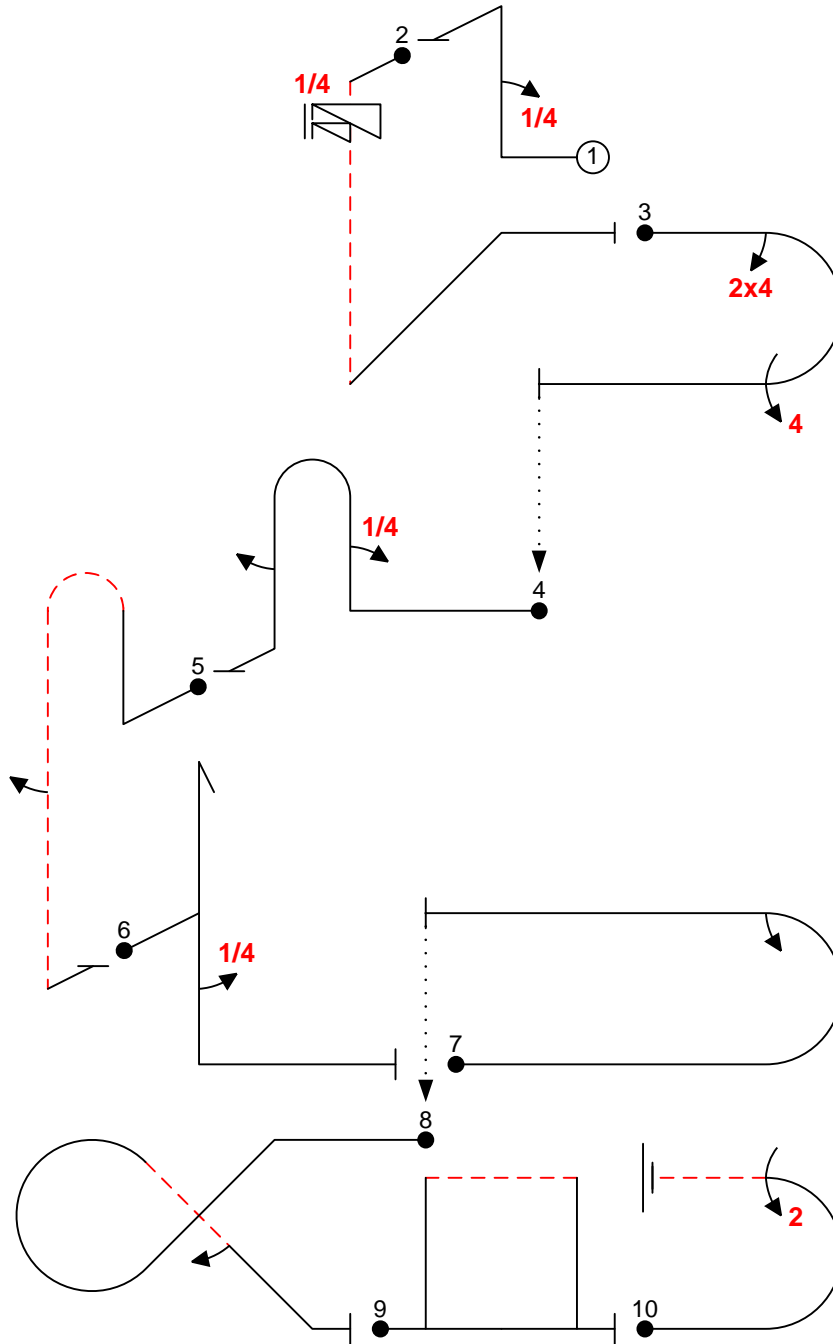
FREE PROGRAM CHECK BY:



<b>C</b>	Contest:	Category: <b>Intermediate</b>
Date:	Program: <b>Unknown</b>	Pilot's No. <input type="text"/>

wind direction

Pilot: \_\_\_\_\_



Created Using Aresti 2013™ software. ACCassidy@aol.com

A/C: \_\_\_\_\_

(signature/date)

FREE PROGRAM CHECK BY: \_\_\_\_\_