
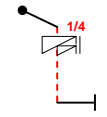
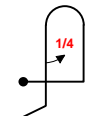
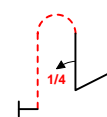
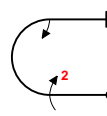
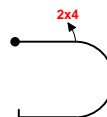
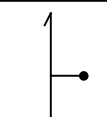

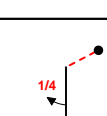
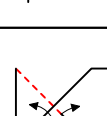



INTERNATIONAL AEROBATIC CLUB SCORESHEET

A

Contest:	Date:	Category: Intermediate	Programme: Unknown	pilot's number	
----------	-------	----------------------------------	------------------------------	----------------	--

No	Symbol	Catalogue No.	K	Total K	Grade	Remarks	Item	K	Score			
1		2.1.3	5	5			Presentation	8				
2		1.6.3 9.11.1.5	10 4	14						FIGURE TOTAL K =	175	
3		8.1.1 9.1.5.1	13 2	15						INCLUDING PRESENTATION =	183	
4		8.3.1 9.1.1.1	15 6	21						Aircraft Type:		
5		7.2.1 9.2.3.4 9.1.3.2	6 9 4	19						FREE PROGRAM CHECKED BY: Signature: _____ Printed Name: _____ IAC No. _____ Date: _____		
6		7.3.3 9.4.3.2	6 5	11								
7		5.1.1	17	17								
8		1.7.1 9.1.1.1	9 6	15								
9		1.7.4 9.1.5.1	9 2	11								
10		1.29.1 9.1.2.2 9.1.2.4	18 6 10	34								
11		1.1.1 9.9.3.4	2 11	13								

Judge	
Name	
Number	



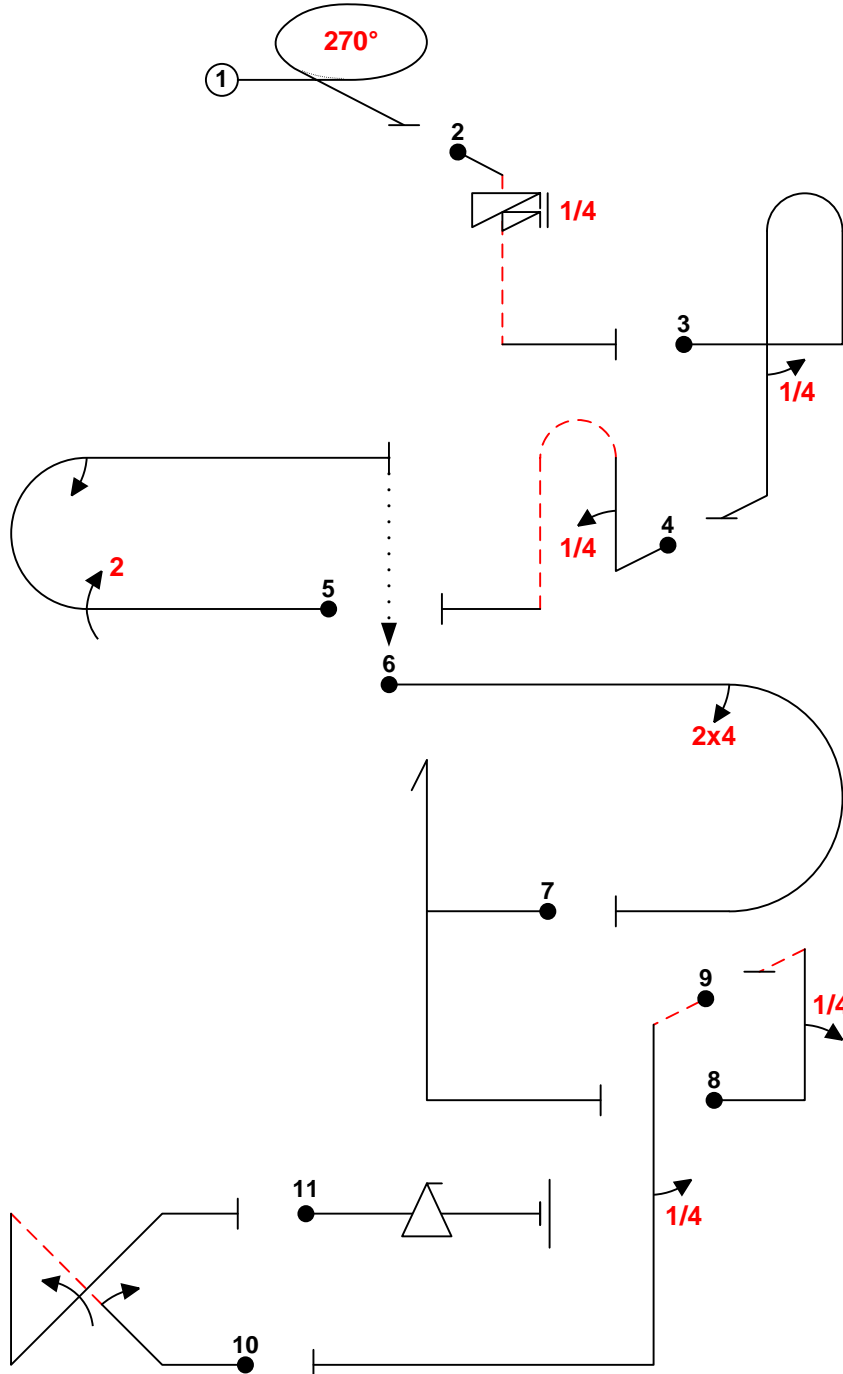
pilot



B	Contest:	Category: Intermediate
Date:	Program: Unknown	Pilot's No. <input type="text"/>

wind direction

Pilot:



Created Using Aresti 2010™ software. ACCassidy@aol.com

A/C:

(signature/date)

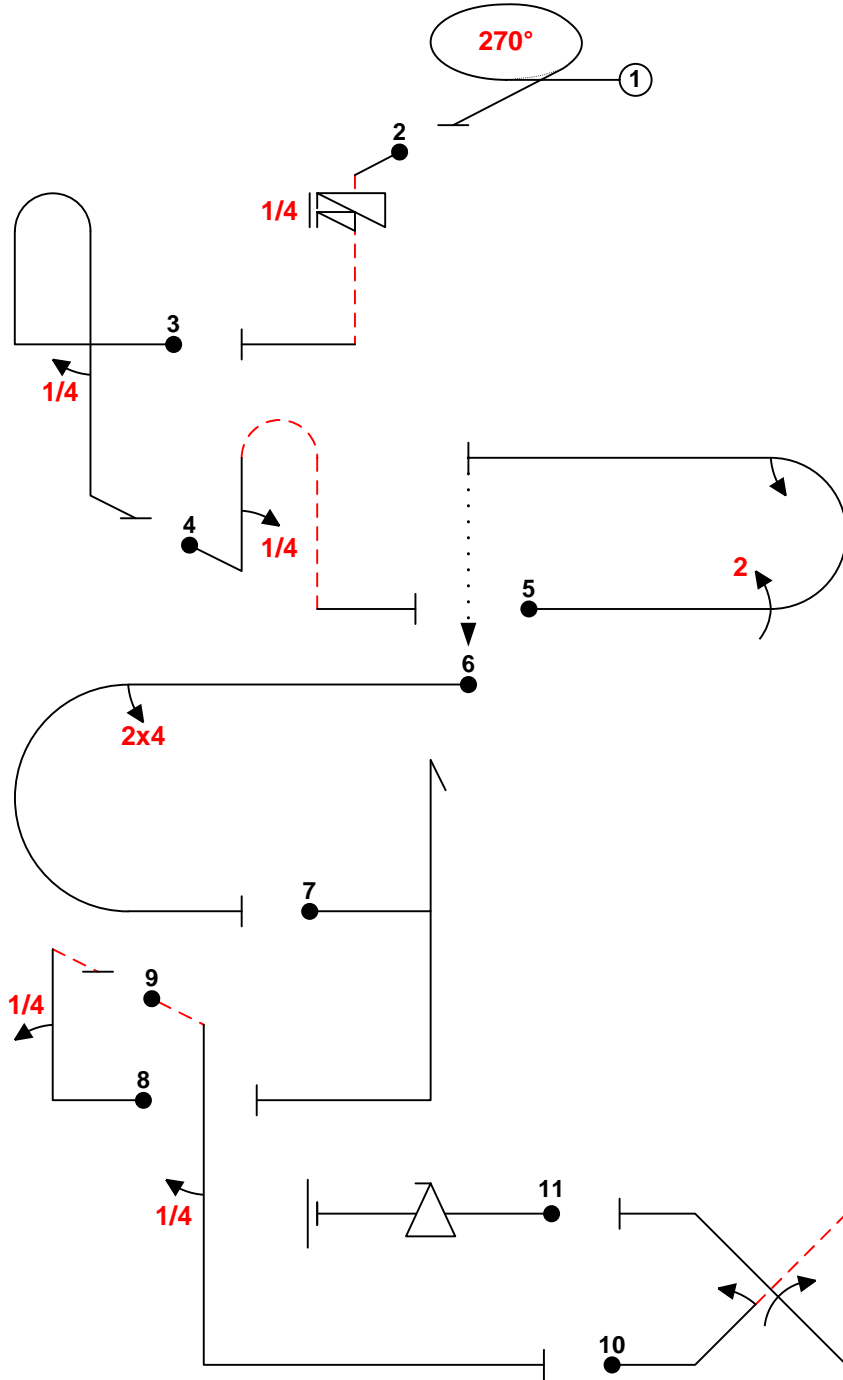
FREE PROGRAM CHECK BY:



C	Contest:	Category: Intermediate
Date:	Program: Unknown	Pilot's No. <input type="text"/>

wind direction

Pilot: _____



A/C: _____

(signature/date)

FREE PROGRAM CHECK BY: _____