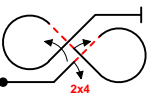
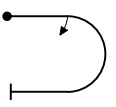
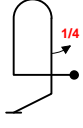

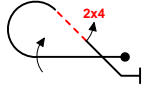
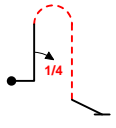
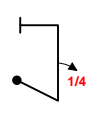

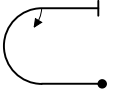


**INTERNATIONAL AEROBATIC CLUB SCORESHEET**

A	Contest:	Date:	Category: <b>Intermediate</b>	Programme: <b>Unknown</b>	pilot's number	

No	Symbol	Catalogue No.	K	Total K	Grade	Remarks
1		7.35.1 9.4.2.2 9.1.2.2 9.1.2.4	23 7 6 10	46		
2		7.3.3 9.1.3.2	6 4	10		
3		8.1.1 9.1.5.1	13 2	15		
4		5.1.1 9.1.5.1	17 2	19		
5		8.42.1 9.1.3.4 9.4.4.2	10 8 5	23		
6		8.3.1 9.1.1.1	15 6	21		
7		1.6.1 9.1.1.1	10 6	16		
8		1.1.1 9.4.3.4	2 11	13		
9		7.2.1 9.1.3.2	6 4	10		

<b>Presentation</b>	<b>8</b>	
---------------------	----------	--

FIGURE TOTAL K =	<b>173</b>
------------------	------------

INCLUDING PRESENTATION =	<b>181</b>
--------------------------	------------

Aircraft Type:

FREE PROGRAM CHECKED BY:

Signature:	Printed Name:	Date:
		IAC No.

Judge
Name
Number



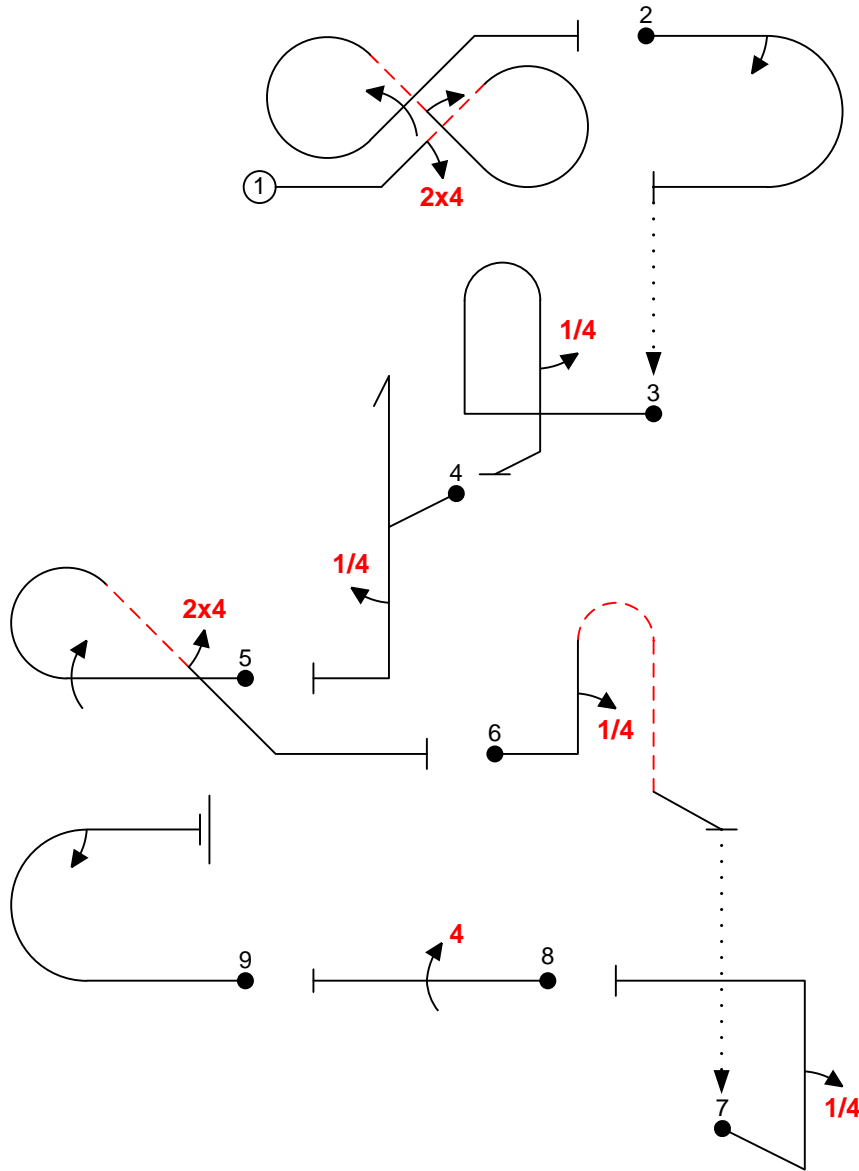
pilot



<b>B</b>	Contest:	Category: <b>Intermediate</b>
Date:	Program: <b>Unknown</b>	Pilot's No. <input type="text"/>

wind direction

Pilot:



A/C:

(signature/date)

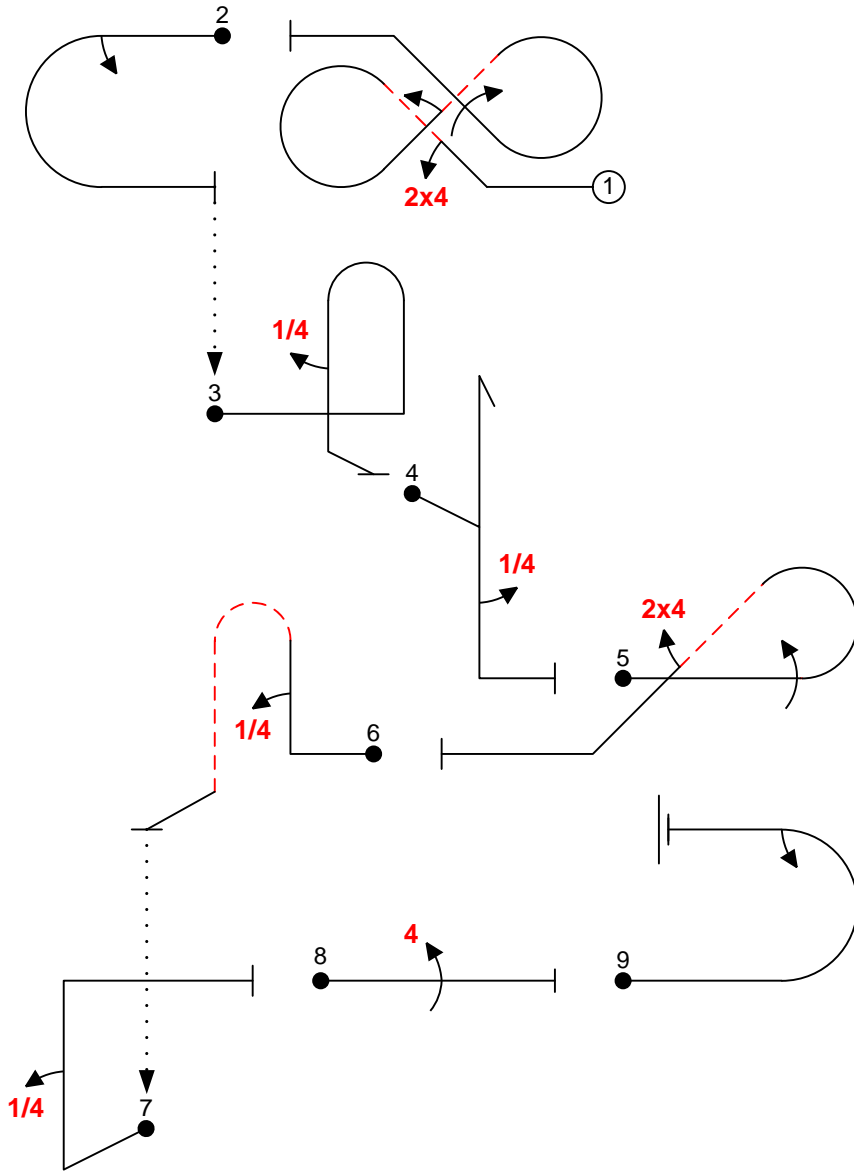
FREE PROGRAM CHECK BY:



<b>C</b>	Contest:	Category: <b>Intermediate</b>
Date:	Program: <b>Unknown</b>	Pilot's No. <input type="text"/>

Pilot: \_\_\_\_\_

wind direction



A/C: \_\_\_\_\_

(signature/date)

FREE PROGRAM CHECK BY: \_\_\_\_\_