

INTERNATIONAL AEROBATIC CLUB SCORESHEET

A

Contest:	Date:	Category: Intermediate	Programme: Unknown	pilot's number	
----------	-------	----------------------------------	------------------------------	----------------	--

No	Symbol	Catalogue No.	K	Total K	Grade	Remarks
1		8.65.1	12	12		
2		1.39.1 9.1.4.2 9.1.1.1	21 4 6	31		
3		5.1.1 9.1.5.1	17 2	19		
4		1.2.1 9.1.2.4	7 10	17		
5		2.2.1	4	4		
6		8.40.3 9.11.1.4 9.4.3.2	13 5 5	23		
7		7.21.3 9.1.4.2	14 4	18		
8		7.2.1 9.1.3.2	6 4	10		
9		1.1.1 9.9.3.4	2 11	13		
10		8.42.1 9.4.4.2	10 5	15		
11		7.5.1	10	10		

Presentation **8**

FIGURE TOTAL K = **172**

INCLUDING PRESENTATION = **180**

Aircraft Type:

FREE PROGRAM CHECKED BY:

Signature:	Printed Name:	Date:
		IAC No.

Judge
Name
Number



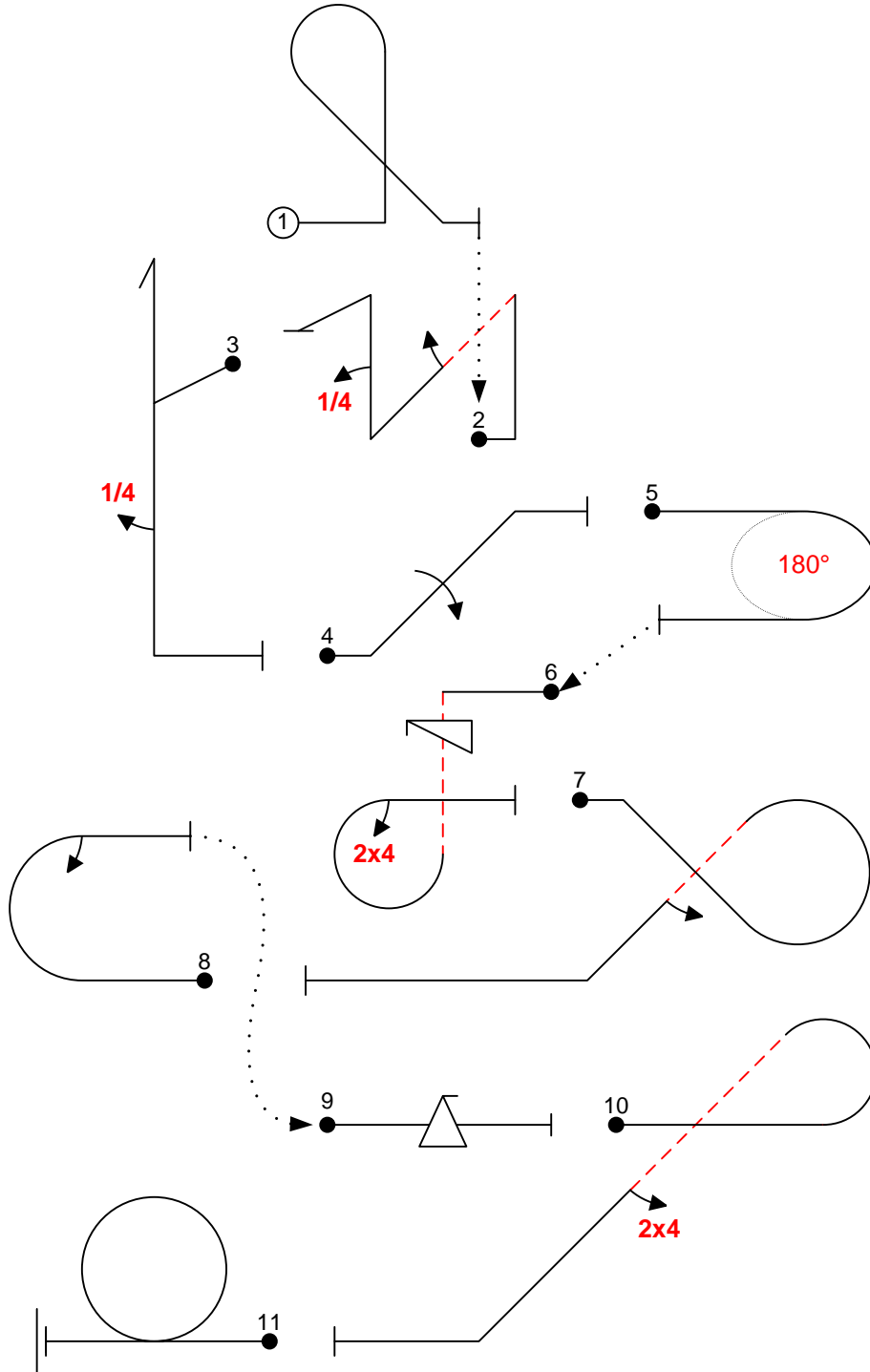
pilot



B	Contest:	Category: Intermediate
Date:	Program: Unknown	Pilot's No. <input type="text"/>

wind direction

Pilot:



A/C:

(signature/date)

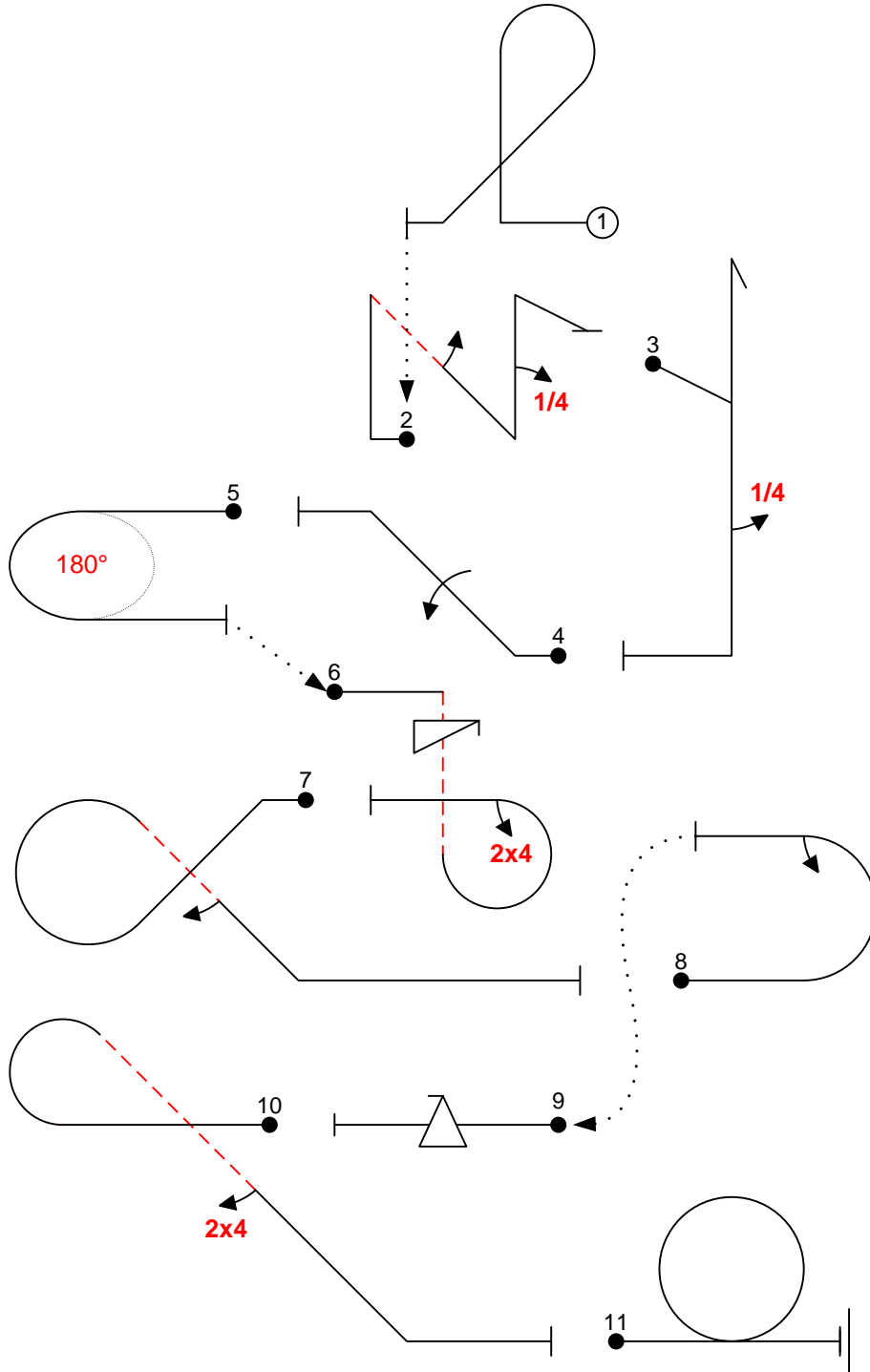
FREE PROGRAM CHECK BY:



C	Contest:	Category: Intermediate
Date:	Program: Unknown	Pilot's No. <input type="text"/>

Pilot: _____

wind direction



A/C: _____

FREE PROGRAM CHECK BY: (signature/date) _____

FREE PROGRAM CHECK BY: (signature/date) _____