

INTERNATIONAL AEROBATIC CLUB SCORESHEET

A	Contest:	Date:	Category: Intermediate	Programme: Unknown	pilot's number	

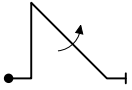
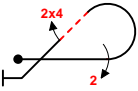
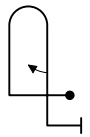
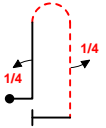
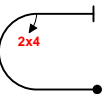
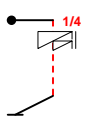
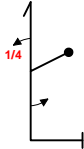
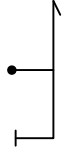
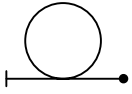
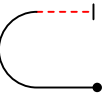
No	Symbol	Catalogue No.	K	Total K	Grade	Remarks	Item	K	Score
1		1.17.1 9.1.4.4	14 8	22			Presentation	8	
2		8.42.1 9.2.3.4 9.4.4.2	10 9 5	24					
3		8.1.1 9.1.5.2	13 4	17					
4		8.3.1 9.1.1.1 9.1.5.1	15 6 2	23					
5		7.2.1 9.4.3.2	6 5	11					
6		1.6.3 9.11.1.5	10 4	14					
7		5.1.1 9.1.1.1 9.1.5.2	17 6 4	27					
8		5.1.1	17	17					
9		7.5.1	10	10					
10		7.1.1	6	6					

FIGURE TOTAL K = **171**

INCLUDING PRESENTATION = **179**

Aircraft Type:

FREE PROGRAM CHECKED BY:

Signature:	Date:
	IAC No.

Judge
Name
Number



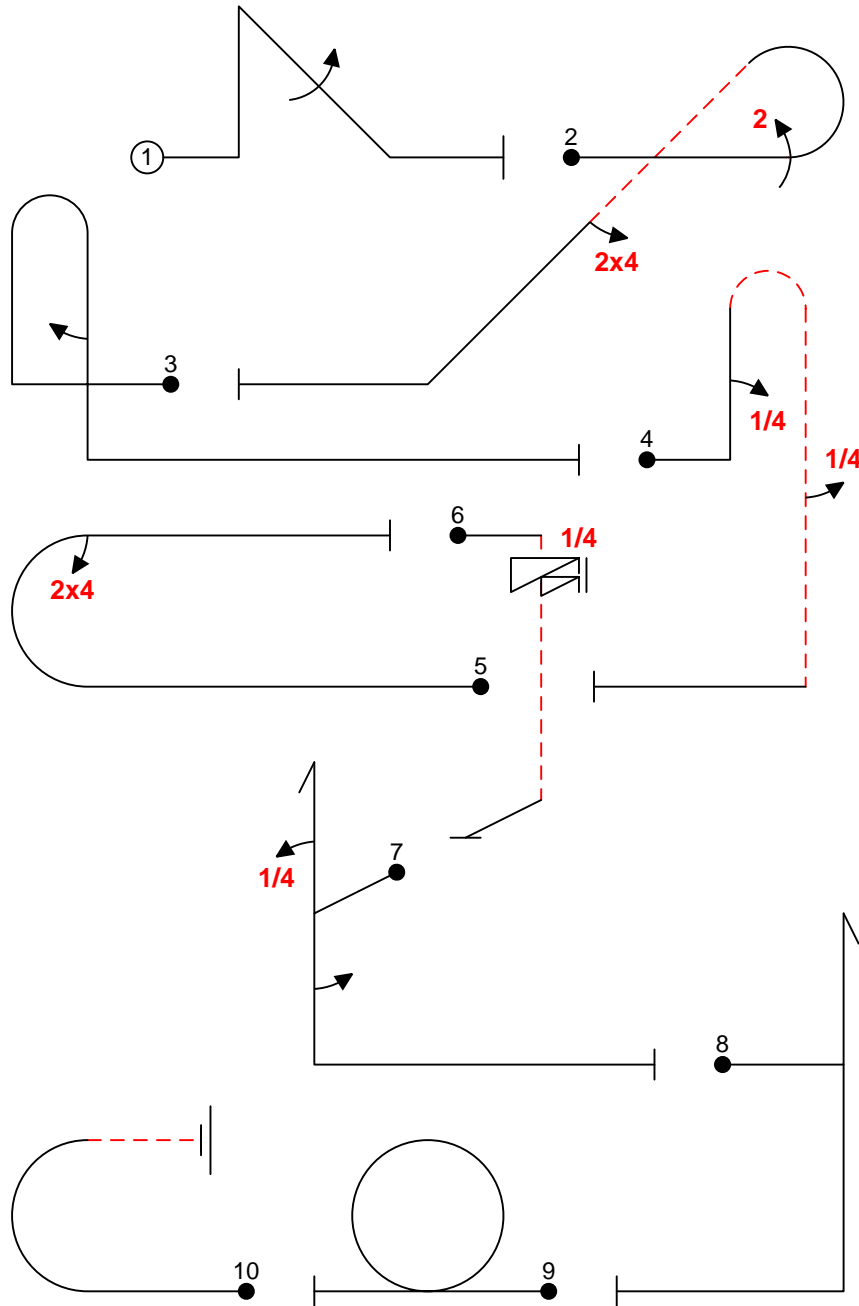
pilot



B	Contest:	Category: Intermediate
Date:	Program: Unknown	Pilot's No. <input type="text"/>

wind direction

Pilot:



A/C:

(signature/date)

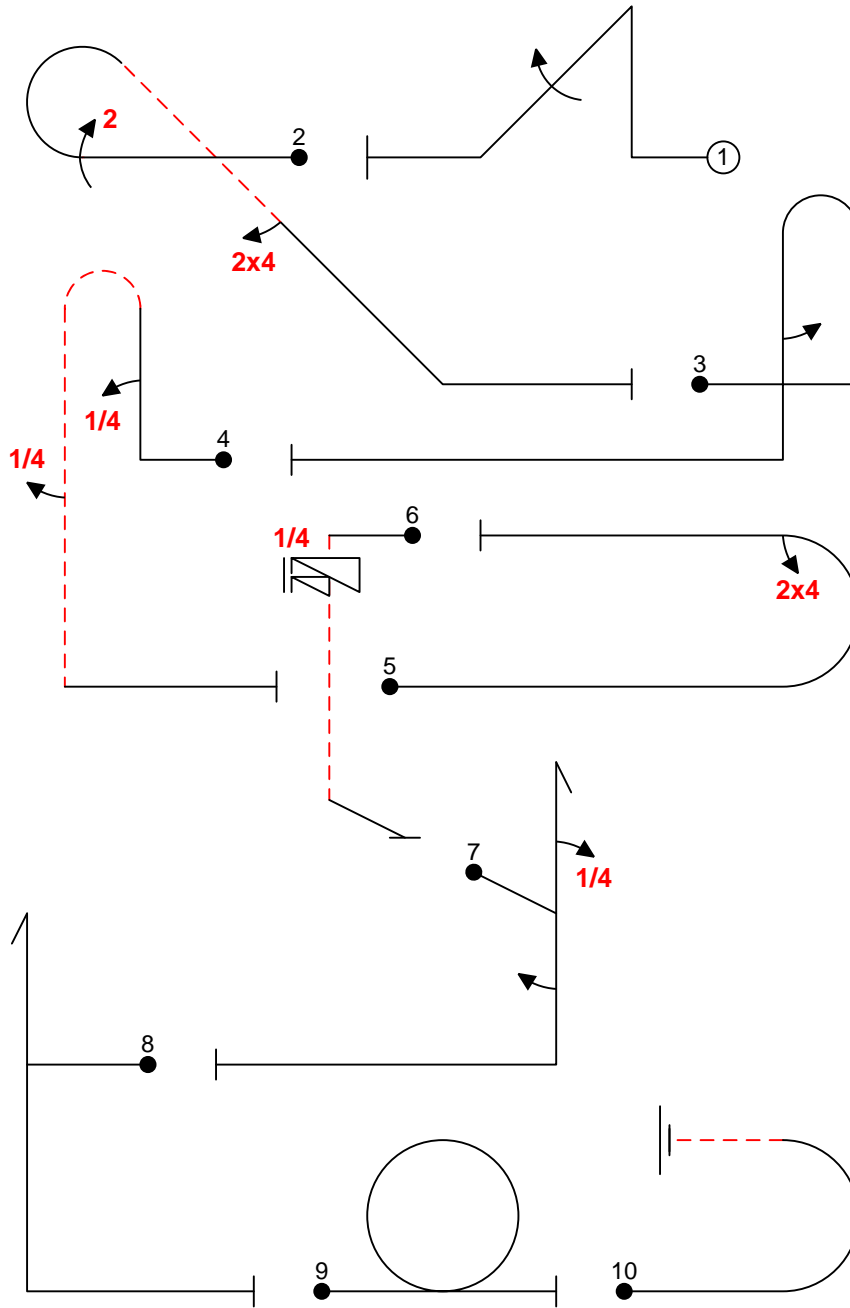
FREE PROGRAM CHECK BY:



C	Contest:	Category: Intermediate
Date:	Program: Unknown	Pilot's No. <input type="text"/>

wind direction

Pilot:



A/C:

(signature/date)

FREE PROGRAM CHECK BY: