

INTERNATIONAL AEROBATIC CLUB SCORESHEET

A	Contest:	Date:	Category: Intermediate	Programme: Unknown	pilot's number	

No	Symbol	Catalogue No.	K	Total K	Grade	Remarks
1		1.40.3 9.11.1.6 9.1.2.4	23 3 10	36		
2		8.15.1 9.1.2.2	12 6	18		
3		1.31.1 9.4.2.2 9.1.2.2	18 7 6	31		
4		1.1.4 9.8.3.2	2 7	9		
5		7.3.3 9.1.3.2	6 4	10		
6		5.1.1 9.1.5.1	17 2	19		
7		1.6.1 9.1.1.1	10 6	16		
8		2.2.1	4	4		
9		7.2.1 9.1.3.2	6 4	10		
10		1.2.3 9.9.4.4	7 11	18		
11		2.2.3	3	3		

Item	K	Score
Presentation	8	

FIGURE TOTAL K = 174

INCLUDING PRESENTATION = 182

Aircraft Type:

FREE PROGRAM CHECKED BY:

Signature:	Date:
	IAC No.

Judge
Name
Number

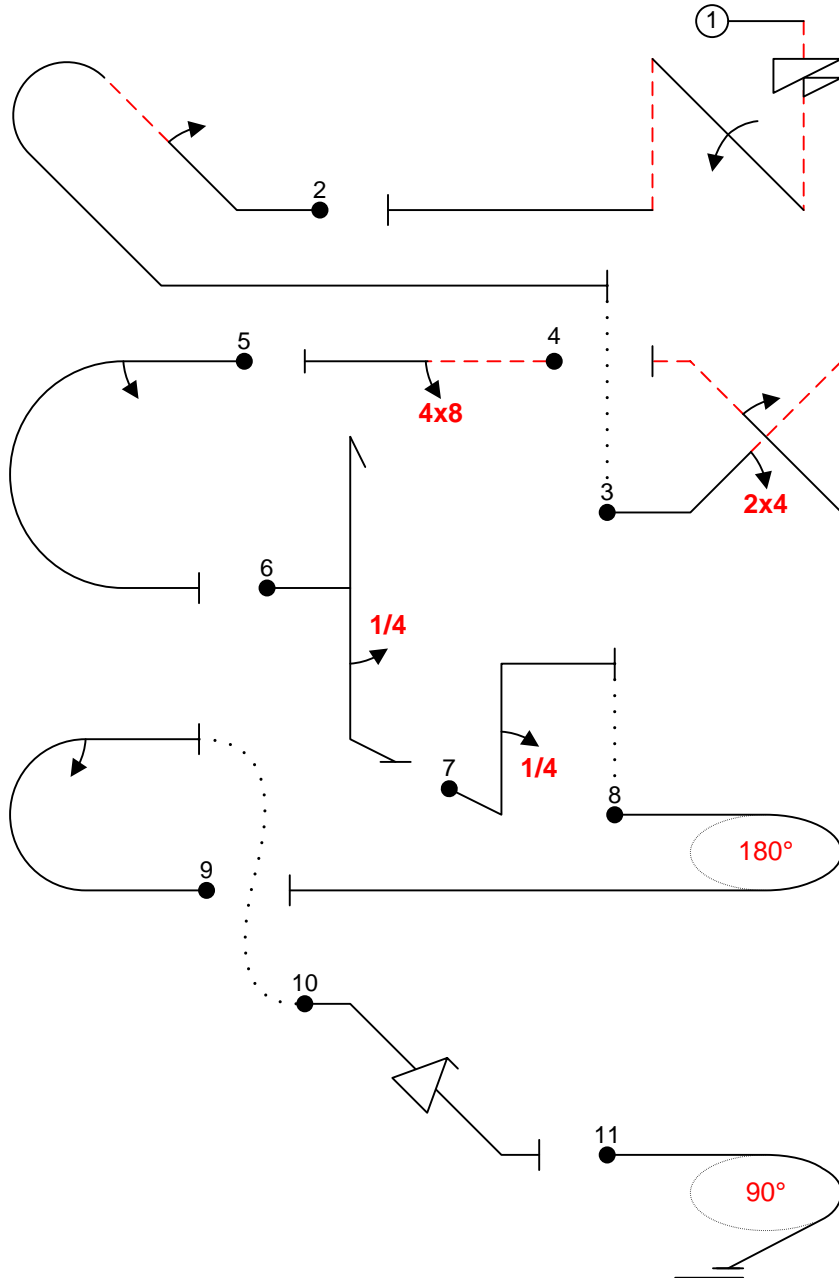




B	Contest:	Category: Intermediate
Date:	Program: Unknown	Pilot's No. <input type="text"/>

wind direction

Pilot:



A/C:

(signature/date)

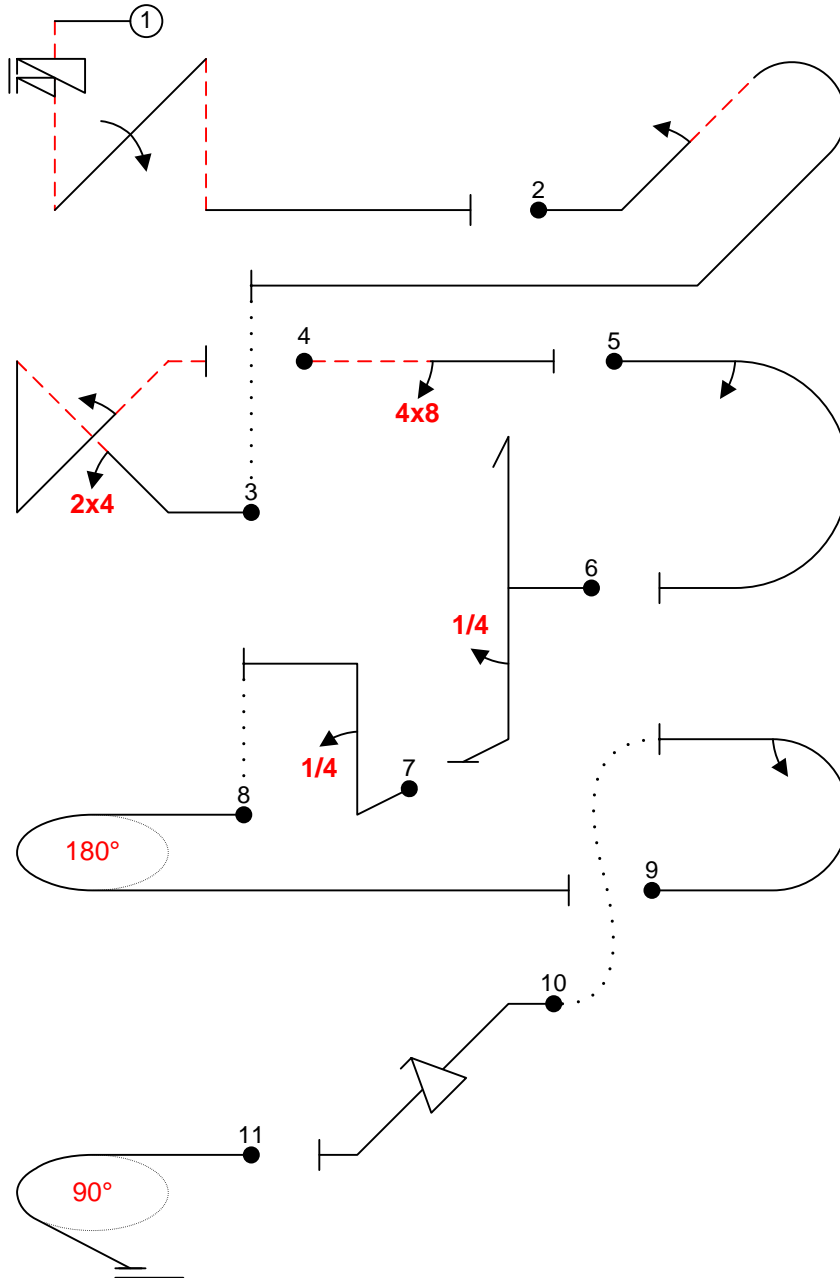
FREE PROGRAM CHECK BY:



C	Contest:	Category: Intermediate
Date:	Program: Unknown	Pilot's No. <input type="text"/>

wind direction

Pilot: _____



A/C: _____

(signature/date)

FREE PROGRAM CHECK BY: _____