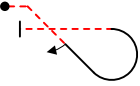
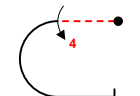
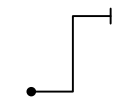
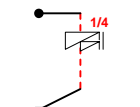
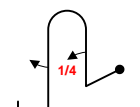
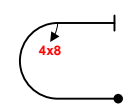
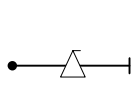

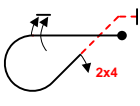
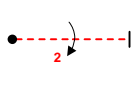


**INTERNATIONAL AEROBATIC CLUB SCORESHEET**

|          |          |       |                                  |                              |                |  |
|----------|----------|-------|----------------------------------|------------------------------|----------------|--|
| <b>A</b> | Contest: | Date: | Category:<br><b>Intermediate</b> | Programme:<br><b>Unknown</b> | pilot's number |  |
|          |          |       |                                  |                              |                |  |

| No | Symbol  | Catalogue No.                | K             | Total K | Grade | Remarks |
|----|---|------------------------------|---------------|---------|-------|---------|
| 1  |    | 8.32.4<br>9.1.4.2            | 11<br>4       | 15      |       |         |
| 2  |    | 7.1.4<br>9.4.3.4             | 6<br>11       | 17      |       |         |
| 3  |    | 1.6.1                        | 10            | 10      |       |         |
| 4  |    | 1.6.3<br>9.11.1.5            | 10<br>4       | 14      |       |         |
| 5  |   | 8.1.1<br>9.1.1.1<br>9.1.5.2  | 13<br>6<br>4  | 23      |       |         |
| 6  |  | 7.2.1<br>9.8.3.2             | 6<br>7        | 13      |       |         |
| 7  |  | 1.1.1<br>9.9.3.4             | 2<br>11       | 13      |       |         |
| 8  |  | 8.59.3<br>9.1.4.2            | 15<br>4       | 19      |       |         |
| 9  |  | 8.48.3<br>9.1.3.6<br>9.4.2.2 | 11<br>10<br>7 | 28      |       |         |
| 10 |  | 1.1.2<br>9.2.3.4             | 3<br>9        | 12      |       |         |

|                     |          |  |
|---------------------|----------|--|
| <b>Presentation</b> | <b>8</b> |  |
|---------------------|----------|--|

|                          |            |
|--------------------------|------------|
| FIGURE TOTAL K =         | <b>164</b> |
| INCLUDING PRESENTATION = | <b>172</b> |

Aircraft Type:

**FREE PROGRAM CHECKED BY:**

|            |       |
|------------|-------|
| Signature: | Date: |
| IAC No.    |       |

|        |  |
|--------|--|
| Judge  |  |
| Name   |  |
| Number |  |



Created Using Aresti 2009™ software. ACCassidy@aol.com

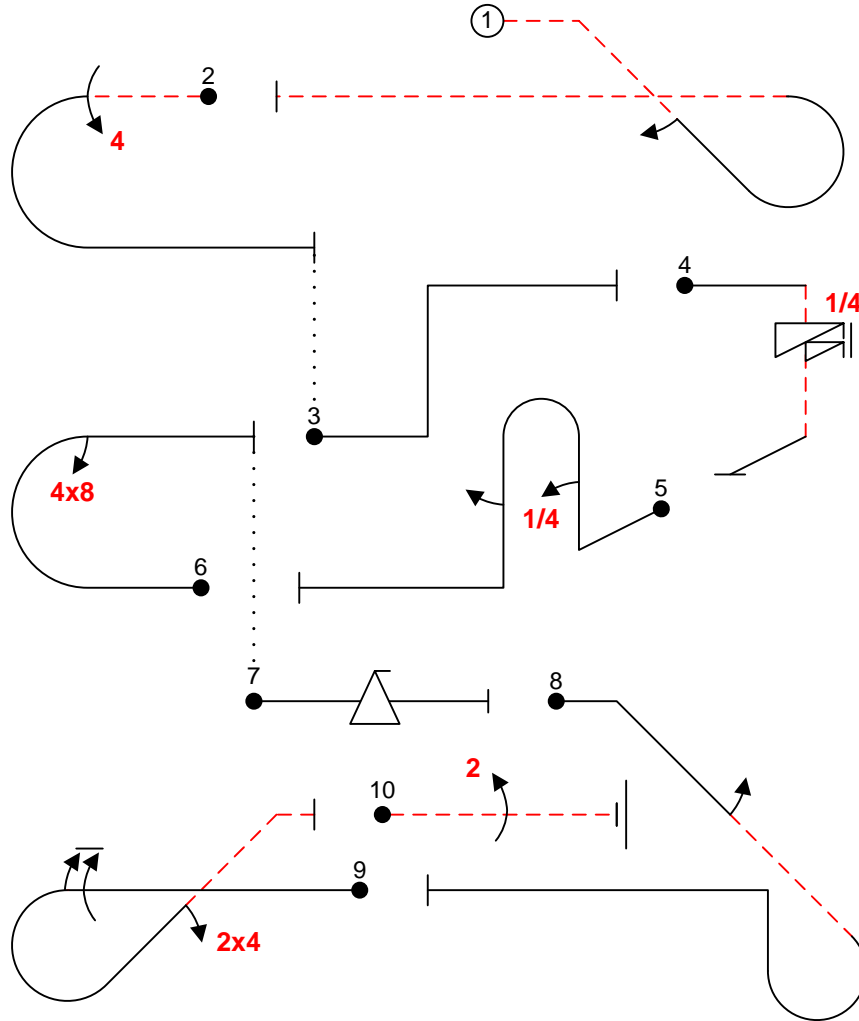
pilot



|          |                         |                                  |
|----------|-------------------------|----------------------------------|
| <b>B</b> | Contest:                | Category: <b>Intermediate</b>    |
| Date:    | Program: <b>Unknown</b> | Pilot's No. <input type="text"/> |

wind direction

Pilot:



A/C:

(signature/date)

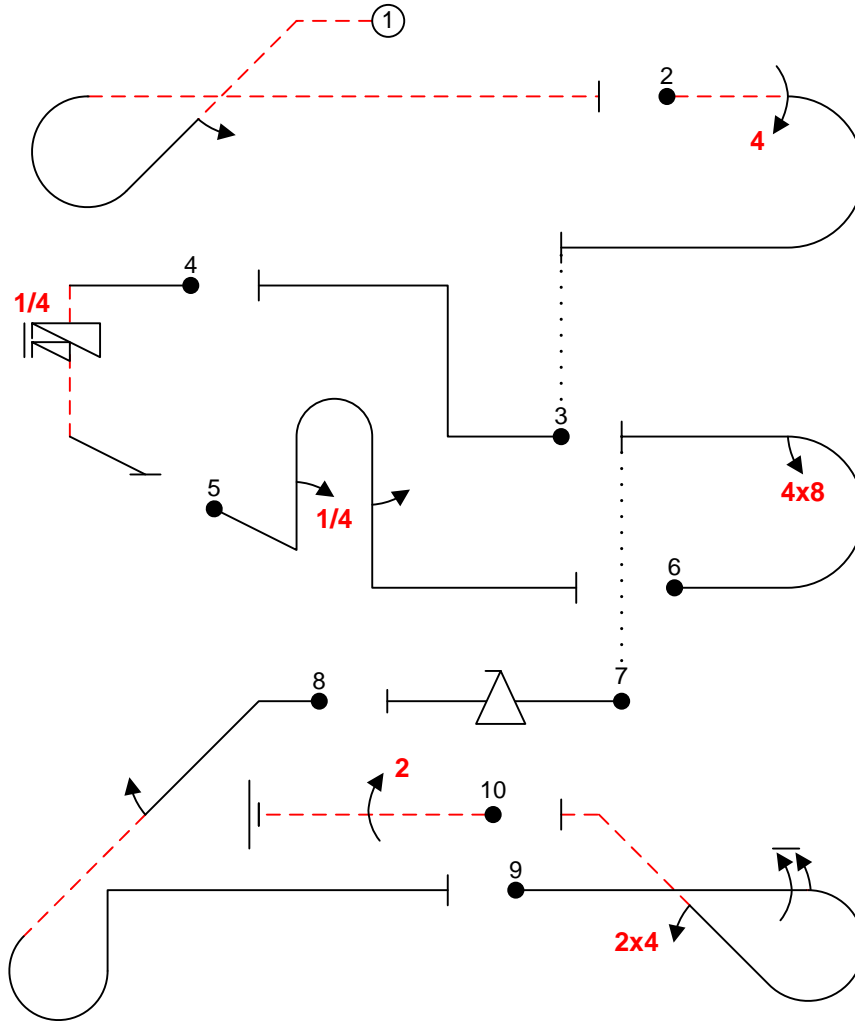
FREE PROGRAM CHECK BY:



|          |                         |                                  |
|----------|-------------------------|----------------------------------|
| <b>C</b> | Contest:                | Category: <b>Intermediate</b>    |
| Date:    | Program: <b>Unknown</b> | Pilot's No. <input type="text"/> |

wind direction

Pilot:



A/C:

(signature/date)

FREE PROGRAM CHECK BY: