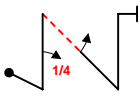
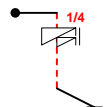
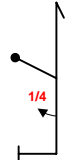
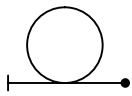
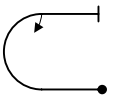
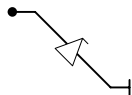
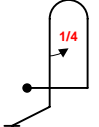

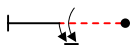


INTERNATIONAL AEROBATIC CLUB SCORESHEET

| | | | | | | |
|----------|----------|-------|----------------------------------|------------------------------|----------------|--|
| A | Contest: | Date: | Category: Intermediate | Programme: Unknown | pilot's number | |
| | | | | | | |

| No | Symbol | Catalogue No. | K | Total K | Score | Remarks |
|----|---|------------------------------|--------------|---------|-------|---------|
| 1 |  | 1.39.1 9.1.1.1 9.1.4.2 | 21 6 4 | 31 | | |
| 2 |  | 1.6.3 9.11.1.5 | 10 4 | 14 | | |
| 3 |  | 5.1.1 9.1.5.1 | 17 2 | 19 | | |
| 4 |  | 7.5.1 | 10 | 10 | | |
| 5 |  | 7.2.1 9.1.3.2 | 6 4 | 10 | | |
| 6 |  | 1.2.3 9.9.4.4 | 7 11 | 18 | | |
| 7 |  | 8.1.1 9.1.5.1 | 13 2 | 15 | | |
| 8 |  | 1.7.1 9.1.1.1 | 9 6 | 15 | | |
| 9 |  | 1.1.4 9.1.3.6 | 2 10 | 12 | | |

| | | |
|---------------------|----------|-------|
| Item | K | Score |
| Presentation | 8 | |

FIGURE TOTAL K =

INCLUDING PRESENTATION =

Aircraft Type:

FREE PROGRAM CHECKED BY:

| | |
|------------|---------|
| Signature: | Date: |
| | IAC No. |

| |
|--------|
| Judge |
| Name |
| Number |



pilot

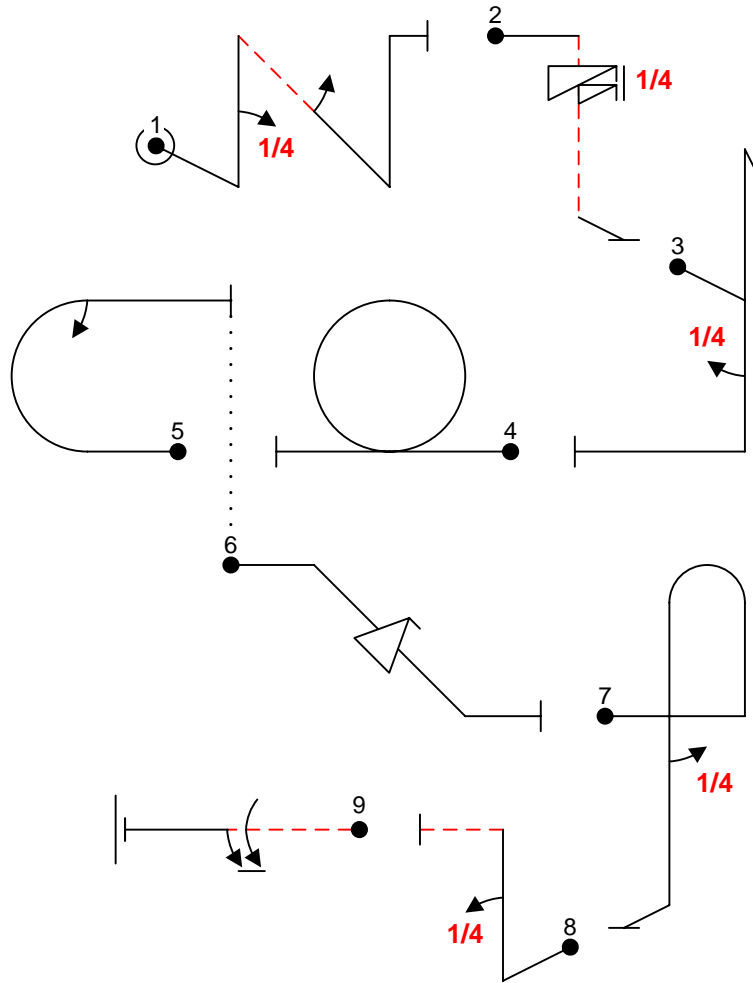


| | | |
|----------|-------------------------|----------------------------------|
| B | Contest: | Category: Intermediate |
| Date: | Program: Unknown | Pilot's No. <input type="text"/> |

wind direction

Pilot:

NOTE Y AXIS ENTRY



A/C:

(signature/date)

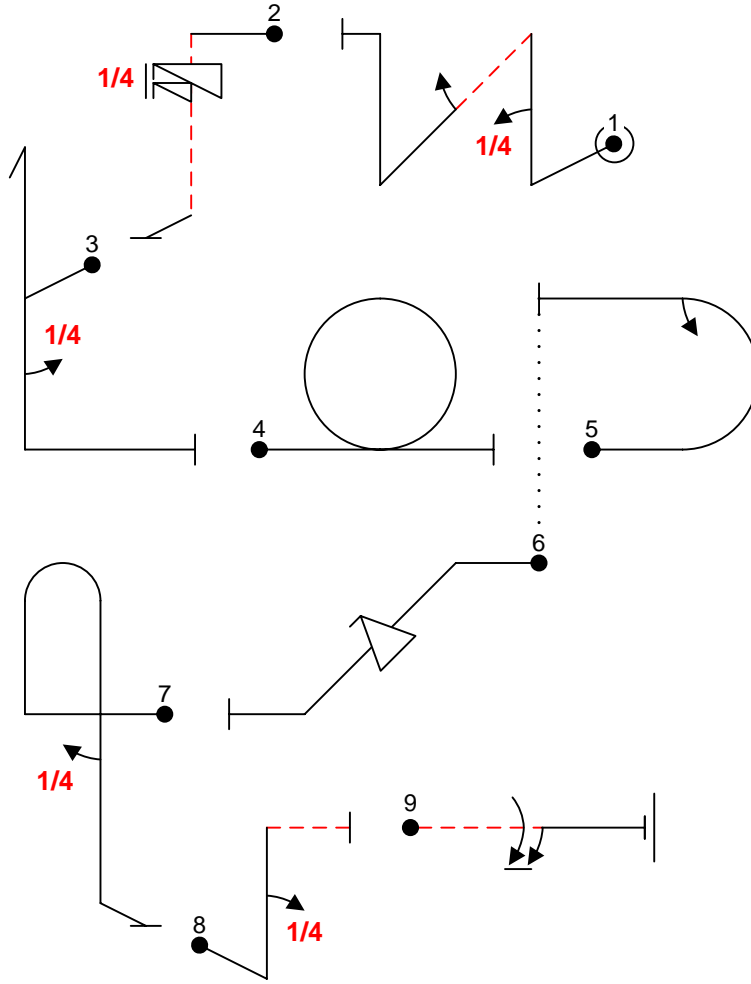
FREE PROGRAM CHECK BY:



| | | |
|----------|-------------------------|----------------------------------|
| C | Contest: | Category: Intermediate |
| Date: | Program: Unknown | Pilot's No. <input type="text"/> |

wind direction

NOTE Y AXIS ENTRY



Pilot: _____

A/C: _____

(signature/date)

FREE PROGRAM CHECK BY: _____